



Benner-Nawman, Inc.

3450 Sabin Brown Road • Wickenburg, Arizona 85390

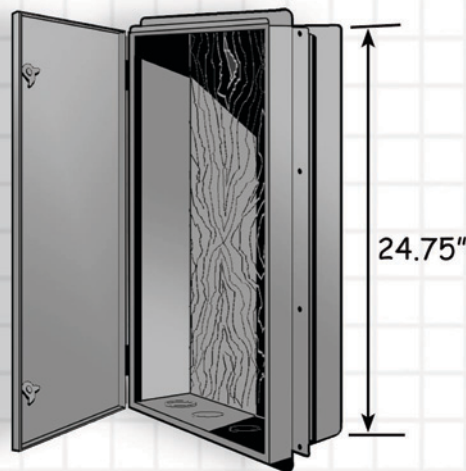
(800) 992-3833 • (928) 684-2813 • Fax: (928) 684-7041 • mail@bnproducts.com

Exterior Semi-Recessed Boxes and Enclosures



Listed

Specification Information
Enclosure Type: 1130W-UL
This Pre-Wire Box Measures: 14-3/4" Wide x 24-3/4" Tall x 5-1/2" Deep



- Includes a 1/2" plywood backboard for easy mounting of utility equipment
- Reinforced hinged door that locks with a standard can wrench
- Made of 16-gauge, zinc-coated steel (powder coat tan finish)
- Available with an optional 4-position, #4-14 wire ground bar
- "COMMUNICATIONS" is embossed on the door
- UL-Listed (UL1863), designed to NEMA 3R
- Identical knockouts on both top and bottom
- Fully enclosed with knockouts
- Box weight: 30 lbs.

