



Benner-Nawman, Inc.

3450 Sabin Brown Road • Wickenburg, Arizona 85390

(800) 992-3833 • (928) 684-2813 • Fax: (928) 684-7041 • mail@bnproducts.com

Exterior Surface Mounted Enclosures

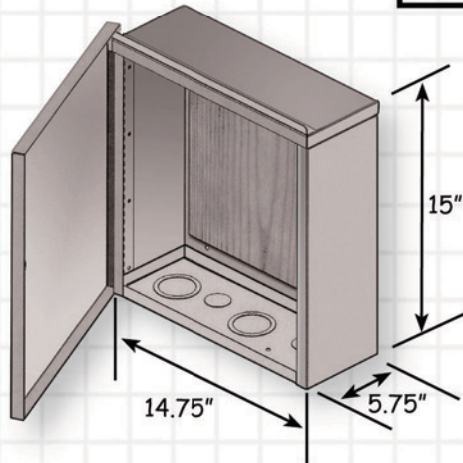


Listed

Specification Information

Enclosure Type: 14155W-UL

This Pre-Wire Box Measures:
14-3/4" Wide x 15" Tall x 5-3/4" Deep



Optional Brackets for recessed mount

- Includes 2 knockouts 2" to 2-1/2" (for 1-3/4" to 2-1/4" conduit) & 3 knockouts 1-3/8" (for 1-1/4" conduit)
- Includes a 3/4" plywood backboard & 4-position, #4-14 wire ground bar mounted inside
- Made of 16-gauge(door) & 18-gauge(body), zinc-coated steel (powder coat tan finish)
- Optional brackets are available for recessed application (shown above)
- Reinforced hinged lid with 7/16" recessed hex latch
- No markings on the cover, labels are available
- UL-Listed (UL1863), designed to NEMA 3R
- Box weight: 18 lbs.

