



Benner-Nawman, Inc.

3450 Sabin Brown Road • Wickenburg, Arizona 85390

(800) 992-3833 • (928) 684-2813 • Fax: (928) 684-7041 • mail@bnproducts.com

Structured Wiring and Indoor Service Cabinets

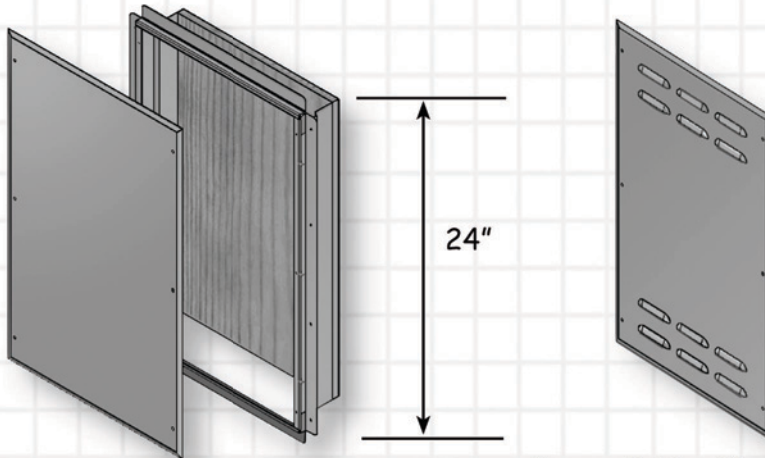


Listed

Specification Information

Enclosure Type: 14244W-IDW

This Pre-Wire Box Measures:
14" Wide x 24" Tall x 4" Deep



Also available with a louvered lid
Enclosure No. 14244WLV-IDW

- Includes a 1/2" plywood backboard for easy mounting of utility/security/home theatre equipment
- The lid is fastened with 4 zinc-coated Phillips head sheet metal screws
- Made of 20-gauge galvaneal steel with a powder coat white finish
- Enclosure mounts prior to drywall between 16" center studs
- Lid comes blank w/ powder coat white finish
- Open top and bottom to the inside wall
- UL-Listed (UL1863)
- Box weight: 16 lbs.

