



# Benner-Nawman, Inc.

3450 Sabin Brown Road • Wickenburg, Arizona 85390

(800) 992-3833 • (928) 684-2813 • Fax: (928) 684-7041 • mail@bnproducts.com

## Structured Wiring and Indoor Service Cabinets

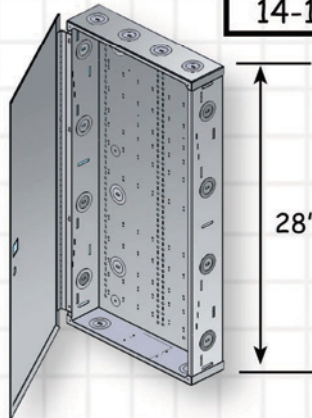


Listed

### Specification Information

**Enclosure Type: 14284-MMH**

This Pre-Wire Box Measures:  
14-1/4" Wide x 28" Tall x 4" Deep



- Includes mounting screws, grommets, instruction sheet & cardboard overspray shield
- Made of 18-gauge (door) & 20-gauge (body), zinc-coated steel (powder coat white finish)
- Features a universal mounting pattern which accepts most major brands of modules
- Enclosure mounts prior to drywall between 16" center studs (mounting slots on side)
- Includes knockouts on all four sides and back, AC knockout on the bottom
- Depth marks on the side of the body
- Includes a hinged door
- UL-Listed (UL1863)
- Box weight: 17 lbs.

