



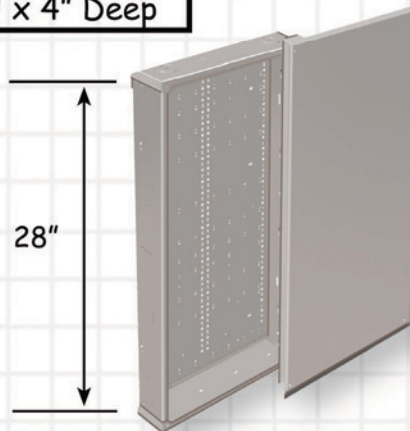
Benner-Nawman, Inc.

3450 Sabin Brown Road • Wickenburg, Arizona 85390

(800) 992-3833 • (928) 684-2813 • Fax: (928) 684-7041 • mail@bnproducts.com

Specification Information
Enclosure Type: 14284-MM
This Pre-Wire Box Measures: 14-1/4" Wide x 28" Tall x 4" Deep

**Structured Wiring and
Indoor Service Cabinets**



- Includes mounting screws, grommets, instruction sheet & cardboard overspray shield
- Made of 18-gauge (lid) & 20-gauge (body), zinc-coated steel (powder coat white finish)
- Features a universal mounting pattern which accepts most major brands of modules
- Enclosure mounts prior to drywall between 16" center studs (mounting slots on side)
- Includes knockouts on all four sides and back, AC knockout on the bottom
- Depth marks on the side of the body
- Includes a screw-on lid
- UL-Listed (UL1863)
- Box weight: 17 lbs.

