



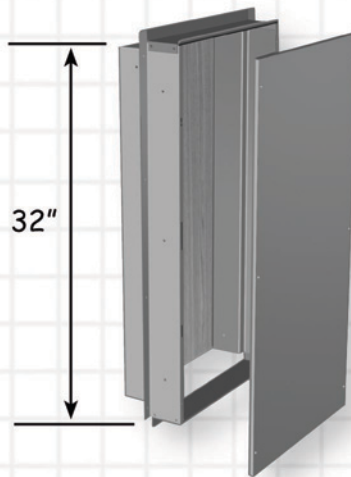
Benner-Nawman, Inc.

3450 Sabin Brown Road • Wickenburg, Arizona 85390

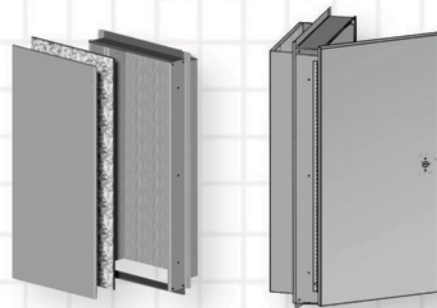
(800) 992-3833 • (928) 684-2813 • Fax: (928) 684-7041 • mail@bnproducts.com

Specification Information
Enclosure Type: 14326W-UL
This Pre-Wire Box Measures: 14" Wide x 32" Tall x 6-1/2" Deep

Exterior Semi-Recessed Boxes and Enclosures



- Includes a 1/2" plywood backboard for easy mounting of utility equipment
- Fully enclosed lid fastened w/ 4 zinc-coated Phillips sheet metal screws
- Made of 18-gauge, zinc-coated steel (powder coat tan finish)
- "COMMUNICATIONS" embossed on the cover
- UL-Listed (UL1863), designed to NEMA 3R
- Includes a 4-position, #4-14 wire ground bar
- Enclosure mounts between 16" center studs
- Open top and bottom to the inside wall
- Box weight: 26 lbs.



Also available with an insulated or hinged lid.
14326WIN-UL 14326WH-UL

