



# Benner-Nawman, Inc.

3450 Sabin Brown Road • Wickenburg, Arizona 85390

(800) 992-3833 • (928) 684-2813 • Fax: (928) 684-7041 • mail@bnproducts.com

## Exterior Surface Mounted Enclosures

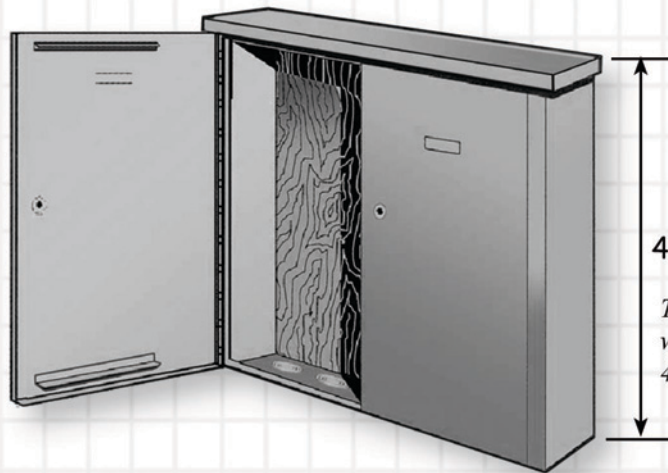


Listed

### Specification Information

**Enclosure Type: 48489W-UL**

This Pre-Wire Box Measures:  
48" Wide x 48" Tall x 9" Deep



48"

*This enclosure is also available  
with a splice chamber  
48489WS-UL*

- Includes 3/4" plywood backboard & 4-position, #4-14 wire ground bar mounted inside
- Includes 2 knockouts 2-1/2" to 3-1/2" (for 2" to 3" conduit) & 10 knockouts 1-3/8" to 1-3/4" (for 1" to 1-1/2" conduit)
- Made of 14-gauge zinc-coated steel w/ a desert tan powder coat finish
- Reinforced hinged lid with 7/16" recessed hex latch
- "COMMUNICATIONS" embossed on the cover
- UL-Listed (UL1863), designed to NEMA 3R
- Includes 2 J-hooks for mounting
- Box weight: 190 lbs.

