



Benner-Nawman, Inc.

3450 Sabin Brown Road • Wickenburg, Arizona 85390

(800) 992-3833 • (928) 684-2813 • Fax: (928) 684-7041 • mail@bnproducts.com

Exterior Semi-Recessed Boxes and Enclosures

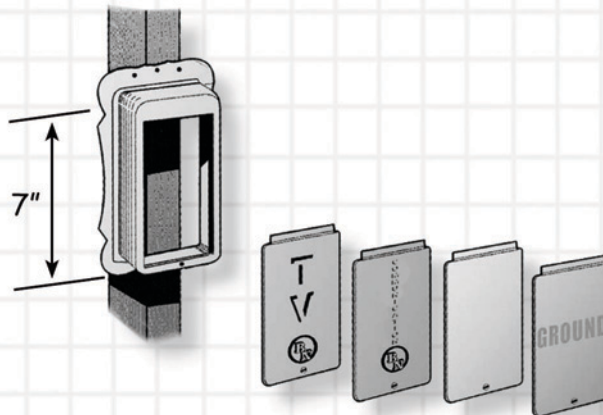


Listed

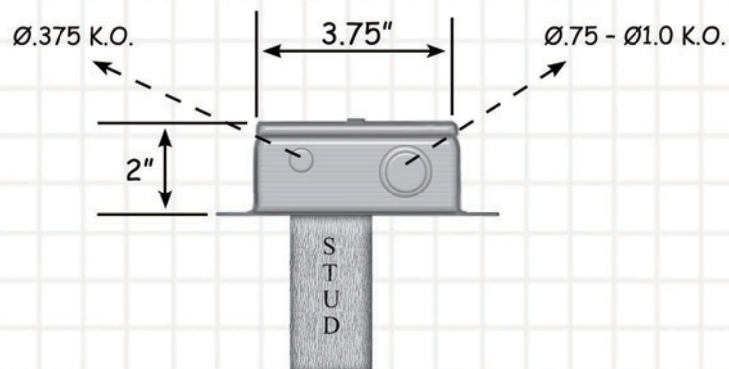
Specification Information

Enclosure Type: 900, 900TV, 900X, 900G

This Pre-Wire Box Measures:
3-3/4" Wide x 7" Tall x 2" Deep



- "COMMUNICATION" or "TV" embossed lid, blank lid available. "GROUND" or "SATELLITE" labels are also available
- Includes 3/8" knockout & 3/4" - 1" knockout
- Open back for easy wiring and access
- Nail or screw to studs on 16" centers
- Made of 24-gauge, galvanized steel
- Lid is secured with a slotted screw
- Ships out 50 units per carton
- Box weight: 8.96 oz.



Bottom View