



BN PRODUCTS-USA, LLC.

Quality Construction Tools

BNG9000 Parts Guide

9000 Watt-rated Gasoline Generator



The BNG9000 is an open-frame, gasoline-powered portable generator. This model features an automatic voltage regulator, key electric starter, fuel gauge, and a wheel & handle kit with never-flat tires. Standard safety features such as Automatic Shut-off, Low Oil Indicator, and covered receptacles are included.

BN Products-USA™

3450 Sabin Brown Road | Wickenburg, AZ 85390

(800) 992-3833 | WWW.BNPRODUCTS.COM

Rev 2/22/2022

BNG9000-parts-guide

Parts Breakdown | BNG9000 Generator

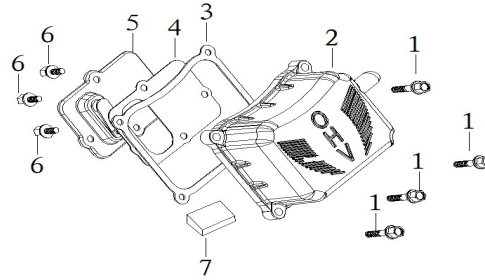
Generator Spare Parts List

Cylinder Head

(See Figure 1)

Figure 1 - Cylinder Head

Ref #	Part Number	Description	Qty
1	5787.06020.00.01	BOLT,6X20	4
2	T92.0001.001.00.00	CYLINDER HEAD COVER	1
3	T92.3000.001.00.00	GASKET, CYLINDER HEAD	1
4	T92.7061.002.00.00	PACKING, BREATHER CHAMBER	1
5	T92.7061.001.00.00	CAP,BREATHER CHAMBER	1
6	5787.05010.20.01	BOLT,FLANGE, 5×10	4
7	T92.7080.001.00.00	OIL STRAINER	1

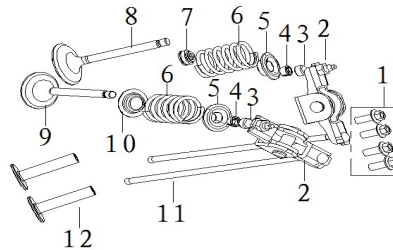


Carburetor Adjustment

(See Figure 2)

Figure 2 - Carburetor Adjustment

Ref #	Part Number	Description	Qty
1	5787.06012.00.01	BOLT,6X12	4
2	T92.0100.001.00.00	ROCKER ASS	2
3	188.0090.001.00.00	CAP,EXHAUST VALVE	2
4	T92.1120.001.00.00	VALVE COLLET	4
5	T92.0060.001.00.00	RETAINER, VALVE SPRING	2
6	T92.0040.001.00.00	SPRING, VALVE	2
7	188.0085.001.00.00	OIL SEAL, INTAKE VALVE	1
8	T92.0020.001.00.00	INTAKE VALVE	1
9	T92.0030.001.00.00	EXHAUST VALVE	2
10	188.0080.001.00.00	SPRING UNDER SEAT, EXHAUST V	2
11	T92.0160.002.00.00	PUSHER	2
12	188.1030.001.00.00	TAPPET	2

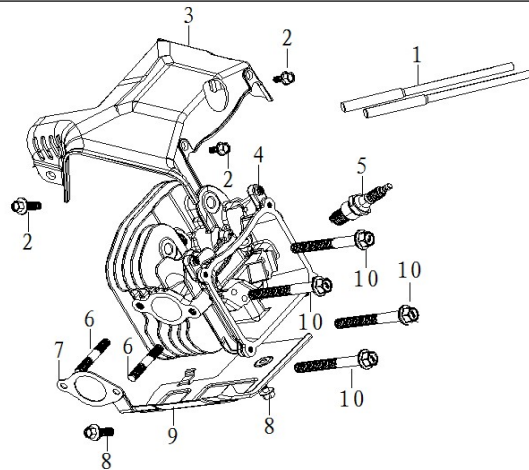


Cylinder Head Assembly

(See Figure 3)

Figure 3 - Cylinder Head Assembly

Ref #	Part Number	Description	Qty
1	0900.68105.00.01	STUD,INTAKE PORT	2
2	5787.06012.00.01	BOLT, 6×12	3
3	T92.2230.001.00.00	UPPER DRAFT HOOD	1
4	T92.0010.001.00.00	CYLINDER HEAD ASS	1
5	168.2160.004.00.00	SPARK PLUG	1
6	0900.08037.00.01	STUD,EXHAUST PORT	2
7	T92.3100.001.00.00	BAFFLE PLATE	1
8	5787.06008.00.01	PLATE BOLT	1
9	T92.2230.002.00.00	UNDER WIND GUIDE	1
10	5787.10080.05.01	BOLT, 10X1.25X80	4



Parts Breakdown | BNG9000 Generator

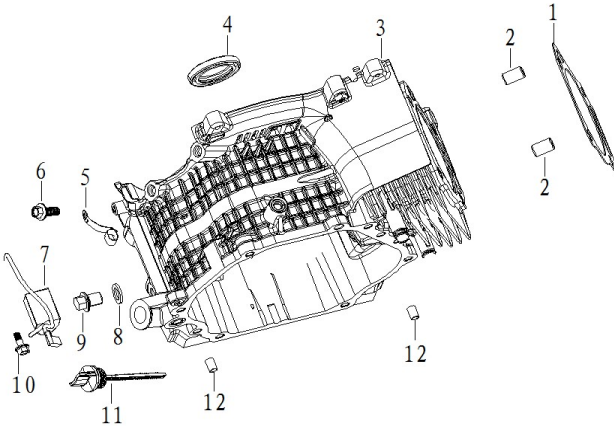
Generator Spare Parts List

Crank Case

(See Figure 4)

Figure 4 - Crank Case

Ref #	Part Number	Description	Qty
1	T92.3020.001.00.00	GASKET,CYLINDER HEAD	1
2	188.3170.002.00.00	SET PIN	2
3	T92.1000.001.00.00	CRANKCASE BODY	2
4	188.3150.002.00.00	OIL SEAL	1
5	188.1220.001.00.00	PRESSURE LINE BOARD	1
6	5787.06012.00.01	BOLT, 6×12	1
7	T92.0135.001.00.00	OIL SENSOR ASS MODULAR	1
8	188.1260.001.66.00	WASHER,DRAIN BOLT	1
9	188.1250.001.00.20	DRAIN BOLT	1
10	5787.06012.00.01	BOLT, 6×12	1
11	T92.1230.001.16.00	OIL GAUGE ASS	1
12	188.3170.001.00.00	SET PIN	2
13	T92.3130.001.00.00	O TYPE SEALING RING	1

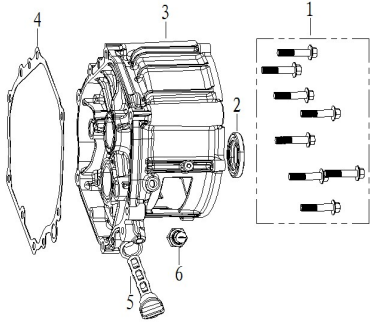


Crank Case Cover

(See Figure 5)

Figure 5 - Crank Case Cover

Ref #	Part Number	Description	Qty
1	5787.08042.00.01	BOLT, M8×42	7
2	188.3150.002.00.00	OIL SEAL 35×52×7	1
3	T92.1010.001.00.00	CASE COVER	1
4	T92.3040.001.00.00	CRANKCASE COVER	1
5	T92.1240.001.00.00	OIL FILTER PLUG	2
6	T92.1020.001.00.00	PRESSURE TRANSDUCER	1

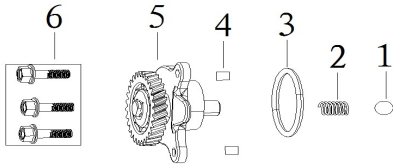


Crankshaft/Piston

(See Figure 6)

Figure 6 - Crankshaft/Piston - 1

Ref #	Part Number	Description	Qty
1	T92.1900.001.00.00	STEEL BALL	1
2	T92.1150.002.00.00	OIL PUMP VALVE SPRING	1
3	T92.3130.002.00.00	MODEL O RUBBER RING	1
4	188.3170.001.00.00	SET PIN	2
5	T92.6240.001.00.00	OIL PUMP ASSEMBLY	1
6	5787.06020.00.01	BOLT, M6×20	3

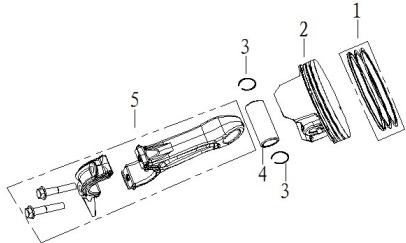


Crankshaft/Piston - 2

(See Figure 7)

Figure 7 - Crankshaft/Piston - 2

Ref #	Part Number	Description	Qty
1	T92.0210.001.00.00	PISTON RING ASS	1
2	T92.0200.001.00.00	PISTON	1
3	188.0230.001.00.00	CLI,PISTON PIN	2
4	T92.0220.001.00.00	PISTON PIN	1
5	T92.0190.001.00.00	CONNECTING ROD ASS	1



Parts Breakdown | BNG9000 Generator

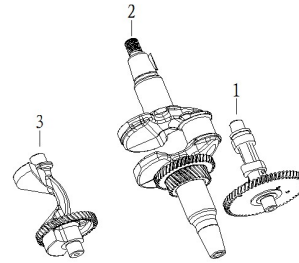
Generator Spare Parts List

Crankshaft/Piston - 3

(See Figure 8)

Figure 8 - Crankshaft/Piston - 3

Ref #	Part Number	Description	Qty
1	T92.1040.001.61.00	CAMSHAFT ASS	1
2	T92.0180.001.60.00	CRANKSHAFT	1
3	T92.1060.001.00.00	BALANCE SPINDLE	1

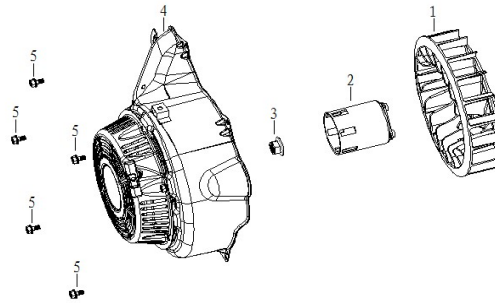


Starter Sub-Assembly

(See Figure 9)

Figure 9 - Starter Sub-Assembly

Ref #	Part Number	Description	Qty
1	T92.2030.001.63.00	FLYWHEEL FAN	1
2	T92.2020.001.00.00	STARTER SLEEVE	1
3	6177.16000.06.01	NUT,(M16X1.5)	1
4	T92.2000.070.Q7.00	RECOIL STARTER ASS.	1
5	5787.06012.00.01	BOLT, 6×10	5

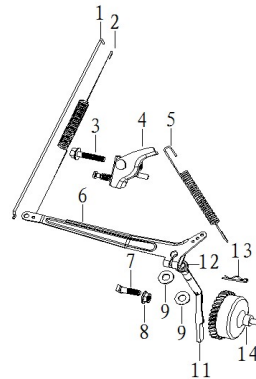


Control Adjustment

(See Figure 10)

Figure 10 - Control Adjustment

Ref #	Part Number	Description	Qty
1	T92.1140.001.00.00	PULLING ROD	1
2	T92.1160.001.00.00	FINE DAJUSTMENT SPRING	1
3	5787.06030.00.01	BOLT6×30	1
4	T92.1180.001.00.00	SPEED ADJUSTMENT BASE ASS.	1
5	T92.1150.001.00.00	RETURN SPRING	1
6	T92.1130.001.00.00	SPEED ADJUSTMENT ARM	1
7	168.1170.001.00.20	QUADRATEBOLT	1
8	6177.06000.00.01	NUT	1
9	188.1110.001.67.00	WASHER,SWAY BAR	2
10	T92.1100.001.00.00	ROD,GOVERNOR	1
11	188.3150.003.00.00	OIL SEAL,SWAY BAR	1
12	188.1120.001.00.00	SPLIT CLIP	1
13	T92.1070.001.00.00	CENTRIFUGAL GEAR ASS	1

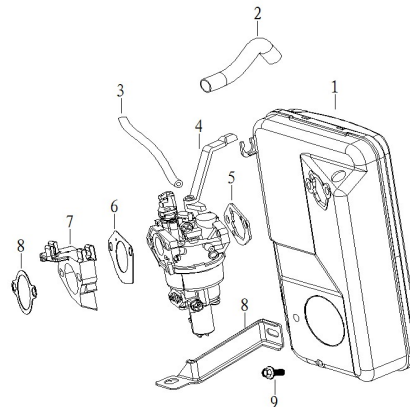


Carburetor

(See Figure 11)

Figure 11 - Carburetor

Ref #	Part Number	Description	Qty
1	T92.2280.001.00.00	AIR CLEANER ASS	1
2	T92.2370.001.00.00	AIR DUCK	1
3	188.2330.003.00.00	FUEL TUBE	1
4	T92.2260.002.00.00	CARBURETOR ASS	1
5	188.2340.001.00.00	STEEL GASKET	1
6	T92.3080.001.00.00	GASKET,CARBURETOR	1
7	T92.2300.002.00.00	BLOCK, CARBURETOR	1
8	T92.3060.001.00.00	GASKET,INLET PORT	1
9	T92.2290.001.00.00	SUPPORT,AIRCLEANER	1
10	5787.06012.00.01	BOLT	1



Parts Breakdown | BNG9000 Generator

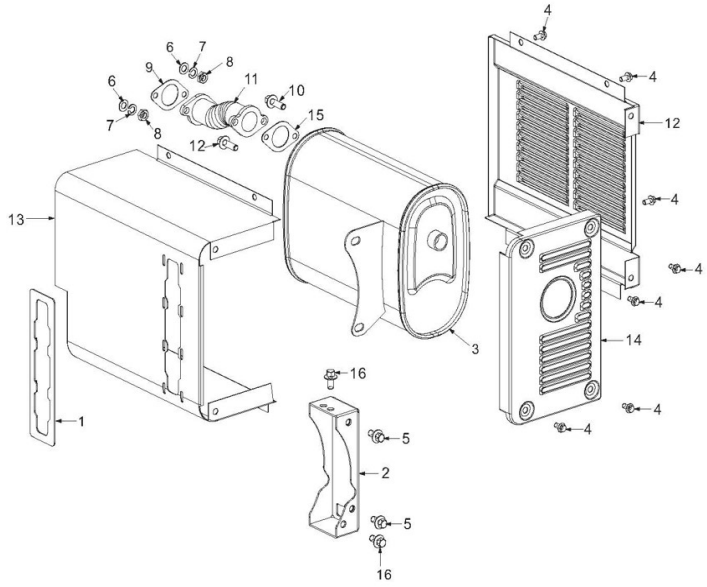
Generator Spare Parts List

Muffler Assembly

(See Figure 12)

Figure 12 - Muffler Assembly

Ref #	Part Number	Description	Qty
1	520.2450.001.00.00	ADIABATIC RUBBER GASKET	1
2	520.2440.001.20.00	MUFFLER SUPPORT	1
3	560.2400.008.00.00	MUFFLER SUPPORT	1
4	5787.06012.00.01	BOLT	7
5	5787.08016.00.01	BOLT	2
6	0097.08000.00.01	WASHER	2
7	0093.08000.00.01	SPRING WASHER	2
8	6170.08000.00.01	NUT	2
9	T92.3100.001.00.00	GASKET - EXHAUST PORT	1
10	5787.08025.00.01	BOLT	2
11	T92.2410.002.00.00	EXHAUST PIPE	1
12	520.2430.001.D7.00	OUTSIDE MUFFLER PROTECTOR	1
13	560.2425.001.D7.00	INSIDE MUFFLER PROTECTOR	1
14	520.2435.002.D7.00	SIDE MUFFLER PROTECTOR	1
15	T92.3100.002.00.00	MUFFLER GASKET	1
16	5787.08012.00.01	BOLT	2

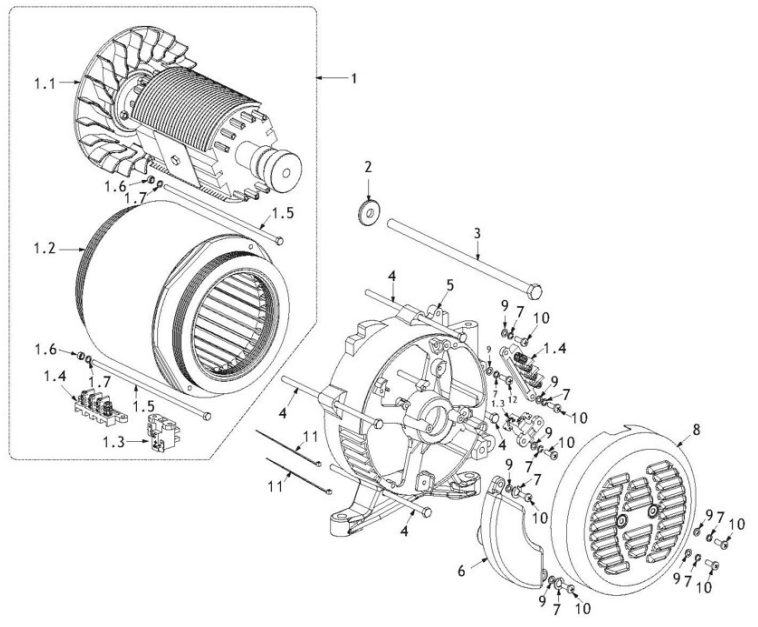


Stator & Rotor

(See Figure 13)

Figure 13 - Stator & Rotor

Ref #	Part Number	Description	Qty
1	560.4000.056.00.00	STATOR & ROTOR ASSEMBLY	1
1.1	560.4000.056.00.01	ROTOR ASSEMBLY	1
1.2	560.4000.056.00.02	STATOR ASSEMBLY	1
1.3	560.4000.056.00.03	BRUSH ASSEMBLY	1
1.4	560.4000.056.00.04	CONNECTING BLOCK ASSY.	1
1.5	5783.05234.00.04	STATOR BOLT	2
1.6	0889.05000.00.01	NUT	2
1.7	0093.05000.00.01	SPRING WASHER	2
2	0097.05000.00.01	WASHER	1
3	0021.10283.05.01	BOLT	1
4	5789.06195.04.01	BOLT	4
5	520.4010.001.00.00	STATOR & ROTOR SUPPORT	1
6	560.4020.008.00.00	AVR ASSEMBLY	1
7	0093.08000.00.01	SPRING WASHER	8
8	520.4060.001.04.00	STATOR/ROTOR BOTTOM CVR.	1
9	0097.08000.00.01	WASHER	8
10	5787.05016.00.01	SCREW	7
11	520.4080.001.00.00	BELT	2
12	5787.08012.00.01	SCREW	4



Parts Breakdown | BNG9000 Generator

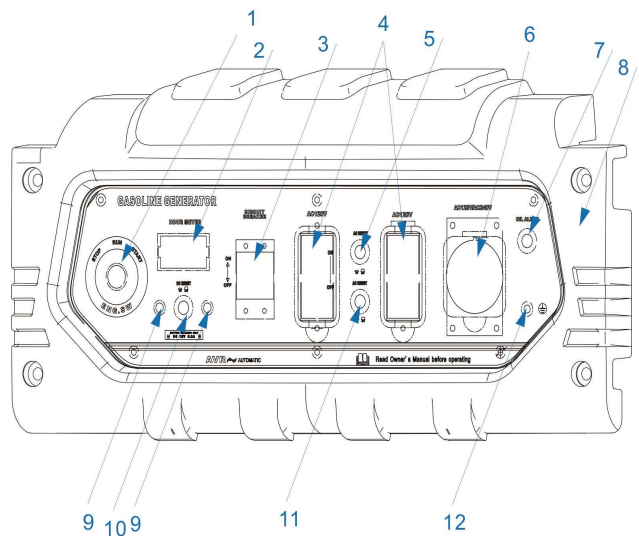
Generator Spare Parts List

Control Panel

(See Figure 14)

Figure 14 - Control Panel

Ref #	Part Number	Description	Qty
1	560.3370.P25.04.01	ELECTRIC START SWITCH	1
2	560.3370.P25.04.02	3-IN-1 DIGITAL DISPLAY	1
3	560.3370.P25.04.03	CIRCUIT BREAKER	1
4	560.3370.P25.04.04	120V AC SOCKET	2
5	560.3370.P25.04.05	AC BREAKER	1
6	560.3370.P25.04.06	120/240V AC SOCKET	1
7	560.3370.P25.04.07	AC BREAKER	1
8	560.3370.P25.04.08	PANEL COVER	1
9	560.3370.P25.04.09	DC TERMINAL	1
10	560.3370.P25.04.10	DC BREAKER	1
11	560.3370.P25.04.11	AC BREAKER	1
12	560.3370.P25.04.12	GROUND BOLT	1

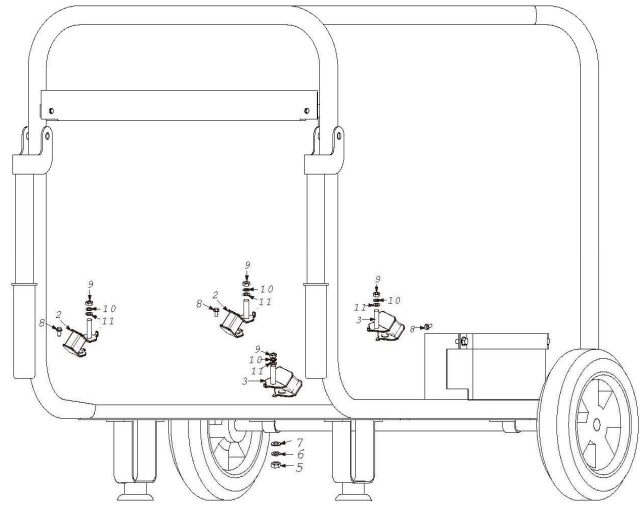


Frame & Wheel Kit

(See Figure 15)

Figure 15 - Frame & Wheel Kit

Ref #	Part Number	Description	Qty
1	580.3331.P06.D7.00	FRAME	1
2	520.3350.003.00.01	ABSORBER A	2
3	520.3350.003.00.01	ABSORBER A	2
4	460.3360.002.00.00	FRAME ABSORBER	2
5	6170.08000.00.01	NUT	4
6	0093.08000.00.01	SPRING WASHER	4
7	0097.08000.00.01	WASHER	4
8	5787.06012.00.01	BOLT	10
9	6170.10000.00.01	NUT	4
10	0093.10000.00.01	SPRING WASHER	4
11	0097.10000.00.01	WASHER	4

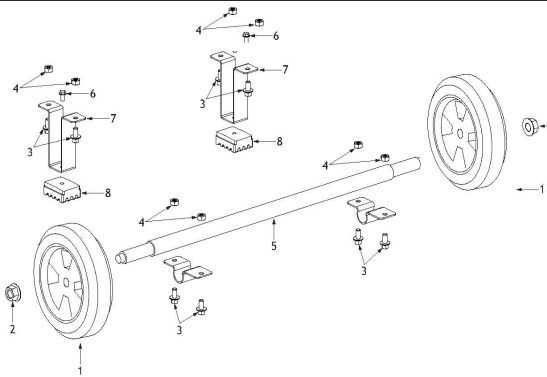


Axle & Wheels

(See Figure 16)

Figure 16 - Axle & Wheels

Ref #	Part Number	Description	Qty
1	572.3332.002.00.00	FOAM WHEEL	1
2	6177.12000.07.01	NUT	2
3	5787.06020.00.01	BOLT	8
4	6177.06000.00.01	NUT	8
5	522.3330.B73.D7.02	AXLE	1
6	5787.06025.00.01	BOLT	2
7	555.3330.H03.D7.02	V SUPPORT BRACKET	2
8	460.3360.002.00.00	CUSHION	2
9	520.3330.122.D7.04	WHEEL AXLE CLAMP	2



Parts Breakdown | BNG9000 Generator

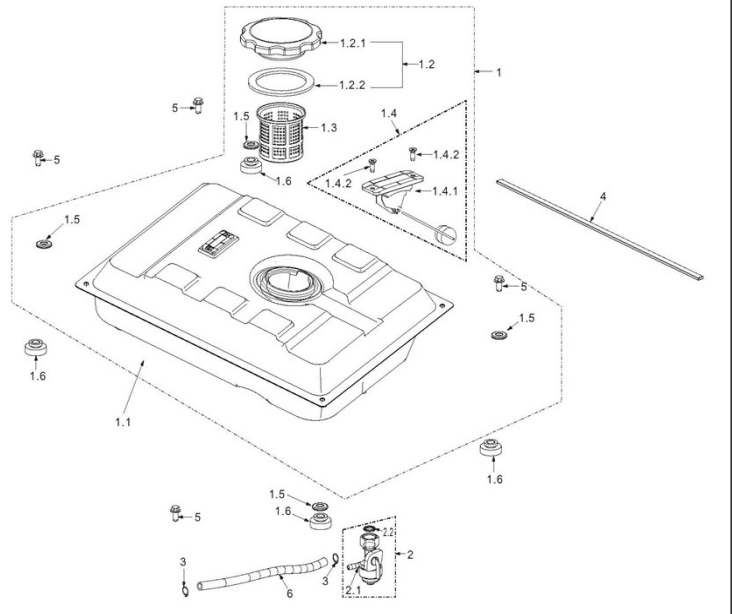
Generator Spare Parts List

Fuel Tank

(See Figure 17)

Figure 17 - Fuel Tank

Ref #	Part Number	Description	Qty
1	520.3200.P03.P5.00	FUEL TANK ASSEMBLY	1
1.1	520.3200.P03.P5.01	Fuel tank	1
1.2	520.3200.P03.P5.02	Fuel tank cover ass.	1
1.3	520.3200.P03.P5.03	Fuel filter	1
1.4	520.3200.P03.P5.04	Fuel gauge ass.	1
1.4.1	520.3200.P03.P5.05	Fuel gauge	1
1.4.2	5789.05010.00.01	Screw	2
1.5	0097.08000.00.01	Washer	4
1.6	520.3200.P03.P5.06	Fuel tank absorber	4
2	460.3210.001.00.00	FUEL SWITCH ASSEMBLY	1
3	188.2362.001.00.00	FUEL LINE CLIP	2
4	520.3200.070.D7.00	FUEL TANK CUSHION	1
5	5787.06025.00.01	BOLT	4
6	520.3200.070.08	FUEL LINE	1

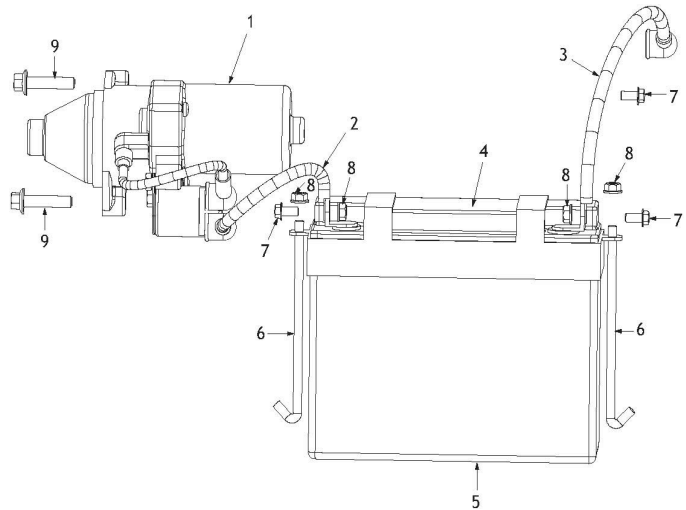


Battery Assembly

(See Figure 18)

Figure 18 - Battery Assembly

Ref #	Part Number	Description	Qty
1	T92.2070.A01.00.00	STARTER MOTOR	1
2	460.2480.002.00.00	POSTIVE BATTERY WIRE	1
3	522.2480.009.00.00	NEGATIVE BATTERY WIRE	1
4	460.3330.102.D7.12	FIXER	1
5	460.2460.004.00.00	BATTERY	1
6	5787.06137.00.01	BATTERY HOUSING BOLT	2
7	5787.06012.00.01	BOLT	2
8	6170.06000.00.01	NUT	2
9	5787.08035.00.01	BOLT	2



BNG9000 Generator Specifications

Figure 19 - Specification Table

BNG9000 Portable Job Site Generator (Gasoline)	
<i>Frequency</i>	60Hz
<i>Power Rated / Power Max</i>	9.0kW / 9.5kW
<i>Rated Voltage (AVR)</i>	120V/240V Single Phase
<i>Fuel Tank Capacity</i>	6.5 Gallons (25L)
<i>DC Voltage / DC Current</i>	12V / 8.3A
<i>Oil Capacity</i>	1.1 Quarts
<i>Outlets</i>	(2) 20A GFCI 120V (37.5A Max) (1) NEMA 14-50R 125V/250V (37.5A Max) (1) DC 12V 8.3A
<i>Run Time at 50% Load (Hrs/tank)</i>	12+ hours
<i>Run Times at 100%</i>	6+ hours
<i>Electronic Display</i>	Hour Meter
<i>CARB Certified</i>	Yes
<i>Unit Dimensions</i>	31.3" x 21.1" x 22.4" (796mm x 536mm x 570mm)
<i>Unit Weight</i>	214 lbs (97 Kgs)
<i>Sound Level</i>	79.5 dB(A) @ 7m (23 ft.)
<i>Engine</i>	16 Hp Engine
<i>Wheel Kit</i>	Included

