



# BN Products - USA, LLC

3450 Sabin Brown Road • Wickenburg, Arizona 85390  
(800) 992-3833 • (928) 684-2813 • [www.bnproducts.com](http://www.bnproducts.com)

## DBD-16H PORTABLE MINI REBAR BENDER

*Tool Manual*  
*0-180 degree Rebar Bender*



The DBD-16H is a small lightweight portable rebar bender that can save valuable time. The angle adjustment lever allows you to bend rebar up to and including #5 (5/8") grade 60 rebar. This is a strong electric/mechanical bender that can dial-up bends from 1-180°. You can use it at your job site or in your shop. The DBD-16H portable rebar bender comes complete with a removable extension table, a tool kit, and a standard foot pedal control switch for hands-free bending. BN Products-USA backs this tool with one-year parts and labor warranty.

**BN Products-USA backs this product  
with a one-year warranty.**



# BN Products - USA, LLC

3450 Sabin Brown Road • Wickenburg, Arizona 85390  
(800) 992-3833 • (928) 684-2813 • [www.bnproducts.com](http://www.bnproducts.com)

READ ALL INSTRUCTIONS AND SAVE THEM FOR FUTURE REFERENCE

Thank you for purchasing the DBD-16H Mini Rebar Bender. Please read this instruction manual carefully before use, and use the product safely and correctly. After reading, PLEASE keep it in a place where it can be seen at any time.

NOTE: When using electric tools, basic safety precautions should always be followed to reduce the risk of electric shock and personal injury, including the following items:

1. Keep hands away. From all moving parts and rollers while operating.
2. Dress properly. Loose clothing or jewelry can get caught in moving parts. Wear sturdy boots with non-skid soles. Steel toed boots and safety glasses are recommended.
3. Keep children and bystanders away. Distractions can cause you to lose control.
4. Do not overreach. Keep proper footing and balance at all times. This enables better control of the power tool in unexpected situations.
5. Stay alert. Watch what you are doing and use common sense when operating a power tool. Do not use a power tool while you are tired or under the influence of drugs or alcohol. A moment of inattention while operating power tools may result in serious personal injury.
6. Do not exceed the maximum number of bars that can be bent at one time. Please refer to specifications.
7. When positioning the bar between rollers, make sure to lay it flat on the machine surface. Failure to do so may cause the rebar to fly out.
8. Do not expose tool to rain or use in damp locations. Do not use tool in presence of flammable liquids or gases. Keep work area well lit. If the tool is used outdoors, keep it covered when not in use and protect it from rain or water.
9. Do not bend materials harder than “Grade 60 or 420N/mm<sup>2</sup>” as they will either crack and fly out or cause machine failure.
10. Disconnect tool from receptacle when not in use. Disconnect when servicing or changing rollers to prevent accidents.
11. Keep tool clean at all times for best and safest performance. Follow instructions for lubricating and changing parts. Keep hands dry and free of oil or grease. Inspect switches, tool cords periodically and have them repaired or replaced by an authorized service center if damaged. Check moving parts for alignment and binding as well as for breakage and improper mounting. Damaged parts should be repaired or replaced by an authorized service facility unless otherwise indicated in this instruction book.

## DBD-16H Portable Rebar Bender

1. Removable Table Top
2. Moving Bending Roller
3. Stationary Center Roller
4. Adjustable Stopper
5. Lifting Handle
6. Power Switch
7. Reverse Button
8. Angle selector
9. Foot Pedal Plug
10. Operation Button





# BN Products - USA, LLC

3450 Sabin Brown Road • Wickenburg, Arizona 85390

(800) 992-3833 • (928) 684-2813 • [www.bnproducts.com](http://www.bnproducts.com)

Specifications:	
Maximum Bending Diameter:	5/8" (#5) Rebar (16mm) Grade 60
Bending Angle / Speed	Up to 180 degrees / 6 seconds
Voltage / Amperage:	120V 50/60Hz / 11 amps / 1050 W
Tool Weight:	40 lbs (20 kg)
Dimensions L x W x H:	12.5" (320 mm) x 13.75" (350 mm) x 9.65" (245 mm)
Maximum Number of Bars	One

**WARNING** - Incorrect use could result in death or serious injury to the user or others near by.

This product must not be used for purposes other than those described in this instruction manual.

Keep your workbench and surrounding workplace clean and uncluttered.

Please use safety glasses, gloves and proper safety shoes.

Use this tool on a stable surface with a stable working posture with your feet firmly planted and balanced.

This is an electric power tool so be extremely careful of electric shock. Remember that moisture reduces the insulation properties of the motor and may cause electric shock. Do not use in the rain, wet places, or situations where water and oil could easily enter inside the machine.

Please use a GFI power supply, and be sure the tool is grounded correctly.

Please work properly. Baggy clothes, jewelry such as necklaces, ties, open cuffs, could get caught in the rotating part of this machine.

Please be careful about ignition and explosion. Power tools emit rectified sparks during use and when the switch is opened and closed. Products emitting flammable fumes may be ignited or explode. Never use it in locations where these dangers are present. Avoid using this tool in poorly ventilated places such as a closed area.

Do not mishandle the power cord. Do not carry the tool by the power cord, or pull the cord to disconnect it from the outlet. Be careful that the cord does not touch high-temperature heat, oil, chemicals, or sharp objects, etc.

Turn off the power tool and remove the plug from the power outlet in the following cases; when inspecting the tool, doing maintenance or repair, and when the tool is not in use.

Before inserting the plug into the power outlet, make sure that the switch is turned off.

Before use, carefully inspect the cord and tool for any damage, and make sure that it can perform the desired function.

Please note that overheating can cause a malfunction.

Please use specified genuine parts when repairing this tool.

If you feel any abnormality while using the product, stop using it immediately and perform inspection and repair.

Do not exceed the maximum capacity

Handle power tools with care. If dropped or hit by mistake, the outer frame may be deformed or damaged, take the time to perform a thorough inspection before use.

Store power tools in places that are out of the reach of children. Storage areas should be locked and where



# BN Products - USA, LLC

3450 Sabin Brown Road • Wickenburg, Arizona 85390

(800) 992-3833 • (928) 684-2813 • [www.bnproducts.com](http://www.bnproducts.com)

temperature and humidity do not change suddenly. Storage areas should also be out of direct sunlight, rain, and away from moisture.

Be mindful of voltage drop when using an extension cord.

This power tool is designed for bending rebar used for concrete reinforcement. Do not use it for any other purpose.

Do not exceed the maximum capacity of the machine. See the specification chart.

When placing and using the product, use it on a level and stable surface.

Do not touch the rollers or moving parts, or bring your hands or face close to them during use.

Please wear safety glasses, and other appropriate clothing including gloves and proper safety shoes when using this tool.

Do not leave this tool with the plug connected to the power supply when not in use.

Be sure use a grounded 3-prong plug to prevent electric shock. To avoid electric shock, do not work with water or oil on your hands.

Do not leave this tool outdoors or use in the rain or snow.

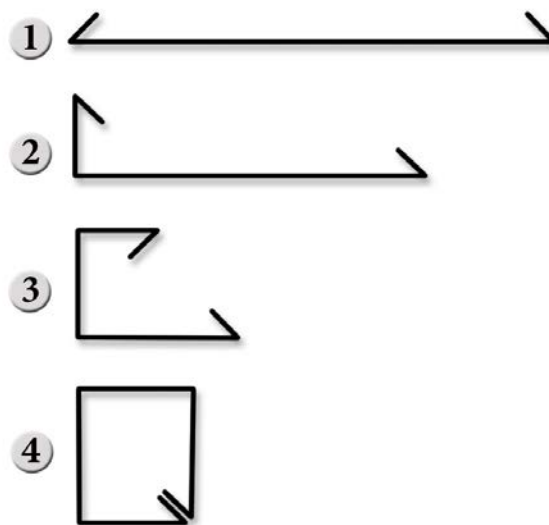
**WARNING: ALWAYS UNPLUG THIS TOOL BEFORE ATTACHING OR REMOVING ROLLERS OR ACCESSORIES.**

1. This tool comes with a stationary roller and a moving roller. Make sure that both rollers are set correctly..
2. Plug the electrical power cord into an appropriate outlet.
3. Lay the bar on the machine surface between the center roller and bending roller. Adjust the stopper so that the bar is parallel to the front edge of the machine.

4. Turn the main switch on. It should light-up with power.
5. Set the angle and make a test bend. If the bent angle is not exact, adjust the angle selector slightly to the right or left.
6. Push the operation button or foot switch. The moving bending roller will automatically return to the start position once the bend has been completed.
7. If it is necessary to stop the machine in an emergency, remove your finger from the start switch or release your foot from the foot operated switch. The bending roller will return to the start position automatically.

**WARNING:** Never touch any moving parts or rollers while the rebar bender is being operated.

For stirrups, cut your rebar to the desired length before bending. Then make both bends for your turndowns. Finally make your (3) 90° bends to connect your ends together. See below.





# BN Products - USA, LLC

3450 Sabin Brown Road • Wickenburg, Arizona 85390  
 (800) 992-3833 • (928) 684-2813 • www.bnproducts.com

## INSPECTION AND MAINTENANCE

- WARNING: ALWAYS UNPLUG TOOL BEFORE PERFORMING MAINTENANCE.
- DO NOT USE PARTS OR ACCESSORIES THAT ARE NOT GENUINE REPLACEMENT ITEMS FROM BN PRODUCTS-USA

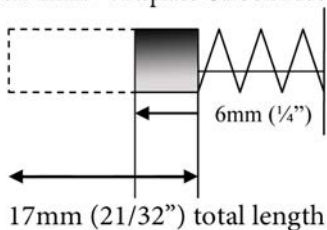
Always check the tool before use that there are no loose nuts and bolts before starting the operation.

After operation is completed, be sure to remove metal dust, dirt, oil, etc... adhering to the machine surfaces.

At least once a month check the carbon brushes for wear or damage. Replace with new brushes if they are worn out.

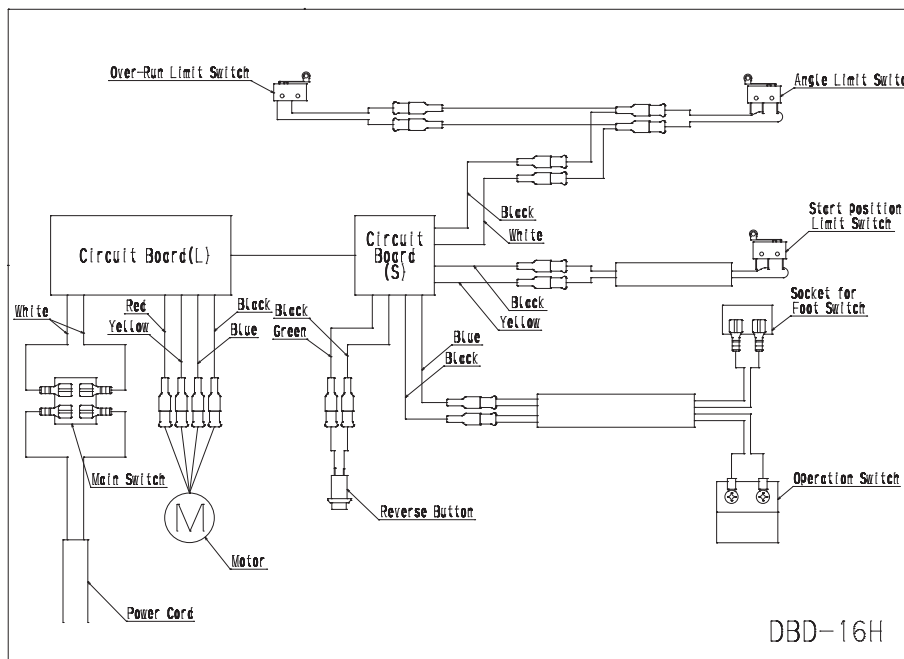


1C1961A Carbon Brush  
 Wear Limit --> Replace Carbon Brushes



Part No.	Roller
1BDL400381	Bending Roller 1.4" (34mm)
1BDL4279400	Center Collar 2.952" (75mm)

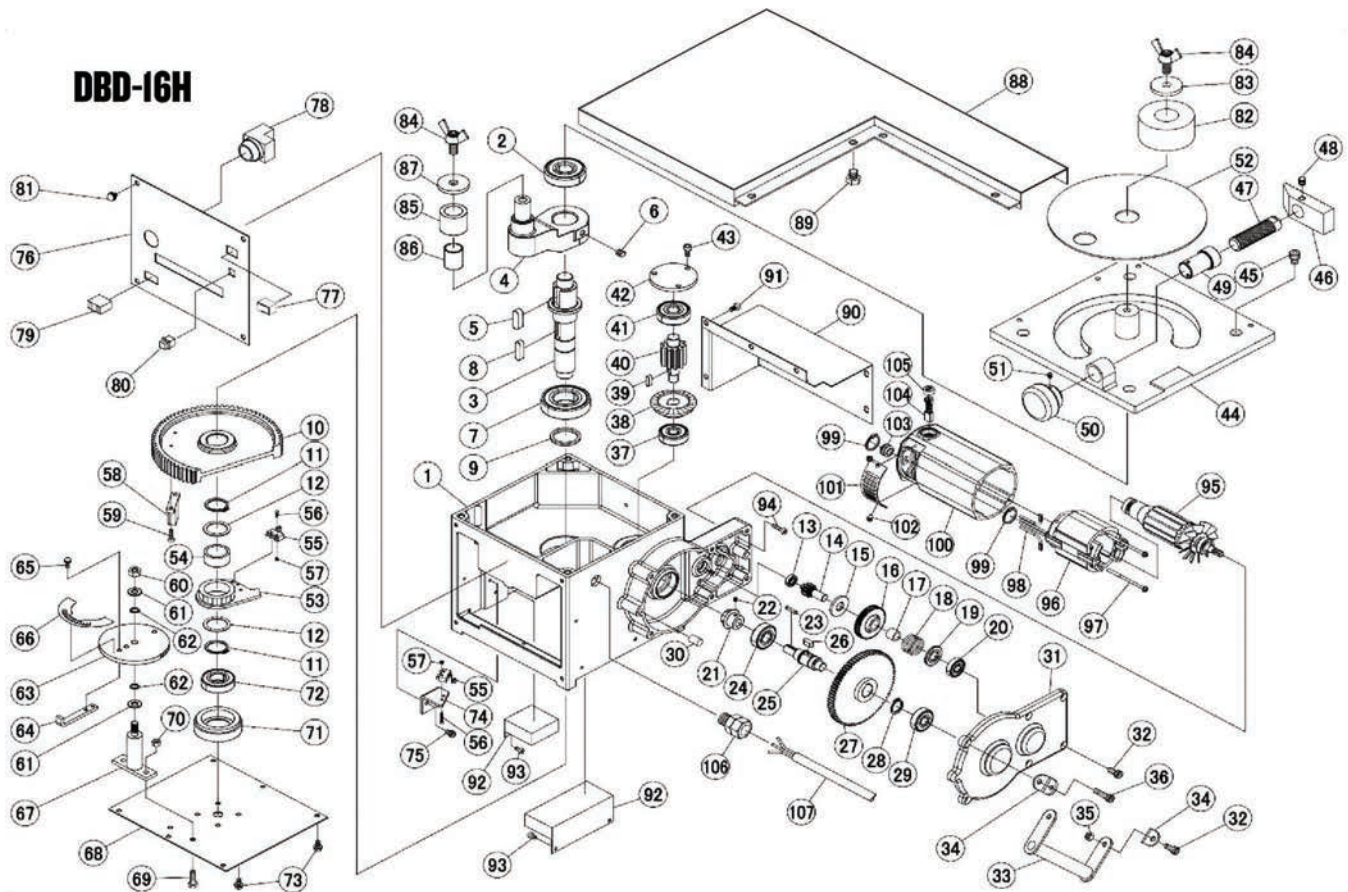
## Wiring Diagram





# BN Products - USA, LLC

3450 Sabin Brown Road • Wickenburg, Arizona 85390  
 (800) 992-3833 • (928) 684-2813 • www.bnproducts.com



DBD-16H Parts List			
No.	Part No.	Part Name	Qty
1	1BDL1029100	FRAME	1
2	76304ZZ	BEARING 6304ZZ	1
3	1BDL3143200	MAIN SHAFT	1
4	1BDL3143300	SWIVEL ARM	1
5	7K100829.5R2	KEY 10X8X29.5	1
6	7SS08008	SET SCREW M8X8	1
7	76206LLU	BEARING 6206LLU	1
8	7K080729.5R2	KEY 8X7X2935	1
9	1BDL400131	COLLAR	1
10	1BDL3143400	SWIVEL GEAR	1
11	7SRS026	SNAP RING 26	2
12	7CIMRF34261	SHIM	2
13	7W688ZZ	BEARING W688ZZ	1
14	1BDL4277700	PINION (1)	1
15	1BDL4277900	CLUTCH PLATE	1

DBD-16H Parts List			
No.	Part No.	Part Name	Qty
16	1BDL4277800	HELICAL GEAR	1
17	7HF1012	ONE-WAY CLUTCH	1
18	1BDL4278100	CLUTCH SPRING	1
19	1BDL4278000	SPRING GUIDE	1
20	76000ZZ	BEARING 6000ZZ	1
21	1BDL400230	BEVEL GEAR	1
22	7SS04004	STOP BOLT M4X4	1
23	7K0303018R2	KEY 3X3X18	1
24	76202ZZ	BEARING 6202ZZ	1
25	1BDL4278200	SHAFT	1
26	7K0606014.5R2	KEY 6X6X14.5	1
27	1BDL4278300	GEAR (2)	1
28	7SRS018	SNAP RING 18	1
29	76201ZZ	BEARING 6201ZZ	1
30	7PP08015A	PARALLEL PIN 8X15	2



# BN Products - USA, LLC

3450 Sabin Brown Road • Wickenburg, Arizona 85390

(800) 992-3833 • (928) 684-2813 • [www.bnproducts.com](http://www.bnproducts.com)

DBD-16H Parts List			
No.	Part No.	Part Name	Qty
31	1BDL3143500	GEAR CASE COVER	1
32	7CB06014	CAP BOLT M6X14	6
33	1BDL400850	HANDLE	1
34	1BDL400840	HANDLE BRACKET	2
35	7NU006	U NUT 6	2
36	7CB06025	CAP BOLT M6X25	2
37	76301ZZ	BEARING 6301ZZ	1
38	1BDL400200	BEVEL GEAR	1
39	7K0505016R2	KEY 5X5X16	1
40	1BDL4278400	PINION (2)	1
41	76302Z	BEARING 6302ZZ	1
42	1BDL400210	BEARING COVER	1
43	7CB05015	CAP BOLT 5X15	3
44	1BDL1029200	SWIVEL PLATE	1
45	7CB08015	CAP BOLT M8X15	4
46	1BDL4278800	ADJUSTABLE STOPPER	1
47	1BDL4278900	ADJUSTABLE BOLT	1
48	7SS08008	STOP BOLT M8X8	1
49	1BDL4279000	ADJUSTABLE NUT	1
50	1BDL4279100	ADJUSTABLE HANDLE	1
51	7SH05006	STOP BOLT M5X6	2
52	1BDL4279200	CENTER PLATE	1
53	1BDL300151	ANGLE SET PINION	1
54	1BDL400160	BUSHING	1
55	7SS5GL2	LIMIT SWITCH	2
56	7P22.3015	SCREW WITH WASHER M2.3X15	4
57	7N002.3	HEX NUT M2.3	4
58	1BDL4278500	DOCK	1
59	7P204016	SCREW WITH WASHER M4X16	2
60	7NN008	N. NUT M8	1
61	7PW008	PLAIN WASHER	2
62	7WW008	WAVE WASHER	2
63	1BDL400181	ANGLE GEAR	1
64	1BDL4278700	ANGLE LEVER	1

DBD-16H Parts List			
No.	Part No.	Part Name	Qty
65	7P205012	SCREW WITH WASHER M5X12	2
66	1BDL400411	ANGLE SCALE	1
67	1BDL4278600	ANGLE SHAFT	1
68	1BDL3143600	BOTTOM PLATE	1
69	7B206020	HEX BOLT 6X20	2
70	7N006	HEX NUT M6	2
71	1BDL401031	BOTTOM BOSS	1
72	76004ZZ	BEARING 6004ZZ	1
73	7USB205010	UPSET BOLT M5X10	10
74	1BDL4279301	LS STAY	1
75	7CB205012	CAP BOLT W/WASHER M5X12	2
76	1BDL3143700	CONTROL PANEL	1
77	7CWSB-21NMKZMEF	LOCKER SWITCH	1
78	7AR22F0R10G	START SWITCH	1
79	7ACT03FB03	SOCKET FOR FOOT SWITCH	1
80	7DS430R	PUSH BUTTON SWITCH	1
81	7P305008	SCREW WITH WASHER M5X8	4
82	1BDL4279400	CENTER COLLAR	1
83	1BL9402500	WASHER	1
84	7WB10020	WING BOLT M10X20	1
85	1BDL400381	BENDING ROLLER 16 φ34	1
86	7BM2028FB	BUSHING DUB 2028	1
87	1BDL400390	WASHER	1
88	1BDL2072200	TABLE	1
89	7B08010	HEX BOLT M8X10	4
90	1BDL2072100	MOTOR COVER	1
91	7P305008	SCREW WITH WASHER M5X8	6
92	7UMCSW1	CIRCUIT FOR MOTOR	1
93	7P204006	SCREW WITH WASHER M4X6	4



# BN Products - USA, LLC

3450 Sabin Brown Road • Wickenburg, Arizona 85390

(800) 992-3833 • (928) 684-2813 • [www.bnproducts.com](http://www.bnproducts.com)

DBD-16H Parts List			
No.	Part No.	Part Name	Qty
94	7P204016	SCREW WITH WASHER M4X16	4
95	7M314619G02	ROTAR 115V	1
96	7M314620G02	STATOR 115V	1
97	7P204065	SCREW WITH WASHER M4X65	2
98	7M419574G01	LEAD WIRE	1
100	7M210387H10	FRAME (MOTOR HOUSING)	1

DBD-16H Parts List			
No.	Part No.	Part Name	Qty
101	7P852647H01	COVER	1
102	7P204006	SCREW WITH WASHER M4X6	2
103	7P443111H01	RUBBER BUSHING	1
104	7M410728G01	CARBON BRUSH	2
105	7P857640H01	BRUSH CAP	2
106	7AG1610B	CABLE GROUND	1
107	7HTK500399ZB	CORD 115V 2.6M	1

## More Tools

### PORTABLE #7 JOB SITE REBAR BENDER

Capable of bending No. 7 (7/8") Grade 60 Rebar 180°

It has a high-speed, automatic working cycle that is easy to operate and has two angle settings that can be preset making rebar stirrups easy. Weighs less than 200 lbs and can run off of a generator (12 amps). It includes a hands-free foot pedal control switch and a complete set of roller dies for making correct radius.



Product No. Description  
DBD-25X Portable Rebar Bender



### THE CUTTING EDGE SAW™

3/4" Rebar and 7/8" All-thread rod capacity, 9 amps

- 3-position removable side handle and a rotating trigger handle
- Double insulated power harness
- ETL Certified and Listed

Includes: 2 TCT cutting blades, extra set of motor carbon brushes, removable side handle, chip collector attachment, tool kit, and operations manual with a plastic molded carrying case.



Product No. Description  
BNCE-20 Cutting Edge Saw™



### THE CORDLESS CUTTING EDGE SAW™

3/4" rebar and 7/8" all-thread rod capacity, 24V Li-Ion battery

- Features a three position handle
- Comes with two (2) 24V batteries plus a quick-time AC charger unit
- We also include two specially designed cutting blades plus a chip collector bag and nifty carrying case



Product No. Description  
BNCE-20-24V Cordless Cutting Edge Saw™



### THE TIGER TIER™ REBAR TYING MACHINE

New generation Rebar Tier

- Can tie two #6 (3/4") rebars in seconds
- Comes with two 18V Li-Ion power packs and a quick-time AC charger unit
- Light weight (5.8 lbs) with a glove-friendly grip and a one-year warranty
- Comes with a Nifty case that also contains four spools of wire ready to go



Product No. Description  
BNT-40X Portable Rebar Tying Tool



### PORTABLE #5 HYDRAULIC REBAR CUTTER

Easy to handle in-field portable rebar cutter.

- Maximum cutting diameter is 5/8" rebar
- Cutting speed is less than 2.5 seconds with cutting pressure of 15 tons
- This is a hydraulic cutting shear
- The tool also has a safety relief valve and a cutting guard as standard feature



Product No. Description  
DC-16W Portable #5 Rebar Cutter



### PORTABLE #6 HYDRAULIC REBAR CUTTER

Largest selling in-field rebar cutter in the USA

- Maximum cutting diameter is 3/4" rebar
- Cutting speed is less than 3 seconds with cutting pressure of 15 tons
- This is a hydraulic cutting shear
- The tool also has a safety relief valve and a cutting guard as standard features



Product No. Description  
DC-20WH Portable #6 Rebar Cutter

