

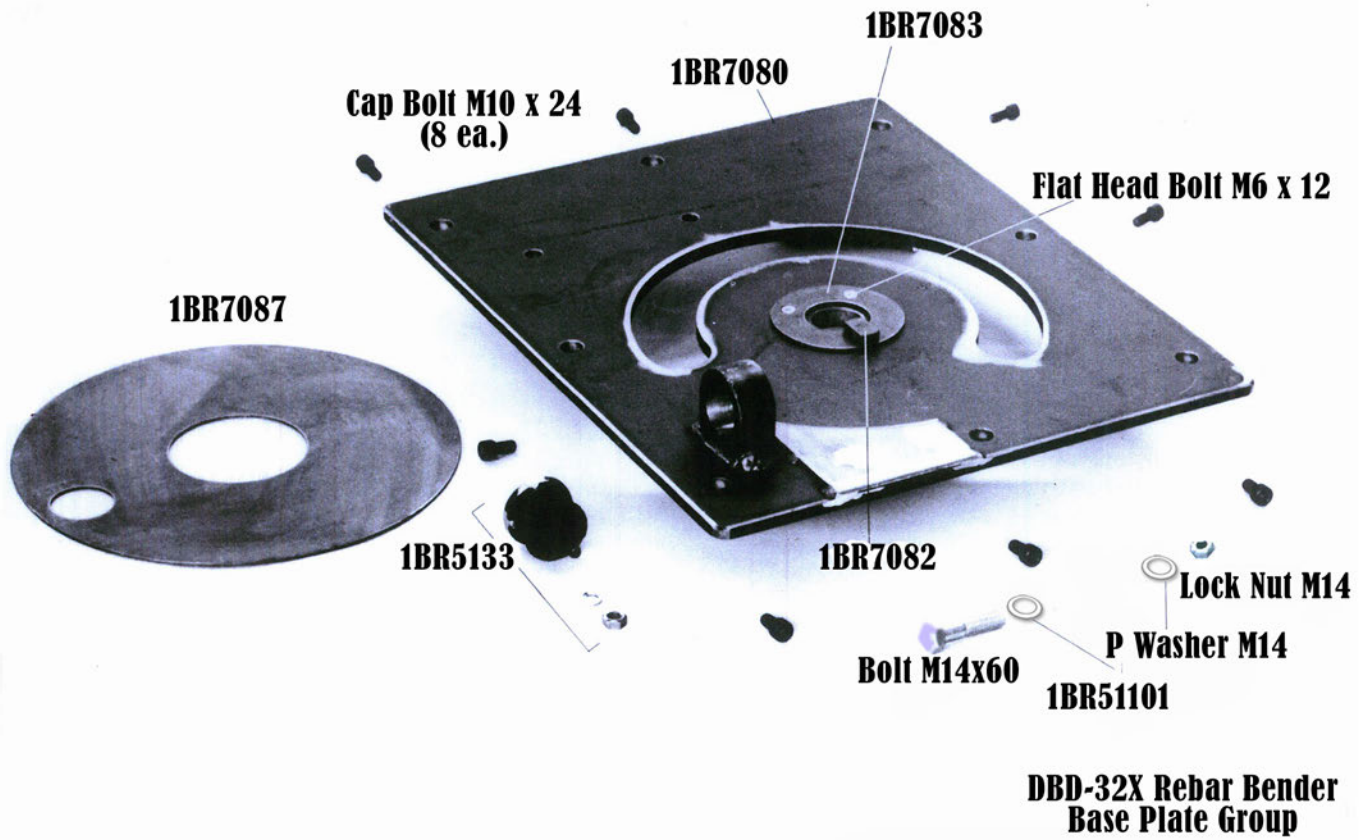
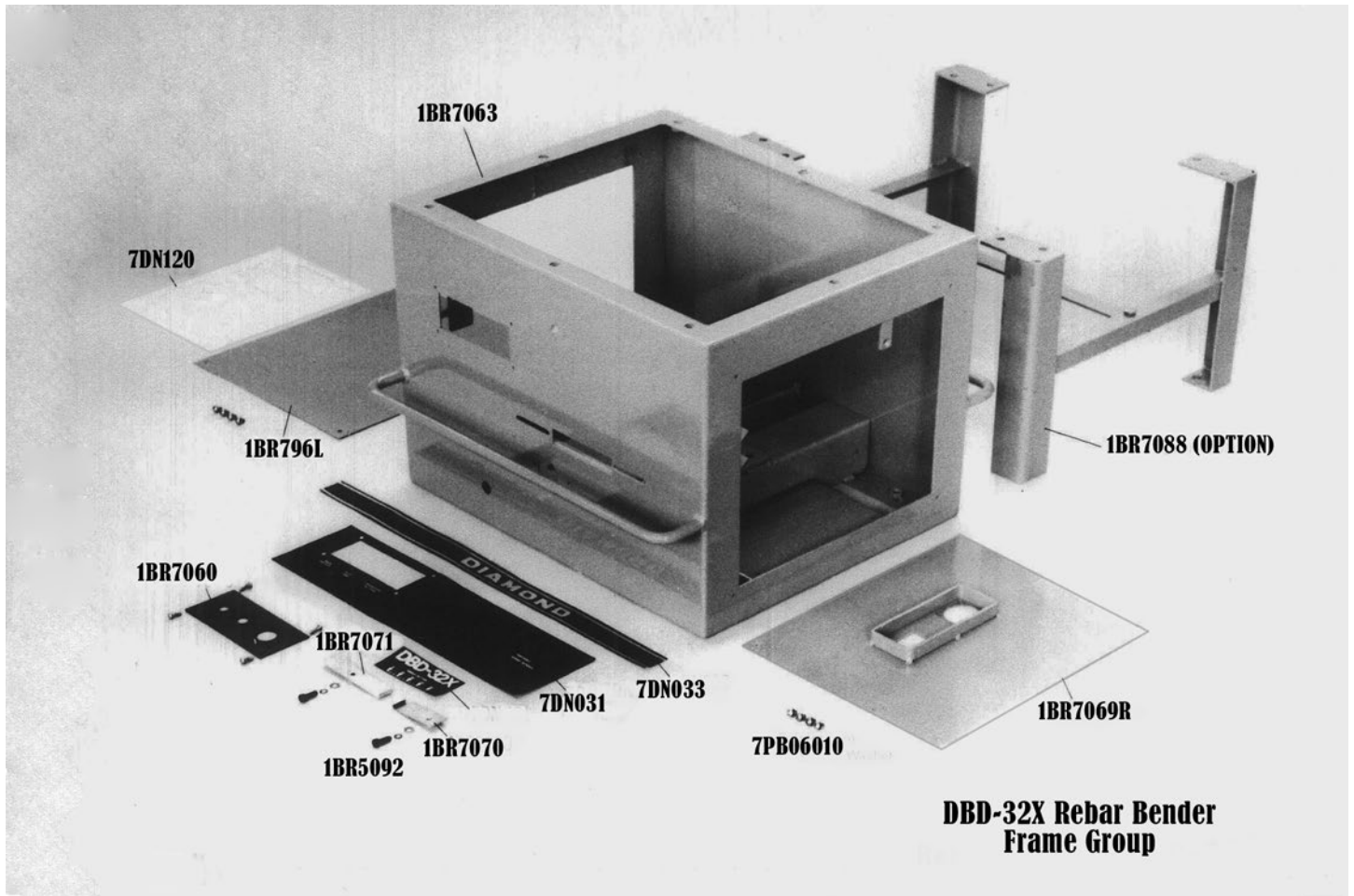


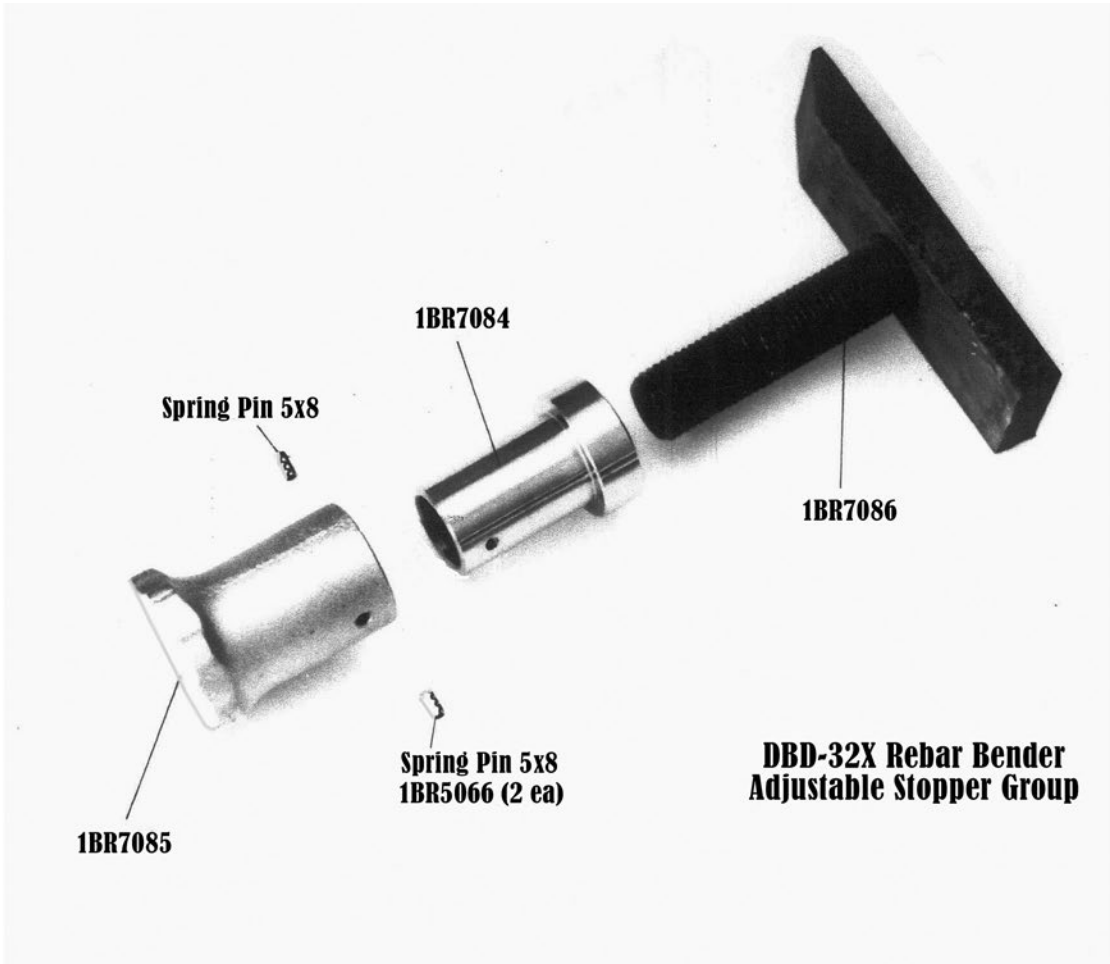
BN Products-USA, LLC

3450 Sabin Brown Road • Wickenburg, Arizona 85390
(800) 992-3833 • (928) 684-2813 • www.bnproducts.com

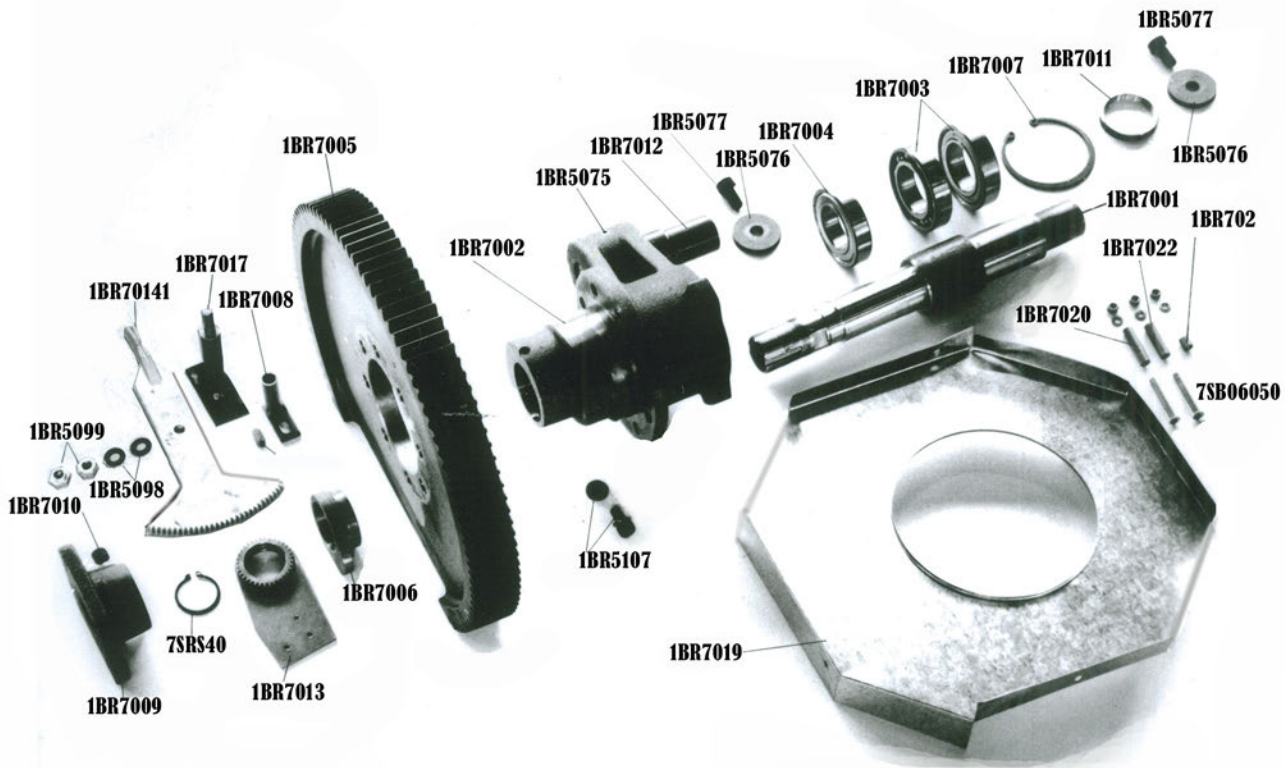
DBD-32X Parts Breakdown Information



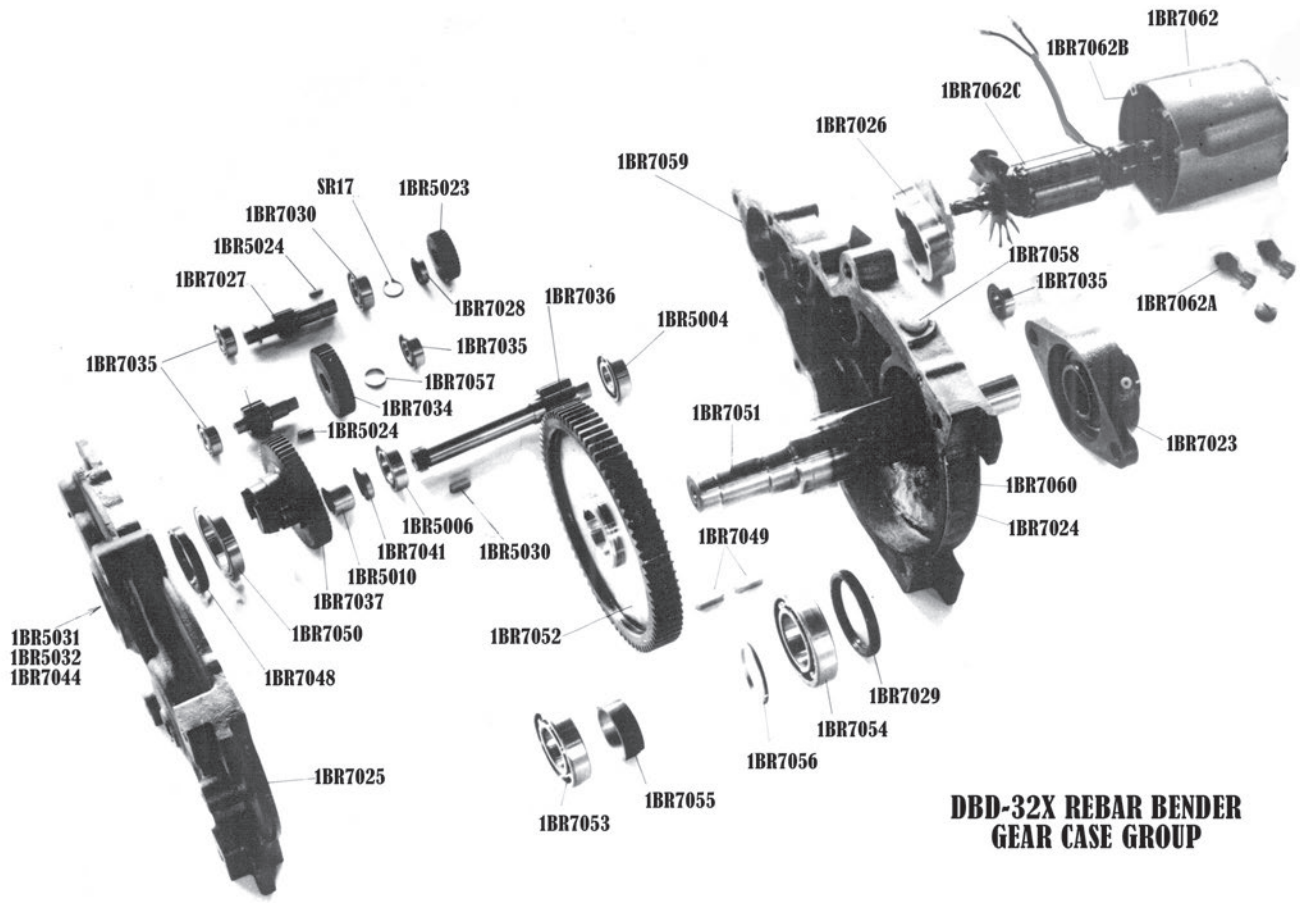




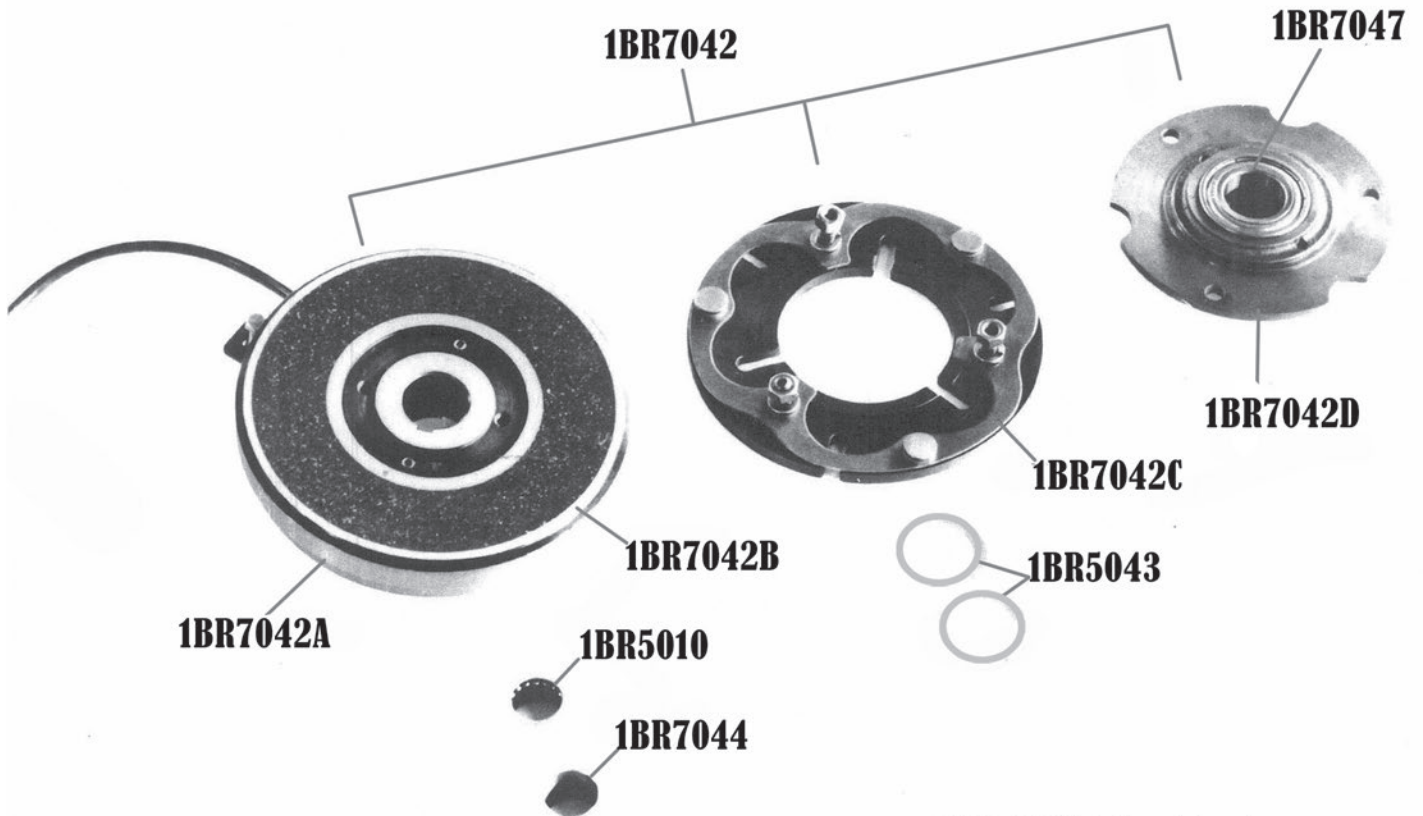
**DBD-32X Rebar Bender
Adjustable Stopper Group**



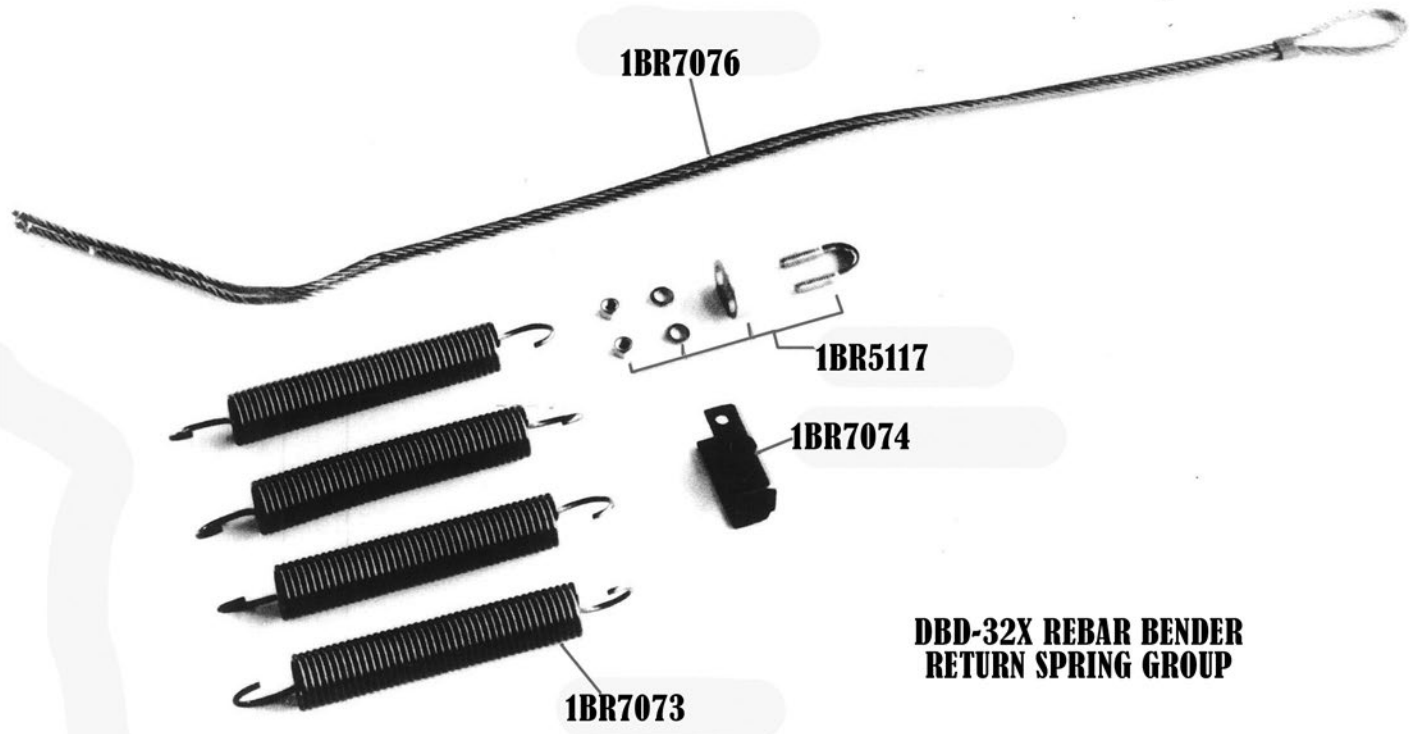
**DBD-32x REBAR BENDER
MAIN SHAFT GROUP**



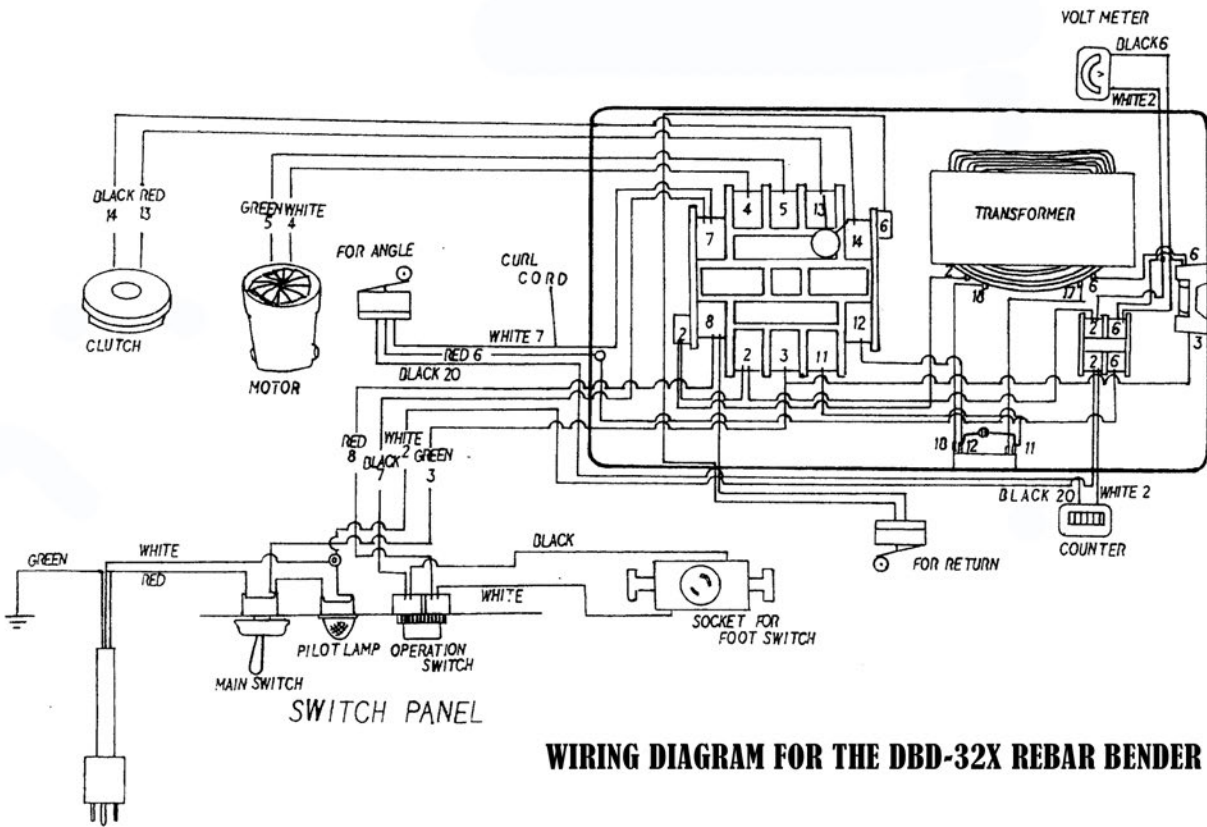
**DBD-32X REBAR BENDER
GEAR CASE GROUP**



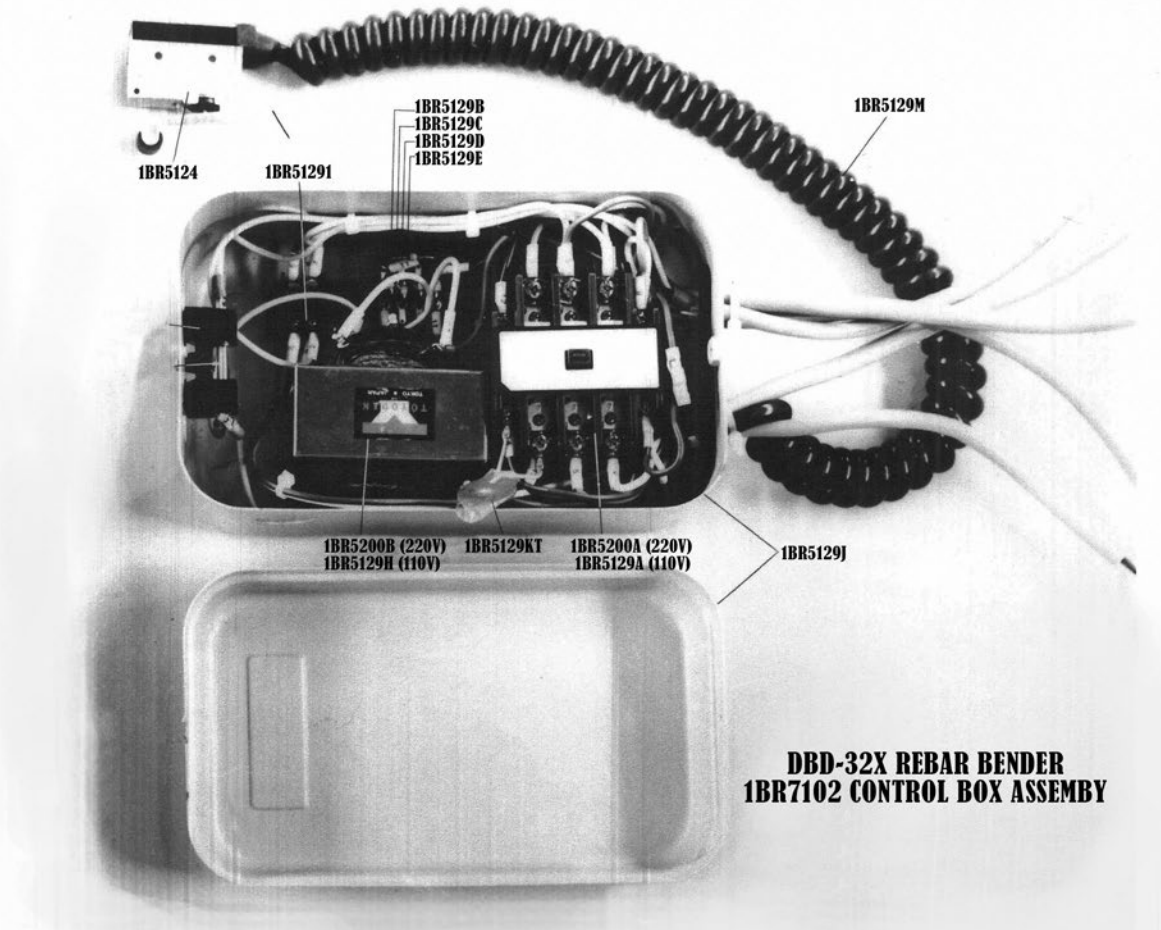
**DBD-32X Rebar Bender
Clutch Group (Not Sold Separately)**



**DBD-32X REBAR BENDER
RETURN SPRING GROUP**



WIRING DIAGRAM FOR THE DBD-32X REBAR BENDER



1BR5124
 1BR51291
 1BR5129B
 1BR5129C
 1BR5129D
 1BR5129E
 1BR5129M
 1BR5129J
 1BR5200B (220V)
 1BR5129H (110V)
 1BR5129KT
 1BR5200A (220V)
 1BR5129A (110V)

**DBD-32X REBAR BENDER
1BR7102 CONTROL BOX ASSEMBLY**

**DBD-32X Rebar Bender
Foot Switch & Electrical Panel Group**



1BR7102
 1BR5130 (OPTION)
 1BR5125
 3CD012 ON/OFF PLATE
 3CD111
 1BR5126
 1BR5127
 1BR5128
 1BR7202
 1BR7201
 1BRWF8215

**DBD-32X
Rollers Set
(T/Roller Set 2)**



**1BR7090
No. 1**



**1BR7091
No. 2**



**1BR70931
No. 3**



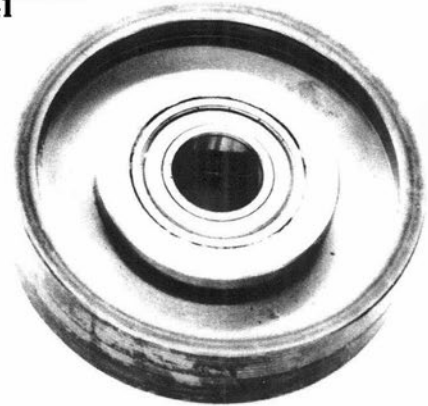
**1BR70941
No.4**



**1BR70951
No. 5**



**1BR70961
No. 6**



**1BR7097
No. 7**

DBD-25H

This heavy-duty portable bender helps to save valuable man-hours by effortlessly bending rebar up to #8 (1") Grade 60 at job sites or in your shop. This strong electrical-mechanical bender has two preset angle locks for repeating the same angle bend. The lever-type angle selector can be set to accurately bend any angle from 0-180 degrees. Bends (4) each #3 rebar, (3) each #4, (2) each #5 or #6 rebar and (1) #7 or #8 rebar at one time. The roller chart makes it easy to select the correct combination of rollers to achieve an inside bending diameter of six times the rebar diameter. An emergency stop switch and two lifting handles are standard features. The DBD-25H portable rebar bender comes complete with (9) bending rollers in two steel carrying cases, a tool kit, a bender cover, and a standard foot pedal control switch for hands-free bending. Optional circular pattern bending rollers are available. Benner-Nawman backs it with a one-year warranty.

DBD-25H Details	
Maximum Bending Diameter	#8 (1") (25mm) Grade 60
Bending Angle	0 – 180 degrees
Bending Speed	9 Seconds for 180 degree bend
Power Supply	115V 50/60Hz -15 amps
Weight	210 lbs. (95 kg)