



BN Products-USA, LLC.

3450 Sabin Brown Road • Wickenburg, Arizona 85390
(800) 992-3833 • (928) 684-2813 • www.bnproducts.com

~ Product Manual ~ BN Professional Material Mixers



BNR6169

BNR6400

BNR7000

BNR6402K



BN Products-USA, LLC.

3450 Sabin Brown Road • Wickenburg, Arizona 85390
(800) 992-3833 • (928) 684-2813 • www.bnproducts.com

PRODUCT DESCRIPTION

From low-viscosity paints to high-viscosity mortars these electric mixers will get your job done quicker, safer and easier than a conventional ½" drill motor. The ergonomically designed handles and the variable 2-speed motor with soft-start make the job quicker, safer and easier. The heavy-duty gearbox and high-torque motor will outlast a standard ½" drill motor by 3-4 times.

The machines have been designed to mix liquid and powder building materials such as paint, mortar, adhesive, plaster, epoxy and similar substances.

The relevant mixing action depends on the consistency of the materials and the quantity that has to be mixed. This must be set up for the appropriate mixing paddles.

You must abide by certain safety precautions when using the equipment, in order to prevent injuries and damages from occurring. Therefore you must always read through this operating manual carefully.

PLEASE NOTE - This manual must be kept in a safe place so that the information that it contains is always available. This operating manual must accompany the equipment if it is transferred to someone else.

We do not accept any liability for accidents or damage arising from ignoring this manual and the safety instructions.

SAFETY INSTRUCTIONS

Read through these operating instructions carefully before using these tools. Become familiar with the functions and method of operation. To ensure proper operation, always maintain the tools according to the instructions. The operating instructions and associated documents should always be kept close to the appliance.

When using power tools, you must observe the following basic safety precautions in order to ensure protection from electric shocks, injury and fire. Read and follow all the instructions before using these power tools. Follow the notes on safety.

Always check it to see if voltage corresponds with the manufacturer's requirements

Our mixers are double-insulated in accordance with EN60745; therefore, an ground wire is not required.

USE CORRECT SUPPLY VOLTAGE

The power supply voltage must match the information quoted on the tools identification plate.

USE PROPER EXTENSION CORD: Only use an approved extension cable that is suitable for the machine's power.

SWITCH OFF THE MACHINE IMMEDIATELY IN CASE OF:

1. Malfunction in the plug or power cable.
2. Broken switch.
3. Smoke or smell of scorched insulation.

GENERAL SAFETY RULES

WARNING! Read all safety warnings and all Instructions. Failure to follow the warnings and instructions may result in electric shock, fire and/or serious injury.

Save all warnings and instructions for future reference.

The term "power tool" in the warnings refers to your electric power tool or battery-operated (cordless) power tool.

WORK AREA SAFETY

- Keep work area clean and well lit. Cluttered or dark areas invite accidents.
- Do not operate power tools in explosive atmospheres, such as in the presence of flammable liquids, gases or dust. Power tools create sparks which may ignite the dust or fumes.
- Keep children and bystanders away while operating a power tool. Distractions can cause you to lose control.

ELECTRIC SAFETY

- Power tool plugs must match the outlet: Never modify the plug in any way. Do not use any adapter plugs for grounded power tools. Unmodified plugs and matching outlets will reduce risk of electric shock.



BN Products-USA, LLC.

3450 Sabin Brown Road • Wickenburg, Arizona 85390
 (800) 992-3833 • (928) 684-2813 • www.bnproducts.com

SPECIFICATIONS

TECHNICAL DATA	BNR6169	BNR6400	BNR7000	BNR6402K
Power	1050W / 9 Apms 1.4Hp	1800W / 15 Amps / 2.4Hp	1400W/11.7 Amps/1.9 Hp	1800W / 15 Amps / 2.4 Hp
Voltage	120V / 60 Hz	120V / 60 Hz	120V /60 Hz	120V / 60 Hz
Number of Gears	1	2	1	2
No-Load-Speed	1-600 rpm	150 - 300 rpm	270-460 rpm	18-460 / 300-700 rpm
Protection/ Class of Protection	Double Insulated Class II			
Certification	ETL / GS / CE	ETL / GS / CE	ETL / GS / CE	GS / CE
Thread for Fixing the Paddle	M14 & 1/2" Chuck	M14 & 1/2" Drill Chuck	Specially de- signed paddle	1/2" Hex Quick Change Chuck
Mixing Paddle (CD max.)	4-3/4" (120mm)	6-1/2" (160mm)	5-1/2" (140mm)	4-3/4" (120mm)

- Avoid body contact with grounded surfaces, such as pipes, radiators, ranges and refrigerators. There is an increased risk of electric shock if your body is grounded.
- Do not expose power tools to rain or wet conditions. Water entering a power tool will increase the risk of electric shock.
- Do not abuse the cord. Never use the cord for carrying, pulling or unplugging the power tool. Keep cord away from heat, oil, sharp edges or moving parts. Damaged or entangled cords increase the risk of electric shock.
- When operating a power tool outdoors, use an extension cord suitable for outdoor use. Use of a cord suitable for outdoor use reduces the risk of electric shock.

PERSONAL SAFETY

- Stay alert, watch what you are doing and use common sense when operating a power tool. Do not, use a power tool while you are tired or under the influence of drugs, alcohol or medication. A moment of inattention while operating power tools may result in serious personal injury.
- Use personal protective equipment. Always wear eye protection. Protective equipment such as dust mask, non-skid safety shoes, hard hat, and/or hearing protection used for appropriate conditions will reduce personal injuries. .
- Prevent unintentional starting. Make sure the switch is in the off-position before connecting to power source.
- Carrying power tools with your finger on the switch or energizing power tools that have the switch on invites

accidents.

- Remove any adjusting key or wrench before starting the power tool. A wrench or a key left attached to a rotating part of the power tool may result in personal injury.
- Do not overreach. Keep proper footing and balance at all times. This enables better control of the power tool in unexpected situations.
- Dress properly. Do not wear loose clothing or jewellery. Keep your hair, clothing and gloves away from moving parts. Loose clothes, jewellery or long hair can be caught in moving parts.

POWER TOOL USE AND CARE

- Use the correct power tool for your application. The correct power tool will do the job better and safer at the rate for which it was designed.
- Do not use the power tool if the switch does not tum it on and off properly. Any power tool that cannot be controlled with the switch is dangerous and must be repaired.
- Disconnect the plug from the power source and/or the battery pack before making any adjustments, changing accessories, or storing power tools. Such preventive safety measures reduce the risk of starting the power tool accidentally.
- Store idle power tools out of the reach of children and do not allow persons unfamiliar with the power tool or these instructions to operate the power tool. Power tools are dangerous in the hands of untrained users.



BN Products-USA, LLC.

3450 Sabin Brown Road • Wickenburg, Arizona 85390
(800) 992-3833 • (928) 684-2813 • www.bnproducts.com

- Maintain power tools. Check for misalignment or binding of moving parts, breakage of parts and any other condition that may affect the power tool's operation. If damaged, have the power tool repaired before use. Many accidents are caused by poorly maintained power tools.
- Use the power tool, accessories and tool bits in accordance with these instructions, taking into account the working conditions and the work to be performed. Use of the power tool for operations different from those intended could result in a hazardous situation.

SERVICE

Have your power tool serviced by a qualified repair person using only identical replacement parts. This will ensure that the safety of the power tool is maintained.

PRECAUTION ON USING MIXERS

Attention! - You must abide by the following basic safety measures to prevent electrical shocks, injuries and the danger of fire when using electric tools. Read and abide by these instructions before you start to use any tools.

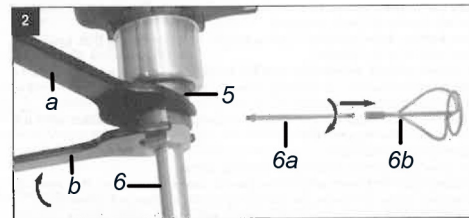
These Instructions must be kept in a safe place.

- The equipment must never be used in areas where an explosive atmosphere exists.
- Never mix in solvents or substances containing solvent that have flash points below 21°C.
- Do not let the electrical cord touch any parts of your body.
- Only use the extension cord approved for use in the working area.
- The unit must only be started and stopped when it is inside a mixing vessel. Ensure that the mixing vessel is placed on a solid, secure base.
- **Never reach into the mixing vessel with your hands or any other object during the mixing process.**
- We recommend that you always wear industrial safety gloves and safety goggles when working with the mixer.
- Wearing close-fitting clothes is mandatory.
- Always allow for twisting due to torque
- Always wear a dust mask

Before Initial Operation

Check to see that the rated voltage on the tool nameplate corresponds to the tool requirement. Before using the tool, read the instruction book carefully.

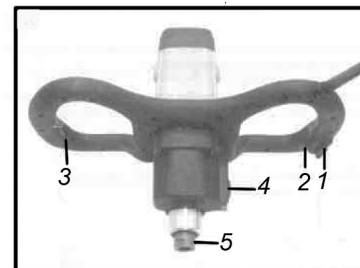
Mixer Assembly (Fig. 2):



The BNR6169 comes with a two part mixing paddle. First screw mixer shaft (6a) together with mixer paddle (6b). Screw the mixer (6) into the mixer (5). Use the two wrenches to tighten. Use one of the wrenches (a) to hold the mixer (5) in place and then use the second wrench (b) to tighten up the mixer (6). Proceed in the reverse sequence to undo the paddle from the mixer.

STARTING THE MIXER

Ensure that the data listed on the nameplate matches the voltage before connecting the unit up to power.



On / Off switch

- Switching on: Press the switch (1)
- Continuous running: Press the locking knob on the switch (1) (2) to lock it in place.
- Switching off: Press the switch (1) briefly
- Speed control: Use the speed control (3) to select the speed.
- Switching between 1st- 2nd gear (4)



BN Products-USA, LLC.

3450 Sabin Brown Road • Wickenburg, Arizona 85390
(800) 992-3833 • (928) 684-2813 • www.bnproducts.com

The switch position enables you to work at high or low speeds. The gear switch position should only be changed when the unit is stopped in order to prevent the gearing from being damaged.

1st gear - Upper position
2nd gear- Lower position

CARE AND MAINTENANCE

- Remove the plug from the socket before making any adjustment, servicing or maintenance.
- Your power tool requires no additional lubrication or maintenance. Always store your power tool in a dry-place.
- If the electric cord is damaged, it must be replaced by the manufacturer, service agent or similarly qualified persons in order to avoid a hazard.

CLEANING

- Always clead the mixing paddles by running the tool in a bucket of clean water.
- Keep the safety devices, ventilation slots and motor housing as free of dirt and dust as possible.
- Clean the unit by rubbing it with a clean cloth or blow it clean using low-pressure compressed air.
- We recommend that you always clean the unit immediately after using it.
- Clean the unit regularly by rubbing it with a damp cloth and a little soft soap. Do not use cleaners or solvents --these will attack the plastic parts in the unit. You must also ensure that water does not get inside of the unit.

CARBON BRUSHES

If excessive sparking occurs you must have the carbon brushes checked by a qualified electrician. Attention! Changing the brushes should be done by a qualified electrician.

MAINTENANCE

There are no parts fitted inside the unit that require maintenance.

CORRECTIVE ACTION IN CASE OF FAILURE

The operating switch is switched on, but the motor is not working.

- Wires in the electric plug or in the socket are loose. Have socket and plug checked or repaired or replaced.
- The switch is faulty. Have the switch replaced.

The operating switch is switched on, but unusual noises can be heard, the motor is not working or only very slowly.

- Switch contact has failed. Have the switch replaced.
- Component jammed. Have the electric tool checked or repaired.
- Too much thrust, as a result the motor is dragging. Use less thrust during the task.
- Gear switch not completely engaged

Motor gets hot.

- Foreign substances have got inside the motor. Have the foreign substances removed.
- Lack of or contaminated lubrication grease. Have lubricating grease applied or replaced.
- Pressure too high. Use less thrust during the task

Frequent or strong sparks on the commutator.

- Short circuit on the armature. Have the armature replaced.
- Carbon brushes worn out or jammed. Have the carbon brushes checked.
- Rough running of the commutator. Have the surface of the commutator cleaned or ground.

For your own safety, never remove parts or accessories of the electric tool during operation, In case of fault or damage have the electric tool repaired only by a qualified workshop or by the manufacturer.





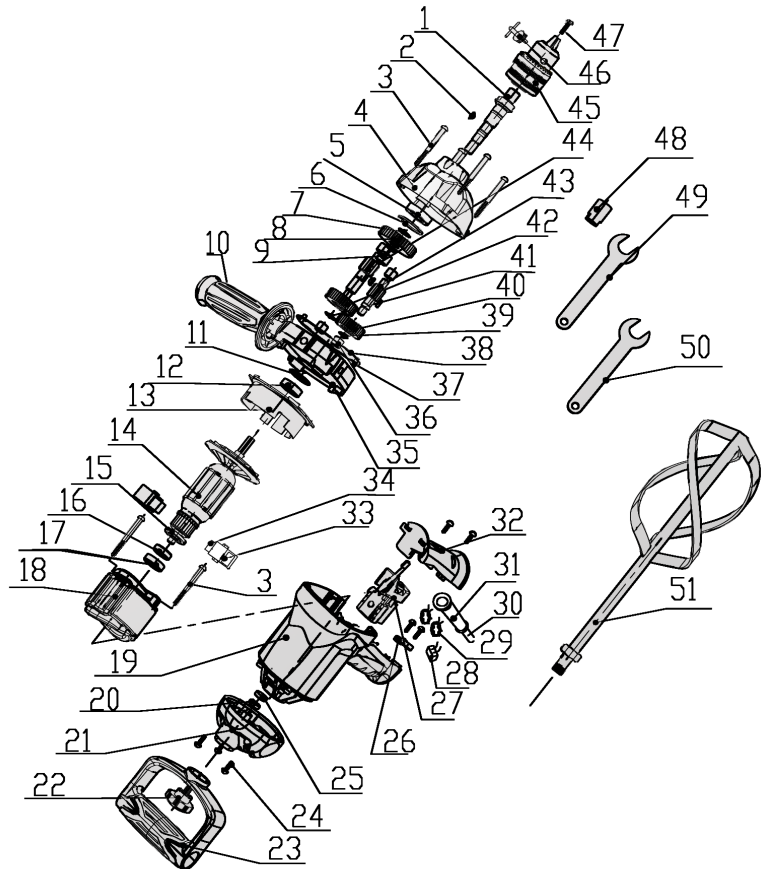
BN Products-USA, LLC.

3450 Sabin Brown Road • Wickenburg, Arizona 85390
 (800) 992-3833 • (928) 684-2813 • www.bnproducts.com

BNR6169 Material Mixer

PARTS LIST (BNR6169)

Part	DESCRIPTION
BNR6169-01	Output shaft
BNR6169-02	Semi-circular key 3×3.7×10
BNR6169-03	Screw ST 4.8×48
BNR6169-04	Gear housing
BNR6169-05	Bearing 6002
BNR6169-06	Collar 32
BNR6169-07	Collar 15
BNR6169-08	Gear for output shaft
BNR6169-09	Bearing hk1010
BNR6169-10	Handle
BNR6169-11	O Ring
BNR6169-12	Bearing 6000
BNR6169-13	Fan guide
BNR6169-14	Rotor
BNR6169-15B	Insulation ring
BNR6169-16	Bearing 608
BNR6169-17	Rubber cover 608
BNR6169-18	Stator
BNR6169-19	Motor housing
BNR6169-20	Screw M8
BNR6169-21	Back cover for motor housing
BNR6169-22	Back handle knob
BNR6169-23	Back handle
BNR6169-24	Screw st 3.8×14
BNR6169-25	Handle nut
BNR6169-26	Cable holder
BNR6169-27	Switch
BNR6169-28	Capacitor
BNR6169-29	Connector
BNR6169-30	Cable
BNR6169-31	Cable sleeve
BNR6169-32	Handle cover
BNR6169-33	Brush holder sets
BNR6169-34	Carbon brush
BNR6169-35	Middle cover
BNR6169-36	Bearing hk0810



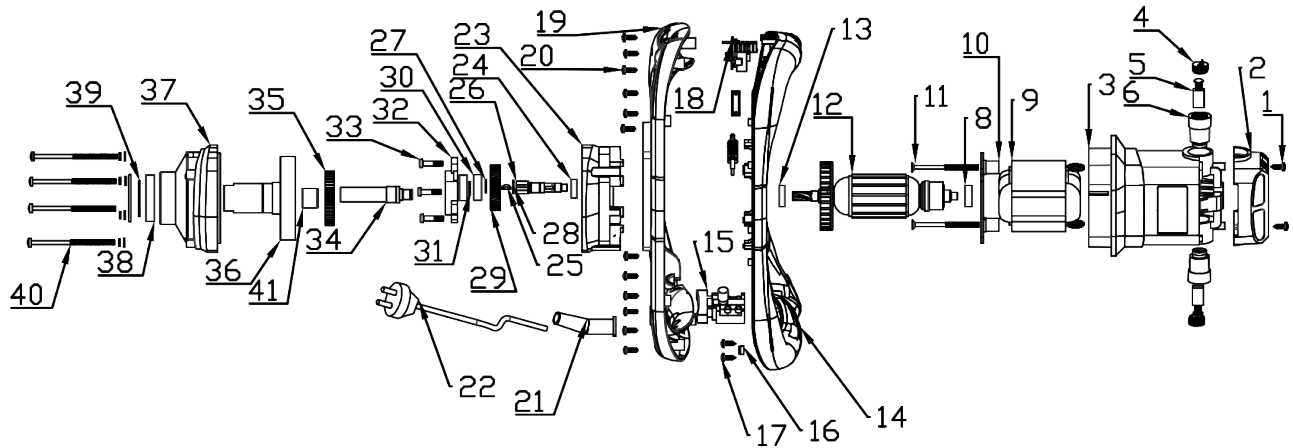
BNR6169-37	Pin 4×6
BNR6169-38	Sealed washer
BNR6169-39	Collar 10
BNR6169-40	Big gear for main driving shaft
BNR6169-41	Collar 12
BNR6169-42	Big gear for sud- driving shaft
BNR6169-43	Main driving shaft
BNR6169-44	Sub-driving shaft
BNR6169-45	Drill chuck
BNR6169-46	Chuck key
BNR6169-47	Chuck screw
BNR6169-48	Connection adapter
BNR6169-49	Wrench 17#
BNR6169-50	Wrench 19#
BNR003-120-51	Mixing paddle



BN Products-USA, LLC.

3450 Sabin Brown Road • Wickenburg, Arizona 85390
 (800) 992-3833 • (928) 684-2813 • www.bnproducts.com

BNR7000 Material Mixer



NO.	ITEM NO.	DESCRIPTION	QTY.
1	BNR7000P-01	SCREW	2
2	BNR7000P-02	HOUSING COVER	1
3	BNR7000P-03	MOTOR HOUSING	1
4	BNR7000P-04	BRUSH COVER & HOLDER	2
5	BNR7000P-05	CARBON BRUSH	2
6	BNR7000P-04	BRUSH HOLDER	2
8	BNR7000P-08	BEARING	1
9	BNR7000P-09	STATOR	1
10	BNR7000P-10	AIR DEFLECTOR	1
11	BNR7000P-11	SCREW	2
12	BNR7000P-12	ROTOR	1
13	BNR7000P-13	BEARING	1
14	BNR7000P-14	HANDLE A	1
15	BNR7000P-15	SWITCH	1
16	BNR7000P-16	CLAMP	1
17	BNR7000P-17	SCREW	2
18	BNR7000P-18	SPEED REGULATION BOARD	1
19	BNR7000P-19	HANDLE B	1
20	BNR7000P-20	SCREW	12
21	BNR7000P-21	CABLE STRAIN	1

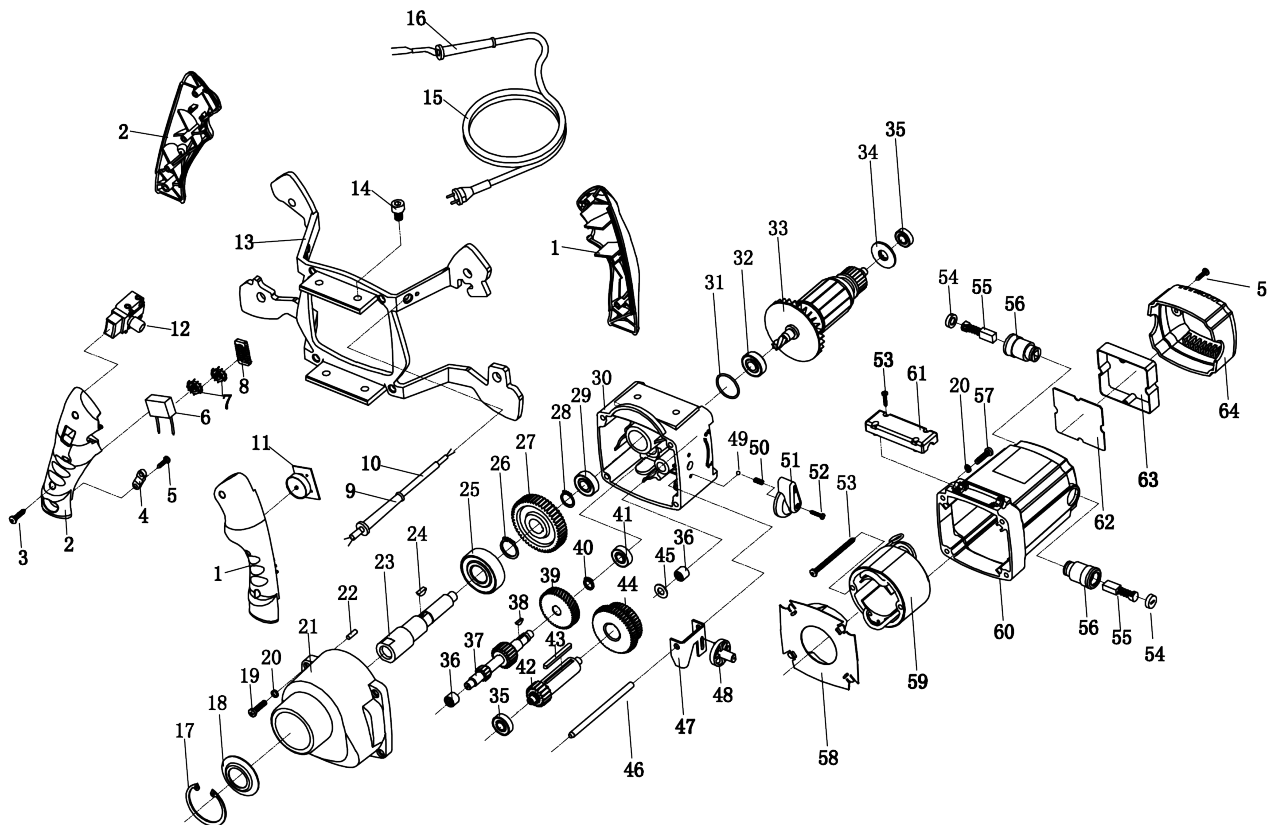
NO.	ITEM NO.	DESCRIPTION	QTY.
22	BNR7000P-22	PLUG	1
23	BNR7000P-23	GEAR BOX	1
24	BNR7000P-24	BEARING	1
25	BNR7000P-25	KEY	2
26	BNR7000P-26	GEAR SHAFT	1
27	BNR7000P-27	RETAINING RING	1
28	BNR7000P-28	RETAINING RING	1
29	BNR7000P-29	GEAR	1
30	BNR7000P-30	BEARING	1
31	BNR7000P-31	RETAINING RING	1
32	BNR7000P-32	BRACKET	1
33	BNR7000P-33	SCREW	3
34	BNR7000P-34	OUTPUT SHAFT	1
35	BNR7000P-35	CYLINDRICAL GEAR	1
36	BNR7000P-36	GEAR RING	1
37	BNR7000P-37	BEARING COVER	1
38	BNR7000P-38	BEARING	1
39	BNR7000P-39	BEARING BUSHING	1
40	BNR7000P-40	SCREW	4
41	BNR7000P-41	NEEDLE BEARING	1



BN Products-USA, LLC.

3450 Sabin Brown Road • Wickenburg, Arizona 85390
(800) 992-3833 • (928) 684-2813 • www.bnproducts.com

BNR6400 Material Mixer





BN Products-USA, LLC.

3450 Sabin Brown Road • Wickenburg, Arizona 85390
 (800) 992-3833 • (928) 684-2813 • www.bnproducts.com

BNR6400 Material Mixer

NO.	ITEM NO.	DESCRIPTION	QTY.
1	BNR6402KP-01	RIGHT HANDLE	1
2		LEFT HANDLE	1
3	BNR6400-03	SCREW ST3.9X20	6
4	BNR6400-06	CLAMP	1
5	BNR6400-07	SCREW ST3.5X16	4
6	BNR6402K-06	CAPACITANCE	1
7	BNR6402K-08	ROUND INDUC-TANCE	2
8	BNR6402K-07	THE INDUCTANCE	1
9	BNR6402K-08	SPEED CONTROL	1
10	BNR6402K-10	SLEEVE (MG)	2
11	BNR6402K-11	CABLE	2
12	BNR6400-02	SWITCH	1
13	BNR6402KP-13	STEEL FRAME	1
14	BNR6400-10	SCREW M8X12	4
15	BNR6400-65	CORD	1
16	BNR6402K-17	SLEEVE (BIG)	1
17	BNR6400-19	SAFETY RING Ø47	1
18	BNR6400-20	DUST COVER	1
19	BNR6400-15	SCREW M5X20	4
20	BNR6402K-21	SPRING WASHER Ø5	8
21	BNR6400-16	BEARING COVER	1
22	BNR6400-32	PIN 4*14	2
23	BNR6400-17	SPINDLE	1
24	BNR6400-18	HEMICYCLE KEY 3X3X10	1
25	BNR6400-22	BEARING 6204 Z	1
26	BNR6400-23	SAFETY RING Ø20	1
27	BNR6400-24	SPINDLE GEAR	1
28	BNR6400-25	SAFETY RING Ø15	1
29	BNR6400-26	BEARING 6000 ZZ	1
30	BNR6400-27	GEAR BOX	1
31	BNR6400-28	SEALRING Ø28*1.9	1
32	BNR6400-29	BEARING 6001 2RS	1
33	BNR6400-30	ARMATURE ASSEM-BLY	1
34	BNR6402K-35	M INSULATION GAS-KET	1
35	BNR6400-31	BEARING 608 Z	2

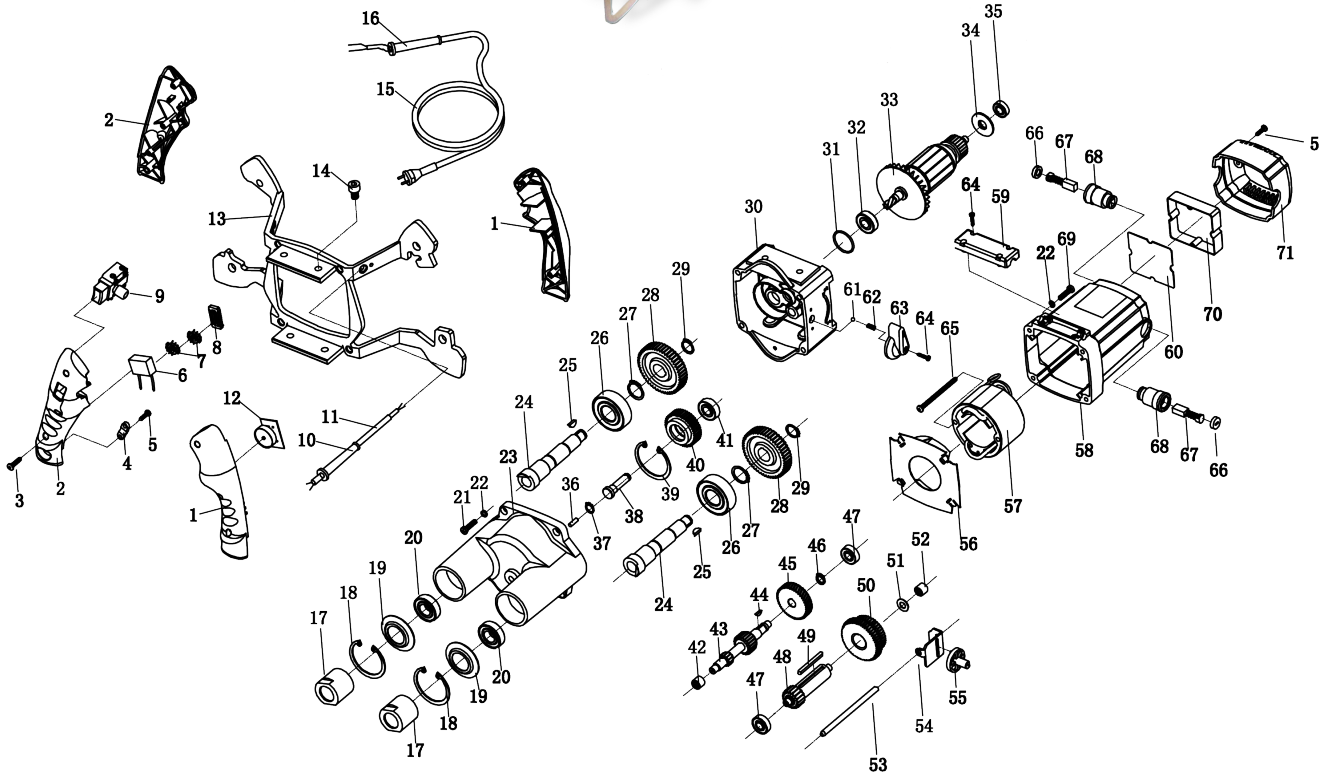
36	BNR6400-33	NEEDLE BEARING HK0810	2
37	BNR6400-34	COUNTERSHAFT	1
38	BNR6400-35	HEMICYCLE KEY 2.5X3.7X10	1
39	BNR6400-36	MOTOR GEAR	1
40	BNR6400-37	SAFETY RING Ø10	1
41	BNR6400-38	BEARING 698 Z	1
42	BNR6400-40	THE THIRD ACTIVE GEAR SHAFT	1
43	BNR6400-41	PARALLEL KEY 4X4X45	1
44	BNR6400-42	SPINDLE DOUBLE GEAR	1
45	BNR6402K-52	FLAT WASHER 16*8*0.8	1
46	BNR6400-44	PIVOT Ø6*106	1
47	BNR6400-45	GUIDE	1
48	BNR6400-46	PARTIAL CORE + ECCENTRIC WHEEL CORE	1
49	BNR6400-48	BALL Ø4	1
50	BNR6400-49	SPRING Ø0.5*Ø3.9*L12	1
51	BNR6400-50	LEVER	1
52	BNR6400-51	SCREW ST3X16	1
53	BNR6400-53	SCREW ST5X65	2
54	BNR6400-60	BRUSH CAP	2
55	BNR6400-CB	CARBON BRUSH 6.5*15*18	2
56	BNR6400-58	BRUSH HOLDER	2
57	BNR6400-55	SCREW M5X25	4
58	BNR6400-52	AIRGUIDE SHIM	1
59	BNR6400-55	THE STATOR (IN-CLUDING THE BRUSH RING)	1
60	BNR6400-56	MOTOR HOUSING	1
61	BNR6402K-60	CLAMP	1
62	BNR6400-61	CONSTANT POWER BOARD	1
63	BNR6400-62	CIRCUIT BOARD SEATS	1
64	BNR6400-63	REAR COVER	1



BN Products-USA, LLC.

3450 Sabin Brown Road • Wickenburg, Arizona 85390
(800) 992-3833 • (928) 684-2813 • www.bnproducts.com

BNR6402K Material Mixer





BN Products-USA, LLC.

3450 Sabin Brown Road • Wickenburg, Arizona 85390
 (800) 992-3833 • (928) 684-2813 • www.bnproducts.com

BNR6402K Material Mixer

NO.	ITEM NO.	DESCRIPTION	QTY.
1	BNR6402KP-01	RIGHT HANDLE	1
2		LEFT HANDLE	1
3	BNR6402K-03	SCREW ST3.9X20	6
4	BNR6400-02	CLAMP	1
5	BNR6402K-05	SCREW ST3.5X16	4
6	BNR6402K-06	CAPACITANCE	1
7	BNR6402K-08	ROUND INDUCTANCE	2
8	BNR6402K-07	THE INDUCTANCE	1
9	BNR6402K-08	SPEED CONTROL	1
10	BNR6402K-10	SLEEVE (MG)	2
11	BNR6402K-11	CABLE	2
12	BNR6402K-12	SWITCH	1
13	BNR6402KP-13	STEEL FRAME	1
14	BNR6402K-15	SCREW M8X12	4
15	BNR6400-16	CORD	1
16	BNR6402K-17	SLEEVE (BIG)	1
17	BNR6402K-18	PADDLE LOCKING COLLAR SET (LEFT AND RIGHT)	1
18	BNR6402K-19	SAFETY RING Ø40	2
19	BNR6402K-20	DUST COVER	2
20	BNR6402K-21	BEARING 6203 Z	2
21	BNR6402K-22	SCREW M5X20	4
22	BNR6402K-23	SPRING WASHER Ø5	8
23	BNR6402K-24	BEARING COVER	1
24	BNR6402K-25	SPINDLE	2
25	BNR6402K-26	HEMICYCLE KEY 3X3X10	2
26	BNR6402K-27	BEARING 6002 Z	2
27	BNR6402K-28	SAFETY RING Ø17	2
28	BNR6402K-29	SPINDLE GEAR	2
29	BNR6402K-30	SAFETY RING Ø12	2
30	BNR6402K-31	GEAR BOX	1
31	BNR6402K-32	SEALRING Ø28*1.9	1
32	BNR6402K-33	BEARING 6001 2RS	1
33	BNR6400-30	ROTOR ASSEMBLY	1
34	BNR6402K-35	M INSULATION GASKET	1
35	BNR6402K-36	BEARING 608 Z	1
36	BNR6402K-37	PIN 4*14	2
37	BNR6402K-38	SAFETY RING Ø9	1

38	BNR6402K-39	REVERSE SHAFT	1
39	BNR6402K-40	SAFETY RING Ø26	1
40	BNR6402K-41	REVERSING SLIDING GEAR	1
41	BNR6402K-42	BEARING 6000 ZZ	1
42	BNR6402K-43	NEEDLE BEARING HK0810	1
43	BNR6402K-44	THE SECOND ACTIVE GEAR SHAFT	1
44	BNR6402K-45	HEMICYCLE KEY 2.5X3.7X10	1
45	BNR6402K-46	MOTOR GEAR	1
46	BNR6402K-47	SAFETY RING Ø10	1
47	BNR6402K-48	BEARING 698 Z	2
48	BNR6402K-49	THE THIRD ACTIVE GEAR SHAFT	1
49	BNR6402K-50	PARALLEL KEY 4X4X45	1
50	BNR6402K-51	SPINDLE DOUBLE GEAR	1
51	BNR6402K-52	FLAT WASHER 16*8*0.8	1
52	BNR6402K-53	NEEDLE BEARING HK0808	1
53	BNR6402K-54	PIVOT Ø6*89	1
54	BNR6402K-55	GUIDE	1
55	BNR6402K-56	PARTIAL CORE + ECCENTRIC WHEEL CORE	1
56	BNR6400-52	AIRGUIDE SHIM	1
57	BNR6400-55	THE STATOR (INCLUDING THE BRUSH RING)	1
58	BNR6400-56	MOTOR HOUSING	1
59	BNR6402K-60	CLAMP	1
60	BNR6402K-61	CONSTANT POWER BOARD	1
61	BNR6402K-62	BALL Ø4	1
62	BNR6402K-63	SPRING Ø0.5*Ø3.9*L12	1
63	BNR6402K-64	LEVER	1
64	BNR6402K-65	SCREW ST3X16	5
65	BNR6402K-66	SCREW ST5X65	2
66	BNR6402K-67	BRUSH CAP	2
67	BNR6400-59	CARBON BRUSH 6.5*15*18	2
68	BNR6402K-69	BRUSH HOLDER	2
69	BNR6402K-70	SCREW M5X25	4
70	BNR6400-62	CIRCUIT BOARD SEATS	1
71	BNR6400-63	REAR COVER	1



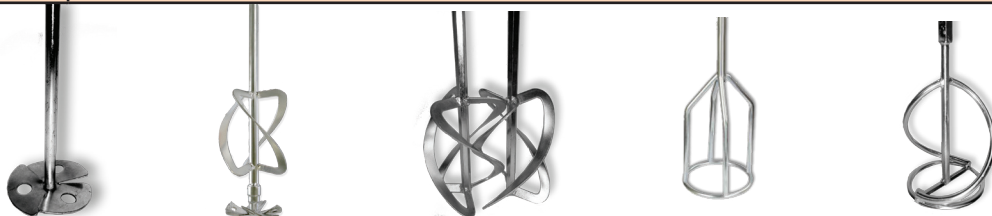
BN Products-USA, LLC.

3450 Sabin Brown Road • Wickenburg, Arizona 85390
 (800) 992-3833 • (928) 684-2813 • www.bnproducts.com

Paddles for the BN Power Mixers



BNRA0315	1/2" Drill Chuck
BNR001 - Specify Diameter	120 mm (4.75") or 140 mm (5.50") or 160 mm (6.30") • Overall length: 60 cm (24") • Designed for plasters, adhesive mortars, mortars, tile adhesives and fillers, best for sticky and viscous materials. • Material Flow: Bottom to Top • Connection: M14 x 2 male threads
BNR002-57	Diameter: 57 mm (2.25") • Overall length: 13.5" • Designed for paints, lacquers, thin coatings, and ready-mix plaster. • Material Flow: Top to Bottom • Connection: 5/16" hex shank
BNR003- Specify Diameter	120 mm (4.75") or 140 mm (5.50") or 160 mm (6.30") • Overall length: 60 cm (24") • Designed for concrete, mortars, plasters, heat-insulating plasters, and epoxy resin with sand, best for heavy and high viscosity materials. • Material Flow: Top to Bottom • Connection: M14 x 2 male threads
BNR004- Specify Diameter	120 mm (4.75") or 140 mm (5.50") • Overall length: 60 cm (24") • Designed for thinset, tile adhesive, grout, adhesive mortars, ready-mix mortars, and pointing mortars, and fillers, best for small volumes on high speed mixers. • Material Flow: Bottom to Top • Connection: M14 x 2 male threads
BNR005-120	Diameter: 120 mm (4.75") • Overall length: 60 cm (24") • Designed for plasters, adhesive mortars, tile adhesive and fillers, best for sticky and viscous materials. • Material Flow: Bottom to Top • Connection: M14 x 2 male threads



BNR006-100	Diameter: 100 mm (3.875") • Overall length: 60 cm (24") • Designed for paints, lacquers, glazings, primers, and paste, best for small volumes of low viscosity materials • Recommended to use on BNR6169. • Material Flow: Top to Bottom • Connection: M14 x 2 male threads
BNR007-140	Diameter: 140mm (5-1/2") • This is a special paddle that fits the BNR7000 TwinMaster Mixer™. It turns in two directions at the same time.
BNR008-120K Paddles sold in pairs left & right	Diameter: 120 mm (4.75") Overall length: 60 cm (24") • Designed for concrete, cement, mortars, and grouts with aggregate less than 3/8" diameter. Also for gypsum lime plaster, fibrated aluminum roof coatings and paints. Not for highly viscous materials. • Material Flow: Top to Bottom • Connection: 13 mm or 1/2" Hex Shank, for BNR6402K mixer.
BNR009-Specify Diameter	120 mm (4.75") or 140 mm (5.50") • Overall length: 60 cm (24") • Designed for fillers, bitumen coatings, joint cement, epoxy-resin compounds, and grouting compounds, best for prevention of lump formation and lessens adding air into the mixture. Mixture flow is parallel. • Connection: M14 x 2 male threads
BNR010-Specify Diameter	120 mm (4.75") or 140 mm (5.50") • Overall length: 60 cm (24") • Designed for gypsum-lime plaster, fibrated aluminum roof coatings, and paints. This paddle can be disassembled in two pieces and fit into a carrying case. • Material Flow: Top to Bottom • Connection: M14 x 2 male thread