



BN Products-USA™

A DIVISION OF BENNER-NAWMAN, INC.

WWW.BNPRODUCTS.COM

HB-16W - 5/8" Portable Rebar Bender

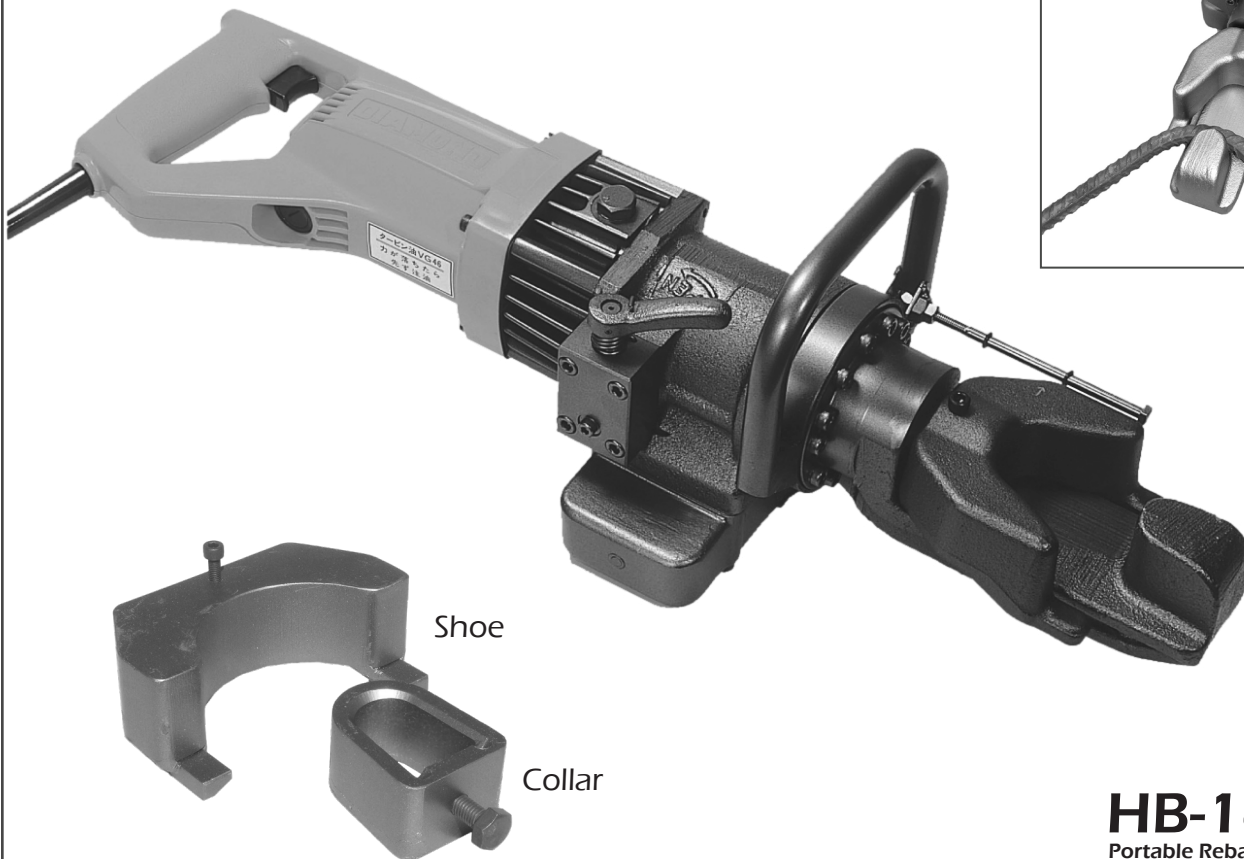
BN Products-USA™ Customer Service (800) 992-3833

115V 60Hz / 10.0A

| 5/8" - #5 Rebar (16mm) Grade 60

| 0-135° / 8 Seconds

Electric / Hydraulic Portable Rebar Bender



HB-16W
Portable Rebar Bender

The HB-16W portable heavy-duty electric/hydraulic rebar bender helps save valuable man hours by bending rebar up to 5/8" (#5) grade 60 from 0-135 degrees in-place at the job site.

This portable electric/hydraulic rebar bender ships in a durable protective carrying case, and includes additional hydraulic oil and a maintenance tool kit.

BN Products-USA™

3450 N Sabin Brown Road | Wickenburg, AZ 85390

(800) 992-3833 | www.BNProducts.com

**PRODUCT
PARTS GUIDE**



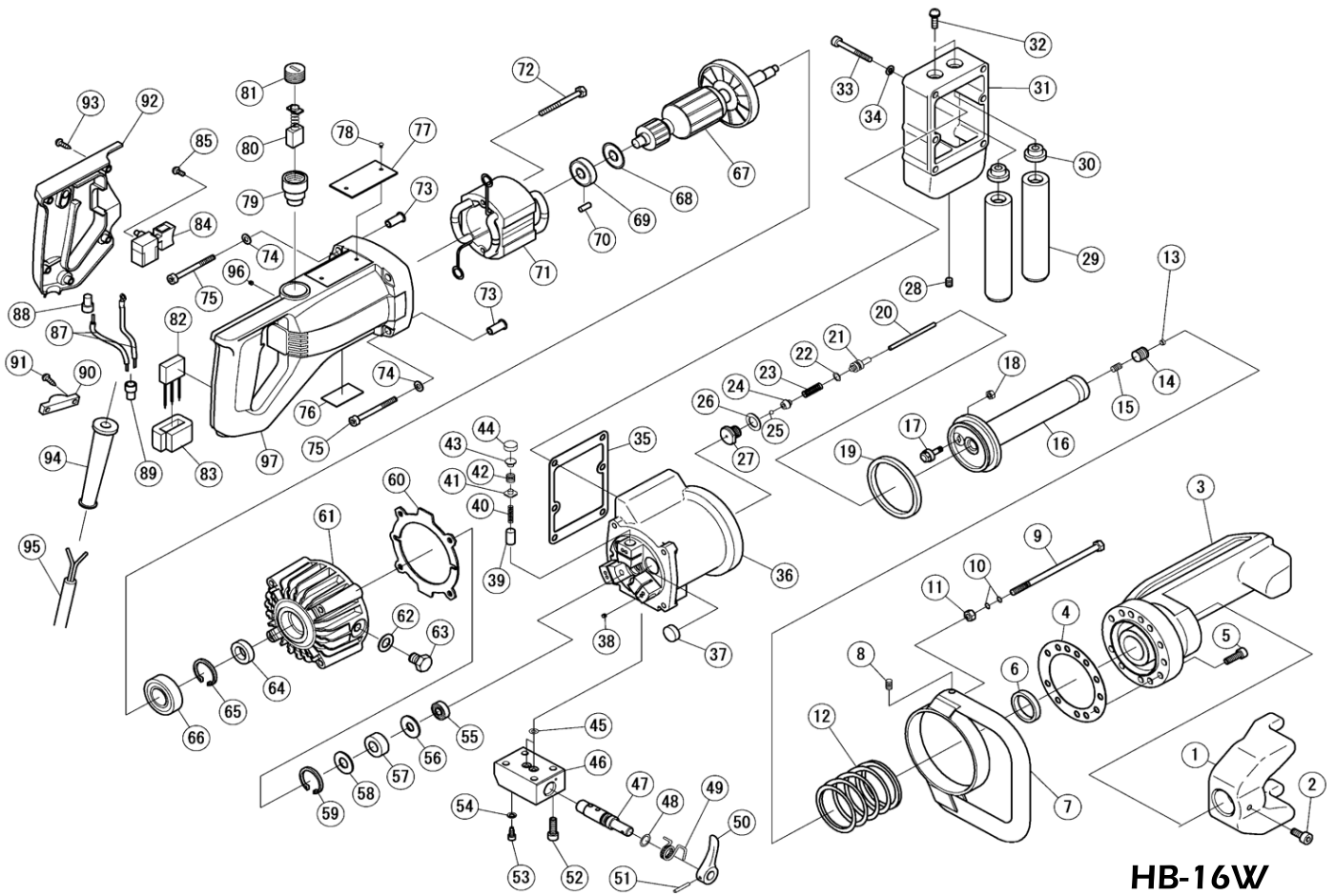
BN Products-USA™

A DIVISION OF BENNER-NAWMAN, INC.

WWW.BNPRODUCTS.COM

HB-16W - 5/8" Portable Rebar Bender

BN Products-USA™ Customer Service (800) 992-3833



HB-16W
Portable Rebar Bender

| No. | Part No. | Part Name | Qty |
|-----|------------|------------------|-----|
| 1 | 1HB16041 | BENDING SHOE | 1 |
| 2 | 1HB4221600 | CAP BOLT M6×10 | 1 |
| 3 | 1HB1603A | HOUSING | 1 |
| 4 | 1HB2611 | CYLINDER PACKING | 1 |
| 5 | 7CB06028 | CAP BOLT M6×28 | 12 |
| 6 | 3P1031 | SEAL PACKING | 2 |
| 7 | 1DBR29481 | HANDLE | 1 |
| 8 | 7SS06015 | SET SCREW M6×15 | 1 |
| 9 | 7B06120 | SET BAR M6×120 | 1 |
| 10 | 7ORP5 | O RING P5 | 2 |
| 11 | 7N006 | U NUT M6 | 1 |

| No. | Part No. | Part Name | Qty |
|-----|----------|-----------------|-----|
| 12 | 1HB205 | RETURN SPRING | 1 |
| 13 | 1HB1620 | RUBBER PLIG | 1 |
| 14 | 7PT1/8 | PLUG PT1/8 | 1 |
| 15 | 7SS06015 | SET SCREW M6×12 | 1 |
| 16 | 1HB16012 | PISTON | 1 |
| 17 | 1HB2032 | RETURN VALVE | 1 |
| 18 | 7NU005 | NUT M5 | 1 |
| 19 | 1C1318 | SEAL PACKING | 1 |
| 20 | 1HB16051 | ADJUST ROD | 1 |
| 21 | 1DBR2939 | SPRING GUIDE | 1 |
| 22 | 7ORP7 | O RING P7 | 1 |



BN Products-USA™

A DIVISION OF BENNER-NAWMAN, INC.

WWW.BNPRODUCTS.COM

HB-16W - 5/8" Portable Rebar Bender

BN Products-USA™ Customer Service (800) 992-3833

| No. | Part No. | Part Name | Qty |
|-----|------------|-----------------------|-----|
| 23 | 1DBR2942 | SAFETY VALVE SPRING | 1 |
| 24 | 1DBR2938 | VALVE SET | 1 |
| 25 | 7SBTA5/32 | STEEL BALL 5/32 | 1 |
| 26 | 7WF12 | SEAL WASHER WF12 | 1 |
| 27 | 1DBR2941 | SAFETY VALVE SEAT | 1 |
| 28 | 7PT1/8 | PLUG PT1/8 | 1 |
| 29 | 1C2570 | AIR BAG | 2 |
| 30 | 1CM2027 | AIR BAG NUT | 2 |
| 31 | 1HB207A | AIR BAG COVER | 1 |
| 32 | 1CL006 | AIR BAG SET BPOL | 2 |
| 33 | 7CB06050 | CAP BOLT M6×50 | 6 |
| 34 | 7SW006 | SPRING WASHER M6 | 6 |
| 35 | 1HB208 | AIR BAG COVER PACKING | 1 |
| 36 | 1HB201B | CYLINDER | 1 |
| 37 | 3P1044 | MAGNET FILTER | 3 |
| 38 | 7SS04004 | SET SCREW M4×4 | 6 |
| 39 | 1C1327 | RAM | 3 |
| 40 | 1C1330 | RAM RETURN SPRING | 3 |
| 41 | 1C13281 | DELIVERY VALVE | 3 |
| 42 | 1C1331 | DELIVERY VALVE SPRING | 3 |
| 43 | 1C13352 | SPRING GUIDE | 3 |
| 44 | 1C13292 | PUMP HEAD SEAL | 3 |
| 45 | 7ORP6 | O RING P-6 | 2 |
| 46 | 1DBR2925 | VALVE CASE | 1 |
| 47 | 1DBR2921 | ROTARY VALVE | 1 |
| 48 | 1DBR2946 | O RING P10A | 1 |
| 49 | 1DBR2923 | VALVE LEVER SPRING | 1 |
| 50 | 1DBR2922 | VALVE LEVER | 1 |
| 51 | 7SP03020W | SPRING PIN Ø3×20 | 1 |
| 52 | 7CB06030 | CAP BOLT M6×30 | 4 |
| 53 | 1DBR5012 | BOLT M5×12 | 1 |
| 54 | 7WF05 | SEAL WASHER W5 | 1 |
| 55 | 7698 | BALL BEARING 698 | 1 |
| 56 | 1C1325 | BEARING GUIDE | 1 |
| 57 | 712NQ2410A | NEEDLE BEARING | 1 |
| 58 | 1C1325 | BEARING GUIDE | 1 |
| 59 | 7SRH027 | SNAP RING HR27 | 1 |
| 60 | 1C1615A | PUMP CASE PACKING | 1 |

| No. | Part No. | Part Name | Qty |
|-----|------------------------|---------------------|-----|
| 61 | 7HTK305471B | PUMP CASE | 1 |
| 62 | 7WF10 | SEAL WASHER WF10 | 1 |
| 63 | 7B10015 | OIL PLUG | 1 |
| 64 | 7SC15257 | OIL SEAL | 1 |
| 65 | 7SRH026 | SNAP RING H26 | 1 |
| 66 | 76002VV | BALL BEARING 6002VV | 1 |
| 67 | 7HTK360274CB | ARMATURE WITH CAM | 1 |
| 68 | 7HTK956387B | DUST SEAL A | 1 |
| 69 | 7608VV | BALL BEARING 608VV | 1 |
| 70 | 7HTK946362B | BEARING LOCK | 1 |
| 71 | 7HTK981610CB | STATOR COIL | 1 |
| 72 | 7NT05060 | TAPPING SCREW D5×60 | 2 |
| 73 | 7HTK305472B | SLEEVE | 4 |
| 74 | 7PW005 | PLATE WASHER M5 | 4 |
| 75 | 7CB05080 | CAP BOLT M5×80 | 4 |
| 76 | MANUFACTURER DECAL | | 1 |
| 77 | NAME PLATE | | 1 |
| 78 | RIVET | | 1 |
| 79 | 7HTK981586B | BRUSH HOLDER | 2 |
| 80 | 7HTK999043B | CARBON BRUSH SET | 1 |
| 81 | 7HTK961781B | BRUSH CAP | 2 |
| 82 | 7HTK308283B | CONDENSER | 1 |
| 83 | 7HTK930153B | SUPPORT B | 1 |
| 84 | 4V0001N | SWITCH | 1 |
| 85 | 7WB035006 | SCREW 3.5×6 | 2 |
| 87 | 7HTK971825B | **LEAD WIRE | 1 |
| 88 | 7HTK959141B | CONNECTOR 50092 | 1 |
| 89 | 7HTK959140B | CONNECTOR 50091 | 1 |
| 90 | 7HTK960266B | CORD CLIP | 1 |
| 91 | 7FNS04016 | TAPPING SCREW 4×16 | 2 |
| 92 | 7HTK002065B | SWITCH COVER | 1 |
| 93 | 7NT04020 | TAPPING SCREW 4×20 | 5 |
| 94 | 7HTK938051B | CORD ARMOR | 1 |
| 95 | 4V0001V | CORD SET | 1 |
| 96 | 7SS04005 | SET SCREW 4×5 | 2 |
| 97 | 7HTK305474B | MOTOR HOUSING | 1 |
| *NP | 1HB3107500 1HB16041 | BENDING SHOE (WIDE) | 1 |
| *NP | 1HB3107800 | BENDING COVER | 1 |

*NP = Not pictured in Diagram

**Lead wire pair, including terminal, are combined as a single part



BN Products-USA™

A DIVISION OF BENNER-NAWMAN, INC.

WWW.BNPRODUCTS.COM

HB-16W - 5/8" Portable Rebar Bender

BN Products-USA™ Customer Service (800) 992-3833

Tool Specifications

| | |
|--------------------------|---|
| Maximum Bending Diameter | 5/8" #5 Rebar (16mm) - Grade 60 |
| Bending Angle / Speed | 0 - 135 degrees / 8 Seconds |
| Voltage/Amperage | 115V 50/60Hz / 10 amps |
| Tool Weight | 33 lbs (15 kg) |
| Dimensions L x W x H | 22.8" (585mm) x 7.6" (195mm) x 8" (205mm) |

Notes

