



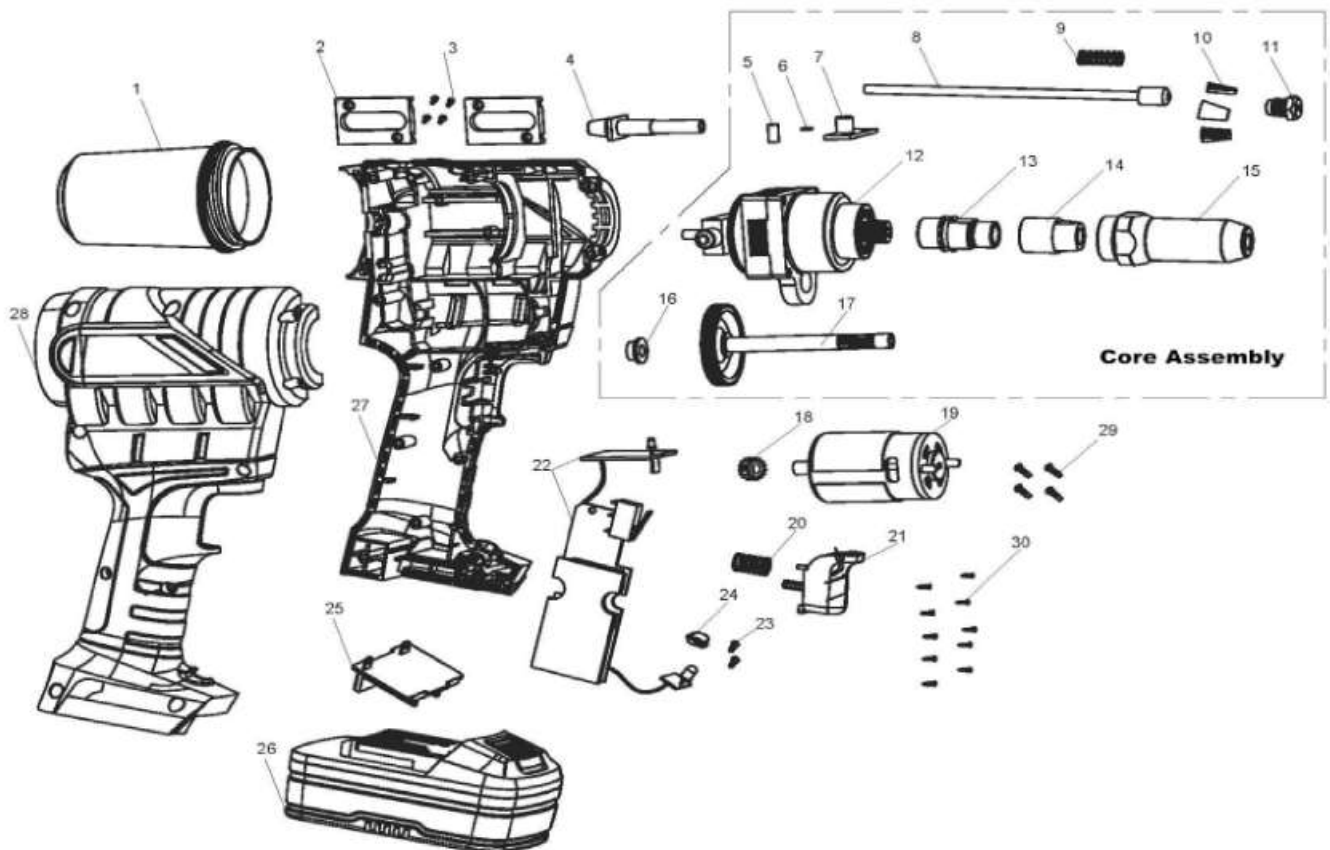
BN PRODUCTS-USA, LLC.

A Division of Benner-Nawman, Inc.

BNCP-100 Cordless Pop Rivet Gun



Parts Breakdown





BN PRODUCTS-USA, LLC.

A Division of Benner-Nawman, Inc.

BNCP-100

Cordless Pop Rivet Gun

NO.	Item ID	Parts Name	Qty	
1	BNCPP-100-01	Set nail Cup	1	Core Assembly
2	BNCPP-100-02	Slider	2	
3	BNCPP-100-03	ST2.9x8-F head Screws	4	
4	BNCPP-100-04	Needle tube	1	
5	BNCPP-100-05	Rubber column	1	
6	BNCPP-100-06	Magnet	1	
7	BNCPP-100-07	Magnetic induction block cover	1	
8	BNCPP-100-08	Metal Drive Tube	1	
9	BNCPP-100-09	Compression spring	1	
10	BNCPP-100-10	Claws (Set of3)	3	
11	BNCPP-100-11	Muzzle	1	
12	BNCPP-100-12	Movement	1	
13	BNCPP-100-13	Claw back cover	1	
14	BNCPP-100-14	Claw Qiantao	1	
15	BNCPP-100-15	Tips	1	
16	BNCPP-100-16	Copper sets	1	
17	BNCPP-100-17	Gear Shaft	1	
18	BNCPP-100-18	Motor gear	1	
19	BNCPP-100-19	Motor	1	
20	BNCPP-100-20	Compression spring	1	
21	BNCPP-100-21	Switch Caps	1	
22	BNCPP-100-22	Circuit Board Assembly	1	
23	BNCPP-100-23	ST2.9x10-F Pan Head Screws	2	
24	BNCPP-100-24	Power display cover	1	
25	BNCPP-100-25	Battery clip	1	
26	BNCPP-100-26	Battery pack	1	
27	BNCPP-100-27	Left cabinet	1	
28	BNCPP-100-28	Right cabinet	1	
29	BNCPP-100-29	M3X5 pan head scr'spr washers	4	
30	BNCPP-100-30	ST2.9X16-F pan head screws	10	