



BNG2000i

INVERTER GENERATOR SET

BN PRODUCTS, LLC.
3450 Sabin Brown Road
Wickenburg, AZ 85390
(800) 992-3833
mail@bnproducts.com

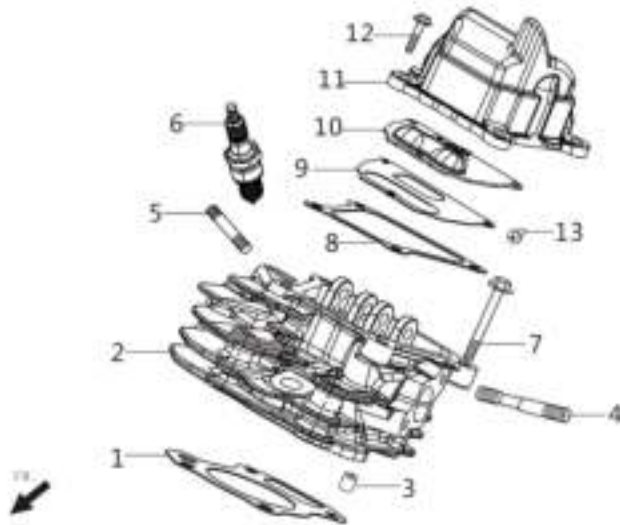
PARTS MANUAL



PLEASE NOTE
Some replacement parts are sold in kits
or assemblies and are not available in-
dividually.



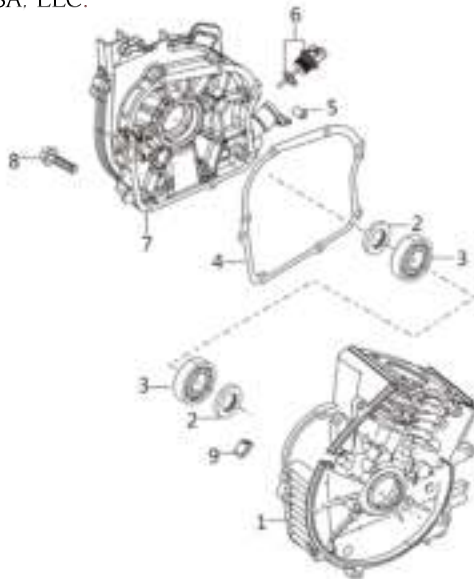
BNG2000i HEAD SUBASSEMBLY, CYLINDER / PLUG, SPARK
BN PRODUCTS-USA, LLC.



No:	Item ID:	Description
1	GP148-3020-001-00-00	GASKET, CYLINDER HEAD
2	148.0010.001.00.00	CYLINDER HEAD
3	188.3170.001.00.00	PIN
4	0900.06090.00.01	STUD
5	0900.06025.00.01	STUD
6	148.2160.001.00.00	PLUG, SPARK
7	5789.06050.00.03	BOLT, CYLINDER HEAD
8	148.3000.001.00.00	GASKET, COVER SUBASSEMBLY
9	148.3088.001.00.00	Breathing slice combination
10	148.7061.001.00.00	GASKET, BREATHING
11	148.0001.001.00.00	COVER SUBASSEMBLY, CYLINDER HEAD
12	5789.06020.00.01	BOLT
13	0818.03008.00.01	Cross recessed pan head screw



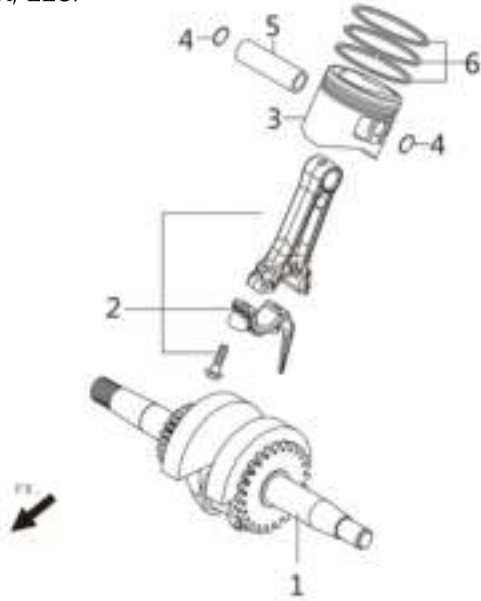
BNG2000i CRANKCASE./COVER SUBASSEMBLY, CRANKCASE
BN PRODUCTS-USA. LLC.



No:	Item ID:	Description
1	GP148-1000-001-00-00	CRANKCASE SUBASSEMBLY.
2	GP148-3150-001-00-00	OIL-SEAL
3	GP148-0280-001-00-00	BEARING
4	GP148-3040-001-00-00	GASKET, CRANKCASE
5	GP188-3170-001-00-00	PIN
6	GP168-1230-001-00-00	DIPSTICK SUBASSEMBLY, OIL
7	GP148-1010-001-00-00	OVER SUBASSEMBLY, CRANKCASE
8	GP5789-06020-00-01	BOLT
9	GP148-6487-001-00-00	Rubber plug



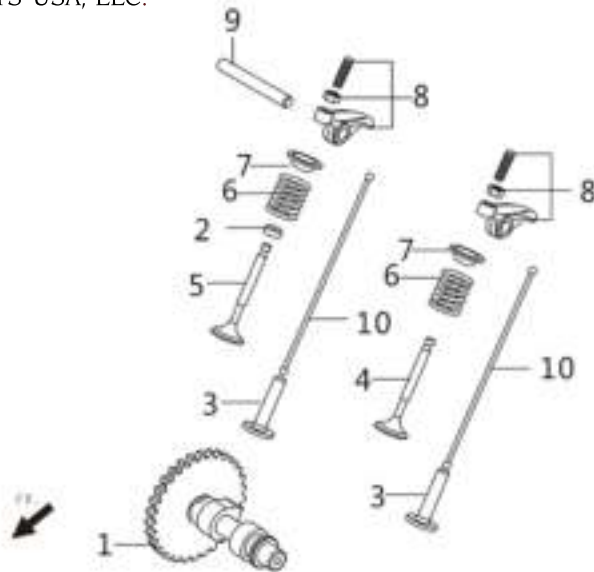
BNG2000i RING SET - OIL - ROD - CRANKSHAFT - CONNETING
BN PRODUCTS-USA, LLC.



No:	Item ID:	Description
1	GP148-0180-001-00-00	CRANKSHAFT ASSY.
2	GP148-0190-001-00-00	ROD, CONNECTING
3	GP148-0200-001-00-00	PISTON
4	GP148-0230-001-00-00	CLIP, PISTON PIN
5	GP148-0220-001-00-00	PIN, PISTON
6	GP148-0210-001-00-00	RING SET, OIL



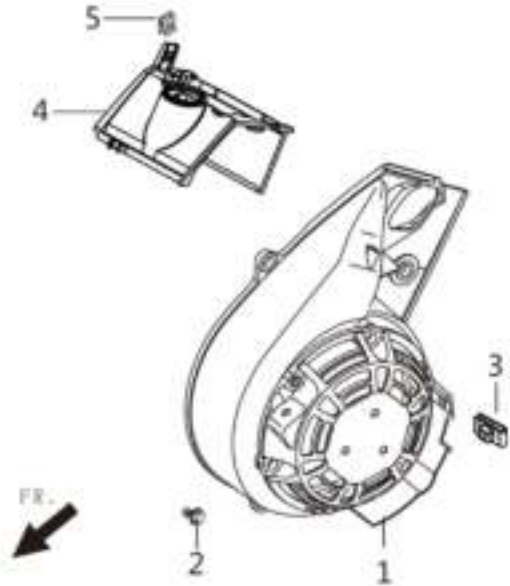
BNG2000i TRAIN - VALVE - CAMSHAFT SUBASSEMBLY
BN PRODUCTS-USA, LLC.



No:	Item ID:	Description
1	GP148-1040-001-00-00	CAMSHAFT ASSY.
2	GP148-0085-001-00-00	OIL BAFFLE
3	GP148-1030-001-00-00	TAPPET
4	GP148-0020-001-00-00	INTAKE VALVE
5	GP148-0030-001-00-00	EXHAUST VALVE
6	GP148-0040-001-00-00	VALVE SPRING
7	GP148-0060-001-00-00	VALVE-SPRING SEAT
8	GP148-0100-001-00-00	VALVE ROCKER
9	GP148-0101-001-00-00	VALVE ROCKER SHAFT
10	GP148-0160-001-00-00	RODS



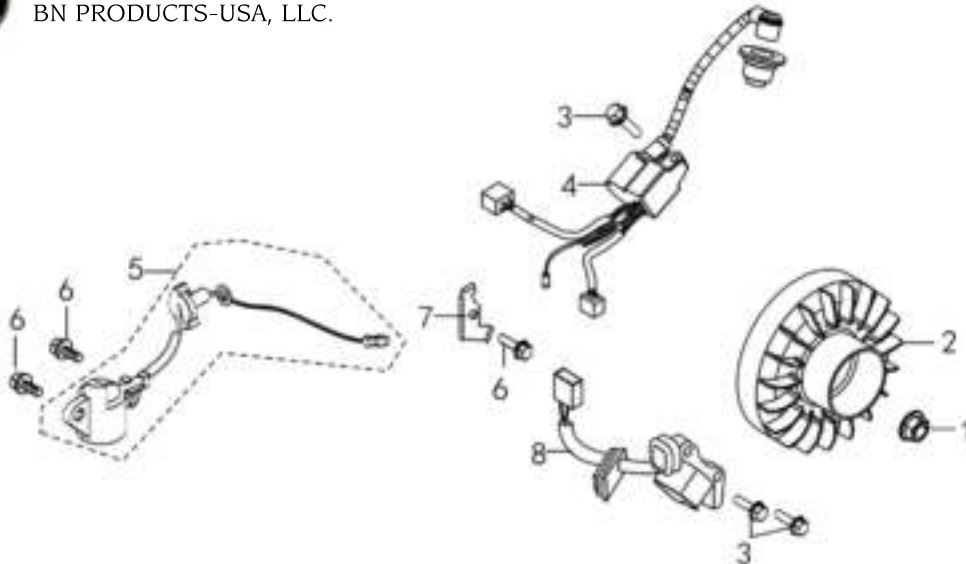
BNG2000i STARTER - RECOIL
BN PRODUCTS-USA, LLC.



No:	Item ID:	Description
1	GP148-2000-001-00-00	STARTER,RECOIL
2	GP5789-06016-00-01	BOLT
3	GP6178-05000-00-04	NUT
4	GP148-2230-001-00-00	Air guide plate, CYLINDER HEAD
5	GP148-4701-001-00-00	CLIP



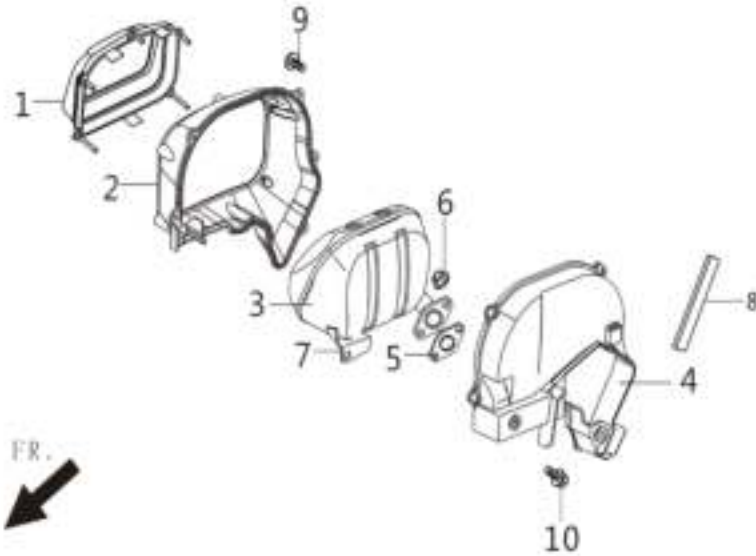
BNG2000i FLYWHEEL - IMPELLER - STARTER PULLEY - IGNITION COIL
BN PRODUCTS-USA, LLC.



No:	Item ID:	Description
1	GP6177-12000-05-01	NUT, FLYWHEEL
2	GP148-2040-001-00-00	FLYWHEEL SUBASSEMBLY
3	GP5789-06020-00-01	BOLT
4	GP148-1522-001-00-00	IGNITION
5	GP148-1020-001-00-00	OIL ALERT
6	GP5789-06012-00-01	BOLT
7	GP148-2090-001-00-00	PLATE,OIL ALERT
8	GP148-2050-001-00-00	COIL, IGNITION



BNG2000i MUFFLER ASSY.
BN PRODUCTS-USA, LLC.



No:	Item ID:	Description
1	GP148-5231-001-00-00	Muffler cover rubber sleeve
2	GP148-2450-001-00-00	Muffler drain cover
3	GP148-2400-001-00-00	MUFFLER ASSY.
4	GP148-2420-001-00-00	Muffler cover rubber sleeve
5	GP148-3100-001-00-00	GASKET, EXHAUST OUTLET 148F
6	GP6177-06000-00-01	Hex flange nut
7	GP5789-06012-00-01	Hexagon Flange bolt
8	GP148-5232-001-00-00	Muffler cover seal rubber
9	GP0845-48016-00-01	Cross reces pan tapping screw
10	GP5789-06016-00-01	Hexagon flange bolt



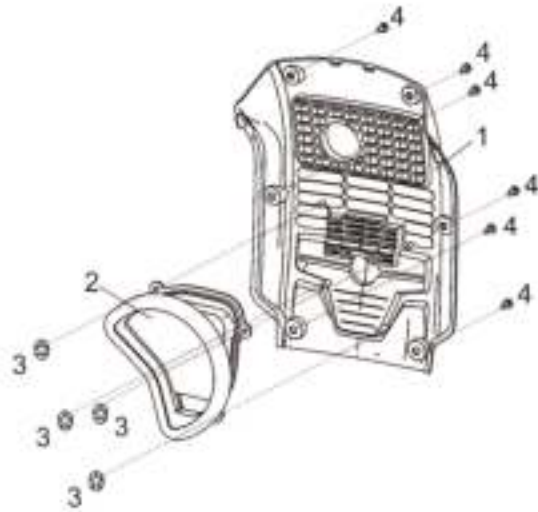
BNG2000i TANK - FUEL
BN PRODUCTS-USA, LLC.



No:	Item ID:	Description
1	GP467-3200-C01-00-00	TANK, FUEL
2	GP467-3200-001-00-02	FUEL FILTER
3	GP467-3200-001-00-03	SHEATH
4	GP467-3200-C02-00-01	TANK CAP
5	GP467-5522-003-00-00	SHEATH
6	GP148-2330-C02-00-00	OIL TUBE
7	GP458-2360-007-00-00	FERRULE



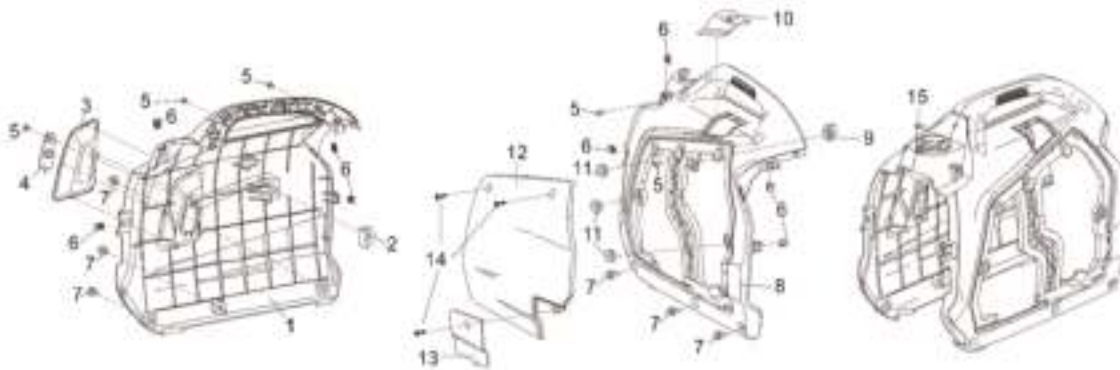
BNG2000i TAIL COVER
BN PRODUCTS-USA, LLC.



No:	Item ID:	Description
1	GP467-2435-001-04-00	Tail cover
2	GP467-5599-001-00-00	ventilate sheath
3	GP467-5598-001-00-00	Plum ring
4	GP0818-05016-00-07	Cross recessed pan head screw



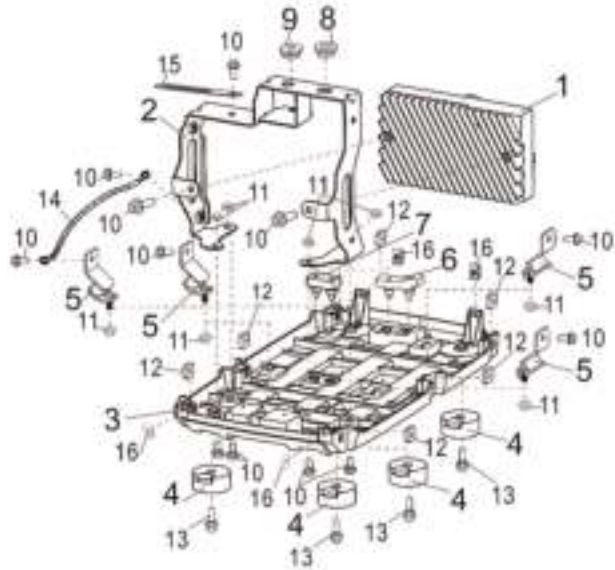
BNG2000i SHELL
BN PRODUCTS-USA, LLC.



No:	Item ID:	Description
1	GP467-2220-001-R6-00	LEFT SHELL
2	GP467-6234-001-00-00	Sheath
3	GP467-2221-001-00-00	Ornament shell
4	GP148-2186-001-00-00	Cover plate
5	GP0818-05016-00-07	Cross recessed pan head screw
6	GP6178-05000-00-04	NUT
7	GP467-4789-001-00-00	Step bolts
8	GP467-2222-001-R6-00	RIGHT SHELL
9	GP467-6234-002-00-00	Sheath
10	GP467-4259-001-R6-00	Spark-plug outer cover
11	GP467-5522-002-00-00	Sheath
12	GP467-5596-001-R6-00	Maintenance cover
13	GP467-5597-001-R6-00	Dipstick cover
14	GP0949-05014-00-07	Anti-off Cross recessed pan head screw



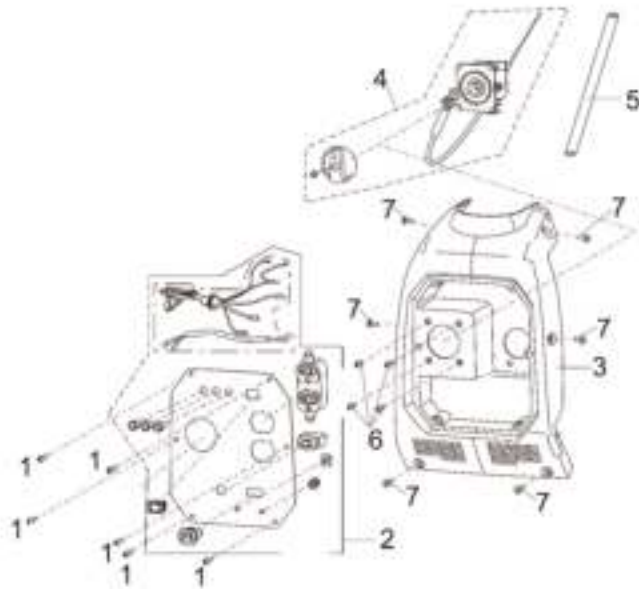
BNG2000i BASEPLATE - INVERTER -SUPPORT
BN PRODUCTS-USA, LLC.



No:	Item ID:	Description
1	GP467-2470-003-00-00	Inverter
2	GP467-2471-001-00-00	Steel support
3	GP467-3340-001-00-00	BASEPLATE
4	GP467-3350-001-00-00	SEAT,FRAME
5	GP467-3360-001-00-00	SEAT,FRAME
6	GP467-5523-001-00-00	Rubber bearing
7	GP467-5523-002-00-00	Rubber bearing
8	GP467-5522-002-00-00	Sheath
9	GP467-5522-001-00-00	Sheath
10	GP5787-06012-00-01	BOLT
11	GP6177-06000-00-01	NUT
12	GP467-5926-001-00-00	NUT
13	GP5789-06016-00-01	BOLT
14	GP467-3410-003-00-00	Ground wire
15	GP188-1220-002-00-00	Cable clamp
16	GP6178-05000-00-04	NUT



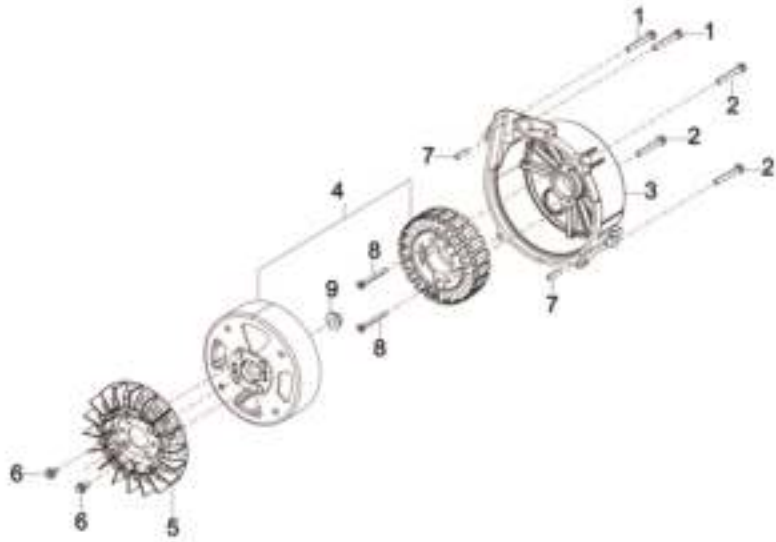
BNG2000i CONTROL - ASSY.
BN PRODUCTS-USA, LLC.



No:	Item ID:	Description
1	GP0818-05016-00-07	Cross recessed pan head screw
2	GP467-3370-022-00-00	PANEL, CONTROL, ASSY.
3	GP467-6655-001-00-00	Panel bed
4	GP467-2140-001-00-00	Triangle Switch combination
5	GP467-2332-002-00-00	PVC fiberglass tube
6	GP0819-04212-00-01	Sheetmetal screws
7	GP0818-05016-00-07	Cross recessed pan head screw



BNG2000i ROTOR - STATOR
BN PRODUCTS-USA, LLC.



No:	Item ID:	Description
1	GP5789-06030-00-01	BOLT
2	GP5789-06025-00-01	SHROUD, MOTOR
3	GP467-4060-001-00-00	STATOR COMP
4	GP467-4000-002-00-00	ROTOR COMP
5	GP148-2030-001-63-00	FAN BLADE
6	GP5789-06012-00-01	BOLT
7	GP188-3170-001-00-00	PIN
8	GP5789-05035-00-01	BOLT
9	GP6177-12000-05-01	NUT