



BN Products-USA™

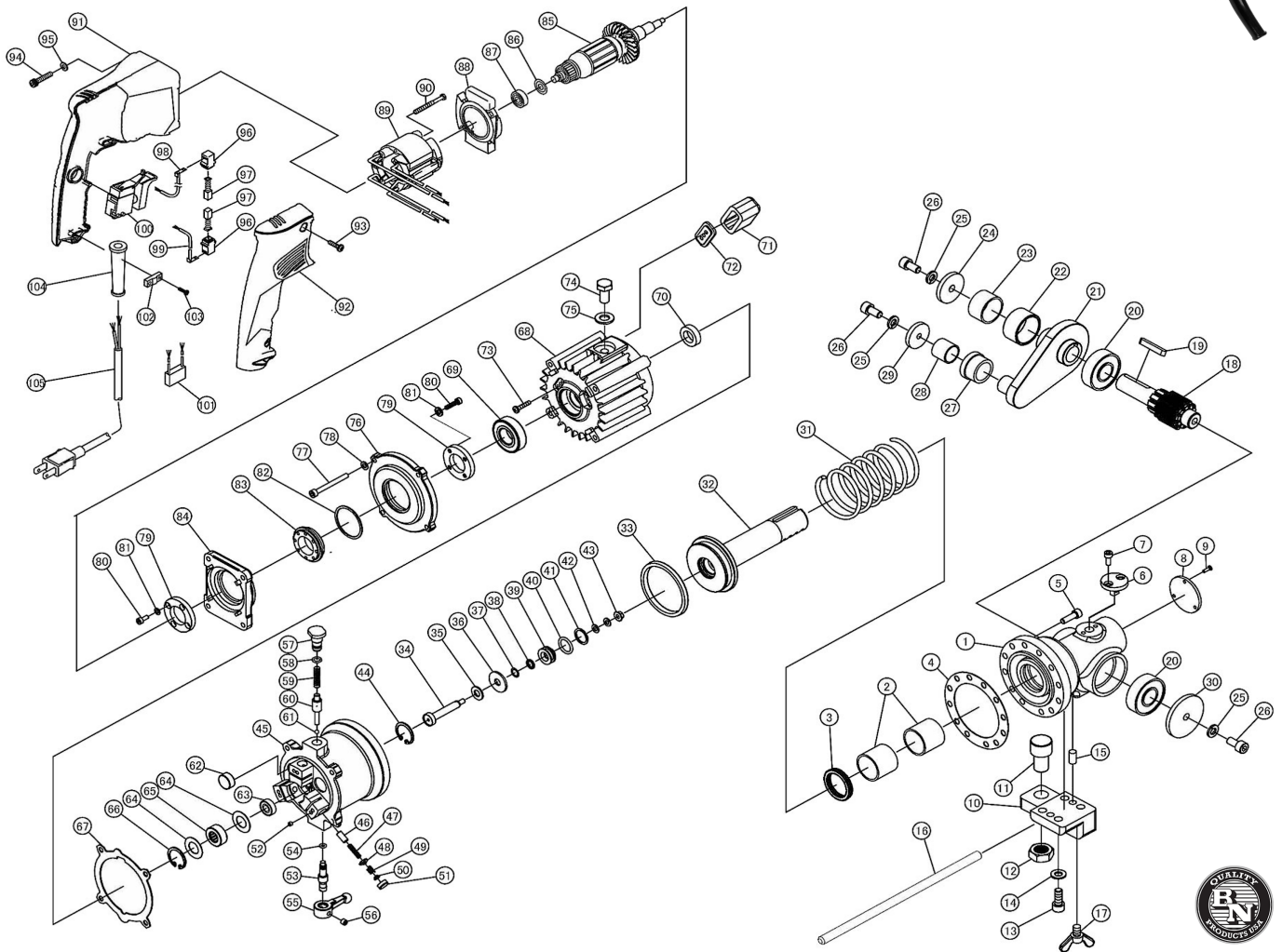
A DIVISION OF BENNER-NAWMAN, INC.

WWW.BNPRODUCTS.COM

5/8" #5 In-Place Rebar Bender DBS-16H

- Model Name: DBS-16H Electric/Hydraulic Rebar Bender
- Bending angle / speed: 90 degree, 4 seconds
- Max diameter / tensile strength: up to D16.0mm #5 (5/8), 620N/mm2 (Grade 60) Rebar
- Bending Radius: R31 (1.25" R)
- Power / Amps / Watt: 115v, 8.9A, 1020W, 1.67 hp
- Dimensions: L470 x W145 x H270mm (18.5" x 5.7" x 10.7")
- Weight: Approx 26.5 lbs. (12 kg)

DBS-16H



BN Products-USA™

3450 N Sabin Brown Road | Wickenburg, AZ 85390

(800) 992-3833 | www.BNProducts.com

PRODUCT PARTS GUIDE

**BN Products-USA™**

A DIVISION OF BENNER-NAWMAN, INC.

WWW.BNPRODUCTS.COM

**5/8" #5 In-Place Rebar Bender
DBS-16H****DBS-16H PARTS GUIDE**

No.	Part Number	Description	Qty
1	1BS1027800	Housing	1
2	7BM3030FB	Bush BM3030FB	2
3	1C16021	SKY Packing (SKY 30)	1
4	1BS4259300	Cylinder packing	1
5	7CB06022	CAP BOLT (M6X22)	12
6	1BC4208400	Key (DBC-16H)	1
7	7CB05012	Hexagon socket head cap screw 5 x 12	2
8	1BS4258700	Housing cap	1
9	7FB03010	FLAT HEAD BOLT (M3 x 10)	3
10	1BS3132400	Stopper Stay	1
11	1BC4208200	STOPPER BOLT	1
12	7N016S3	Hexagon nut (3 types) 16	1
13	7CB08020	CAP BOLT (M8X20)	4
14	7GW0008	TEETHED WASHER (M8)	4
15	7PP10016A	Parallel Pin 10 x 16	2
16	7RD0B10250	Rod	1
17	7WB08012	Wing bolt 8 x 12	1
18	1BS4258900	Pinion	1
19	7K0606038R2H	Key 6 x 6 x 38 (double rounded)	1
20	762042RS	Bearings 62042 RS	2
21	1BS3132600	Swivel Arm	1
22	1BS4259100	Center Roller (39)	1
23	7DUB3020	DU Bush DUB 3020	1
24	1BS4259200	Washer	1
25	7SW008	Spring Washer	3
26	7CB08015	CAP BOLT (M8X15)	3
27	1BC4209000	BENDING ROLLER (DBC-16H)	1
28	7DUB2020	DU BUSH	1
29	1BC4209102	Washer NEW STYLE	1
30	1BS4259000	Pinion Washer	1
31	1BS4258800	Return spring	1
32	1BS3132500	Piston	1

No.	Part Number	Description	Qty
33	1C1604	SEAL PACKING (ODI60-70-6)	1
34	3AP4224002	Return Valve	1
35	7BW008	Belleville Spring Washer 8	1
36	1CB4104002	GUIDE CLAMP	1
37	7SPNC8	SPNC PACKING	1
38	7BRP8B	BACK UP RING P8	1
39	1C4152300	Return Valve Guide	1
40	7ORP16	O-RING P16	1
41	7BRP16B	Backup Ring P16	1
42	3AP4233400	Return Valve Collar	1
43	7NU005	U Nut M5	1
44	7SRH026	SNAP RING H26	1
45	1BS1027900	Cylinder	1
46	1C1971	Ram (+/-0)	3
47	1C1972	Ram return spring (for φ6)	3
48	1C1973	Delivery valve (for φ6)	3
49	1C1331	Deliveries Valve Spring	3
50	1C13352	Spring Guide (NEW STYLE)	3
51	1C13292	Pump Head Seal (11 mm)	3
52	7SS04004	SET SCREW (M4X4)	6
53	3P1013	Needle Valve	1
54	7ORP4	O Ring P4	1
55	3P1014B	Position Stopper B	1
56	7SS06006	Hexagon Socket Set Screw (hollowed point) 6 x 6	2
57	1BS4259500	Pilot stopper	1
58	7ORP7	O Ring P7	1
59	7WT820	Spring	1
60	1BS4259400	Pilot Valve	1
61	7SBTA4.5	Steel ball S4.5	1
62	3P1044	MAGNET FILTER (NEW STYLE)	2

**BN Products-USA™**

A DIVISION OF BENNER-NAWMAN, INC.

WWW.BNPRODUCTS.COM

**5/8" #5 In-Place Rebar Bender
DBS-16H****DBS-16H PARTS GUIDE**

No.	Part Number	Description	Qty
63	7698	Bearing 698	1
64	1C1325	Bearing guide	1
65	712NQ2410A	Needle bearing (RMAST8)	1
66	1C1326	Snap ring (H27)	1
67	1C1615	Pump case housing	1
68	1BS2068500	Pump case	1
69	76002VV	Ball Bearing (6002VV)	1
70	1C1342	OIL SEAL (SC-15-25-7)	1
71	1C4199300	Air Bag	2
72	1C4199400	Air back nut	2
73	7P204020	Pan Head Screw (2 points) 4 x 20	4
74	1C1304	BOLT, (OIL PLUG) (M10X15)	1
75	7WF10	Seal Washer WF 10	1
76	1BS3132300	Distance piece P	1
77	7CB05100	Hexagon Socket Head Bolt 5 x 100	4
78	7GW005	Washer 5	4
79	3AP4230600	Washer	2
80	7CBS04010	Hexagon Socket Head Cap Screw (low head) 4 x 10	8
81	7GW004	Washer 4	8
82	7JASO20371ATF	O-ring JASO 2037 1A	1
83	1C4257900	Joint Adapter	1

No.	Part Number	Description	Qty
84	3AP3133300	Distance piece M	1
85	7AR2068400	Armature Assembly	1
86	7HTK982631B	Washer (A) 982631	1
87	7608VV	Ball Bearing (7608VV)	1
88	7HTK335244B	Fan Guide	1
89	7HTK340849B	Stator 110V	1
90	7HTK961672B	Hexagon Tapping Screw D 4 x 50	2
91	7HTK335241B	Motor housing	1
92	7HTK335242B	Switch cover	1
93	7HTK301653B	Tapping Screw (D4x20)	3
94	1C1311B	Cap bolt (M5X25)	4
95	7SPW005	Plain Washer 5	4
96	7HTK955203B	Brush Holder	2
97	7HTK999041B	Carbon Brush	1
98	7HTK324537B	Lead wire (A) Brown	1
99	7HTK324538B	Lead Wire (A) Blue	1
100	7HTK323575B	Switch	1
101	7HTK930039B	Condenser	1
102	7HTK937631B	Cord Clip	1
103	7HTK984750B	Flanged Tapping Screw D4 x 16	2
104	7HTK938051B	Cord Armor D 10.1	1
105	7COD0752C050J	Electrical cord 0.75 x 2 C x 5.0 M 110v	1



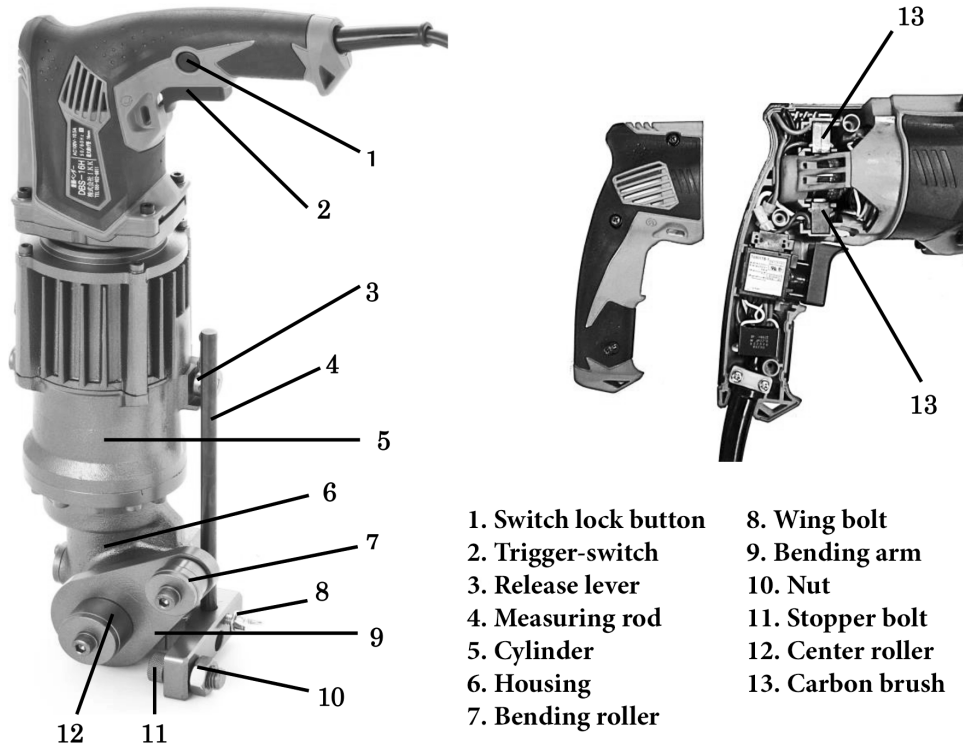


BN Products-USA™

A DIVISION OF BENNER-NAWMAN, INC.

WWW.BNPRODUCTS.COM

5/8" #5 In-Place Rebar Bender DBS-16H



- | | |
|-----------------------|-------------------|
| 1. Switch lock button | 8. Wing bolt |
| 2. Trigger-switch | 9. Bending arm |
| 3. Release lever | 10. Nut |
| 4. Measuring rod | 11. Stopper bolt |
| 5. Cylinder | 12. Center roller |
| 6. Housing | 13. Carbon brush |
| 7. Bending roller | |

BN Products-USA™

3450 N. SABIN BROWN ROAD
WICKENBURG, AZ 85390
(800) 992-3833

WWW.BNPRODUCTS.COM