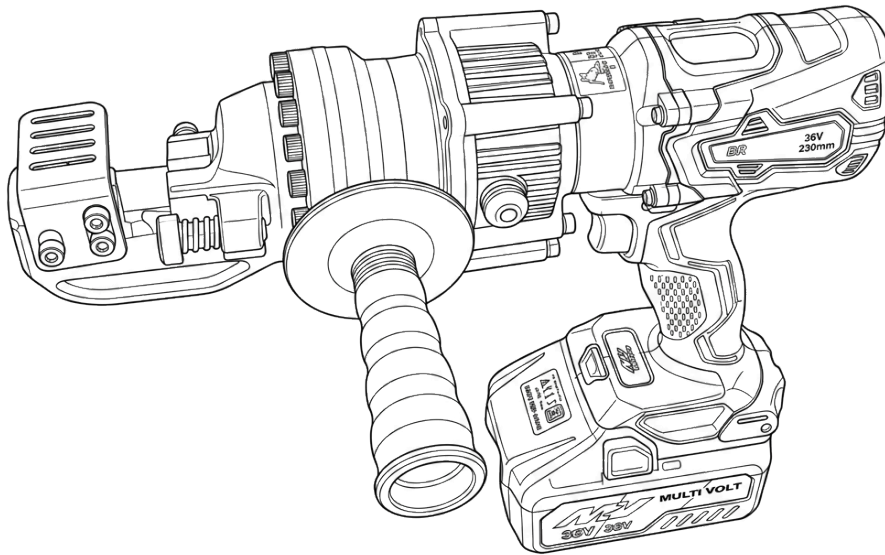


36V - Cordless | 5/8" (#5) Grade 60

Hydraulic Rebar Cutter

DIAMOND®



DCC-1636BHL
Cordless Hydraulic
Rebar Cutter

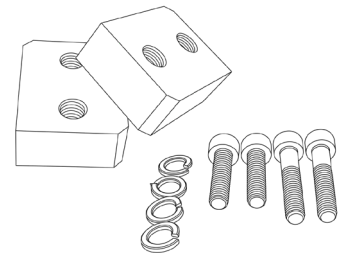
The DCC-1636BHL Cordless Rebar Cutter will safely and cleanly cut rebar up to 5/8" diameter #5 (16mm) grade 60.

This self-contained electric/hydraulic unit will also cut other items like chain, bolts, and rod.

A safety relief valve for retracting the piston and a cutting guard are standard features.

Replacement Cutting Blocks:

RB-1636



Specifications

Maximum Cutting Diameter	5/8" (#5) Rebar (16mm) Grade 60
Speed	3 seconds
Voltage/Amperage	36V DC Metabo BSL36B18 18-36V Multivolt platform 8.0/4.0Ah 1440W
Tool Weight	18.6 lbs (5.8 kg)
Dimensions L x W x H (mm)	13.4" x 3.66" x 10.4 (340 x 92 x 264) (without handle)

Rev 6 | March 2026



BN Products-USA™

A DIVISION OF BENNER-NAWMAN, INC.

DCC-1636BHL

Rebar Cutter | Parts Guide

Parts Listing - DCC-1636BHL

No.	Part No.	Part Name	Qty
1	1C2071901	HOUSING	1
2	7USI26	USI PACKING	1
3	7B10030T11	STOPPER BOLT 10X30	1
4	1C16031	LOCK SPRING	1
5	1CL003	CUTTER BLOCK NO. 13L	1
6	1C4199500	CUTTER GUARD	1
7	7CB205022	CAP BOLT WITH WASHER M5X22	2
8	7CB06018	CAP BOLT M6X18	13
9	1C4283100	RETURN SPRING	1
10	1C3142901	PISTON	1
11	7K0606023R2H	PISTON KEY	1
12	7ORP49RF	O RING P49RF	1
13	7BRP49B	BACK UP RING P49	1
14	1CL003	CUTTER BLOCK NO. 13L	1
15	7CB205015	CAP BOLT WITH WASHER M5X15	2
16	1C4138501	RETURN VALVE	1
17	7BW008	DISK SPRING 8	1
18	7SRH026	SNAP RING H26	1
19	1CB4104002	GUIDE CLAMP	1
20	7SPNC8	SPNC PACKING SPNC8	1
21	7BRP8B	BACK UP RING P8T2	1
22	1C4152300	RETURN VALVE GUIDE	1
23	7ORP16	O RING P16	1
24	7BRP16B	BACK UP RING P16T2	1
25	7SPW005	PLATE WASHER S5	2
26	7NU005	U NUT 5	1
27	1C2071100	CYLINDER	1
28	1C4272700	CYLINDER PACKING	1
29	1C4103200	RAM	3
30	1C4273700	RAM RETURN SPRING	3
31	1C197301	DELIVERY VALVE	3
32	1C1331	DELIVERY VALVE SPRING	3
33	1C13352	SPRING GUIDE	3
34	1C13292	PUMP HEAD SEAL	3
35	1C4196500	RELEASE VALVE	1
36	7ORS4	O RING S4	1
37	3P1044	MAGNET FILTER	2
38	7635	BALL BEARING	1
39	1C4137200	BEARING GUIDE (2)	1
40	7RNAF81510	NEEDLE BEARING	1
41	1C4103000	BEARING GUIDE	1
42	7SRH020	SNAP RING H20	1
43	1C2044700	PUMP CASE	1

44	1C4143403	PUMP CASE PACKING	1
45	7SC12257	OIL SEAL	1
46	1C4137300	AIR BAG	1
47	1C4137400	AIR BAG NUT	1
48	7NT04012	TAPPING SCREW 4X12	2
49	7BB10008	BUTTON BOLT 10X8	1
50	7WF10	SEAL WASHER WF10	1
51	76901ZZ	BALL BEARING 6901ZZ	1
52	3AP3127500	DISTANCE PIECE P	1
53	7CB05045	CAP BOLT M5X45	2
54	7CB05050	CAP BOLT M5X50	4
55	7GW005	WASHER M5	6
56	7JASO20371ATF	O RING	1
57	1C3141100	DISTANCE PIECE M	1
58	3AP4230600	WASHER	1
59	7CB04010	CAP BOLT M4X10	4
60	7GW004	WASHER M4	4
61	76303ZZ	BEARING	1
62	1C3141000	CAM SHAFT	1
63	7DP03015	DOWEL PIN 3X15	5
64	7NT04030	TAPPING SCREW 4X30	4
65	7SW004	SPRING WASHER M4	4
66	1C2071300	SHIFT PLATE	1
67	7HTK372226B	SHIFT DOG	1
68	7HTK331895B	SCREW SET (2 PCS.)	2
69	7HTK339755B	SHIFT ARM	1
70	7HTK372225B	REAR CASE	1
71	7HTK339774B	PLANET GEAR (B) SET (5 PCS.)	5
72	7HTK339758B	SLIDE RING GEAR	1
73	7HTK339759B	PINION (B)	1
74	7HTK331926B	NEEDLE BEARING SET (4 PCS)	4
75	7HTK334441B	PLANET GEAR (A) SET(4 PCS)	4
76	7HTK339760B	FIRST RING GEAR	1
77	7HTK339761B	WASHER (B)	1
78	7HTK339762B	MOTOR SPACER	1
79	7HTK361070B	ROTOR PINION SET	1
80	7HTK372885B	HOUSING (A) (B) SET	1
81	7HTK373161B	TERMINAL PIECE SET	1
82	7HTK313687B	FLANGE TAPPING SCREW D3X16	10
83	7HTK370151B	SWITCH	1
84	(BSL36A18)	MULTI-VOLT BATTERY	1
85	(UC18YSL3)	BATTERY CHARGER	1
86	1C1627	SIDE HANDLE	1
	7CSP100	PLASTIC CARRYING CASE	1



BN Products-USA™

A DIVISION OF BENNER-NAWMAN, INC.

DCC-1636BHL

Rebar Cutter | Parts Guide

DCC-1636BHL - Maintenance Parts Available

Maintenance parts and replaceable components are available through BN Products-USA™ Distributors.

If assistance is required, please contact BN Products-USA™ Customer Service at (800) 992-3833.

PRODUCT NUMBER	DESCRIPTION
RB-1636	Cutting Blocks - Set of two for the DCC-1636BHL Cordless Rebar Cutter
BN7356	Hydraulic Oil (1 Quart)
TU1618	Tune-Up Kit - DCC-1636BHL Cordless Rebar Cutter
7CSP100	Replacement Molded Carrying Case for the DCC-1636BHL Cordless Rebar Cutter and accessories



BN Products-USA™

THE MOST TRUSTED NAME IN REBAR TOOLS