



BN PRODUCTS-USA, LLC.

3450 Sabin Brown Road • Wickenburg, Arizona 85390
(800) 992-3833 • (928) 684-2813 • www.bnproducts.com

BNMS-50 Mini Mixing Station Parts Manual

The BNMS-50 portable 5-gallon mixer is easy to setup and operate. The perfect accessory for those smaller mixing jobs.

The bucket locking system prevents bucket spinning during mixing and the bucket can be easily removed and ready to pour.

When used with the BNR6400 mixer, the coatings can be mixed hands free for timed mixes. This stand is light weight and folds together to be carried like a suit case.



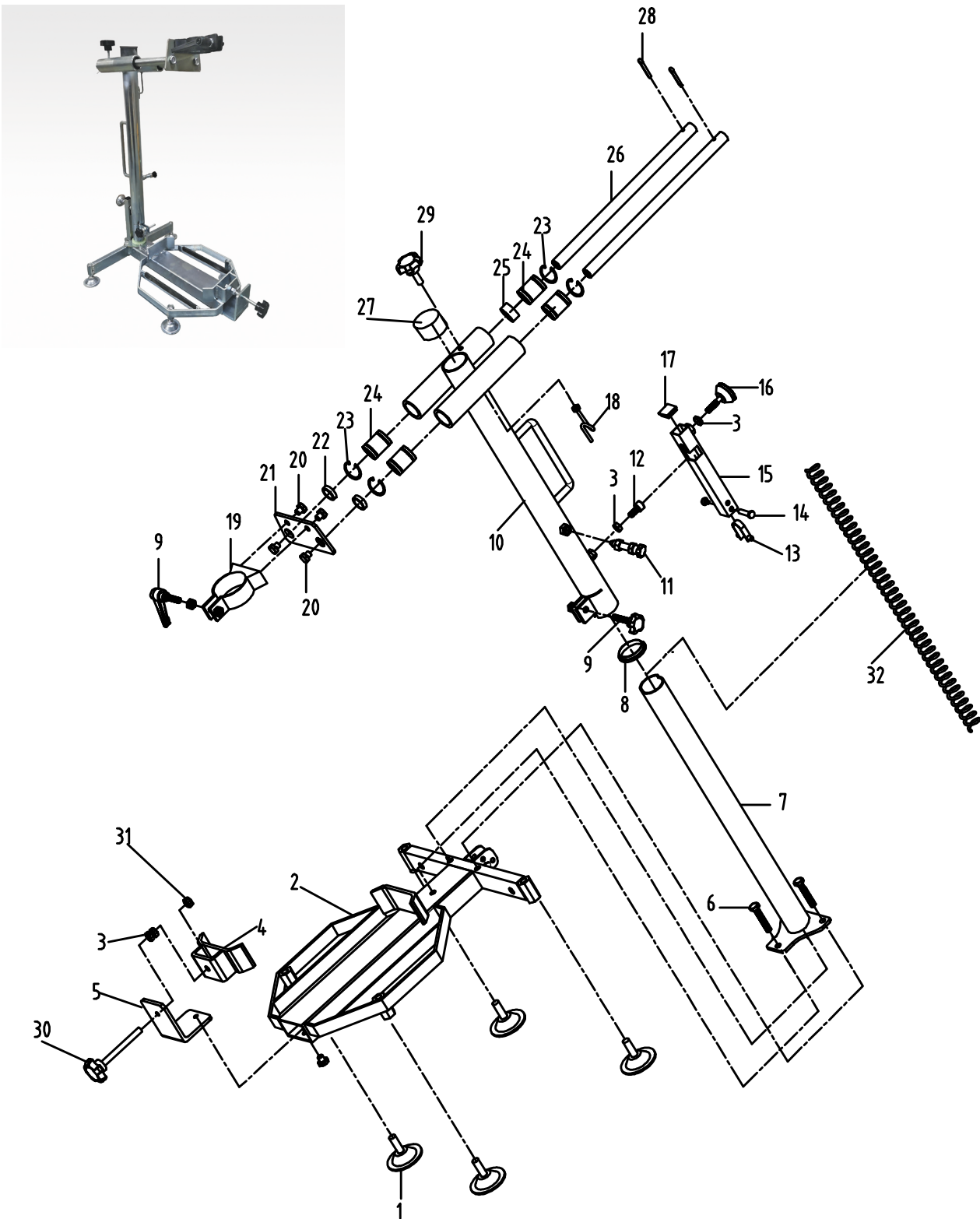
- The stand should be placed on a level dry surface. Uneven surfaces can cause the mixer stand to fall.
- Adjustable legs provide easy leveling.
- For safety, loose clothing should be removed so that it does not get caught in any of the moving parts.
- A proper three prong electrical socket should be used with any mixer to prevent electrical shock.
- Gloves and eye protection must be used when operating this equipment.
- A dust mask should be worn to prevent breathing in dust particles that can be harmful.

Products that make money, save money and add value to your bottom line



BN PRODUCTS-USA, LLC.

3450 Sabin Brown Road • Wickenburg, Arizona 85390
(800) 992-3833 • (928) 684-2813 • www.bnproducts.com



Products that make money, save money and add value to your bottom line



BN PRODUCTS-USA, LLC.

3450 Sabin Brown Road • Wickenburg, Arizona 85390
(800) 992-3833 • (928) 684-2813 • www.bnproducts.com

| BNMS-50 Parts List (3-2020) | | |
|-----------------------------|----------------------------------------------------|-----|
| No. | Description | Qty |
| 1 | Foot screw \varnothing 65*M12*60 | 4 |
| 2 | The base components | 1 |
| 3 | M10 Screw nut | 5 |
| 4 | Clamp plate | 1 |
| 5 | Clamp mounting plate | 1 |
| 6 | Outer hexagon screw M10*55 | 3 |
| 7 | Inner steel pipe components | 1 |
| 8 | Rubber sleeve | 1 |
| 9 | Adjustable lock grip | 1 |
| 10 | Outer steel pipe components | 1 |
| 11 | Height limit bolt | 1 |
| 12 | Hexagon socket screw M10*55 | 1 |
| 13 | V plate Spring \varnothing 8 double ball | 1 |
| 14 | Double lock M6 | 1 |
| 15 | Long striped support foot part | 1 |
| 16 | Foot screw \varnothing 53*M10*60 | 1 |
| 17 | Square tube cap 25*25 | 1 |
| 18 | Cable hanger (with M5 nut) | 1 |
| 19 | Clamp \varnothing 57 | 1 |
| 20 | Outer hexagon screw M10*16 | 5 |
| 21 | Expansion joint plate | 1 |
| 22 | Rubber ring \varnothing 18.6*28*7.5 | 2 |
| 23 | Snap ring φ 32 | 4 |
| 24 | Bear LM20UU | 4 |
| 25 | Nylon sleeve \varnothing 31*20.5 | 1 |
| 26 | The sliding steel pipe \varnothing 20*1.5*370 | 2 |
| 27 | Rubber cap φ 50 | 1 |
| 28 | Split pin φ 5*30 | 2 |
| 29 | Torx screw M8*15 | 1 |
| 30 | Torx screw M10*100 | 1 |
| 31 | Locknut M10 | 1 |
| 32 | Spring φ 38* φ 3.5*1020 | 1 |



Products that make money, save money and add value to your bottom line



BN PRODUCTS-USA, LLC.

3450 Sabin Brown Road • Wickenburg, Arizona 85390
(800) 992-3833 • (928) 684-2813 • www.bnproducts.com



BN PRODUCTS-USA, LLC.

A Division of Benner-Nawman, Inc.

3450 Sabin Brown Road
Wickenburg, AZ 85390
(800) 992-3833
mail@bnproducts.com

Products that make money, save money and add value to your bottom line