



**BN PRODUCTS-USA, LLC.**  
Quality Construction Tools

## **BNHC-20 Parts Guide**

### **#6 (20mm) Electric/Hydraulic Portable Rebar Cutter**



The BNHC-20 is an electric-powered, hydraulic cold-cutting shear that will effectively cut up to #6 (20mm) rebar.

**Included in Parts Guide:**

- Exploded View Drawing
- Parts Table

**BN Products-USA™**

3450 Sabin Brown Road | Wickenburg, AZ 85390

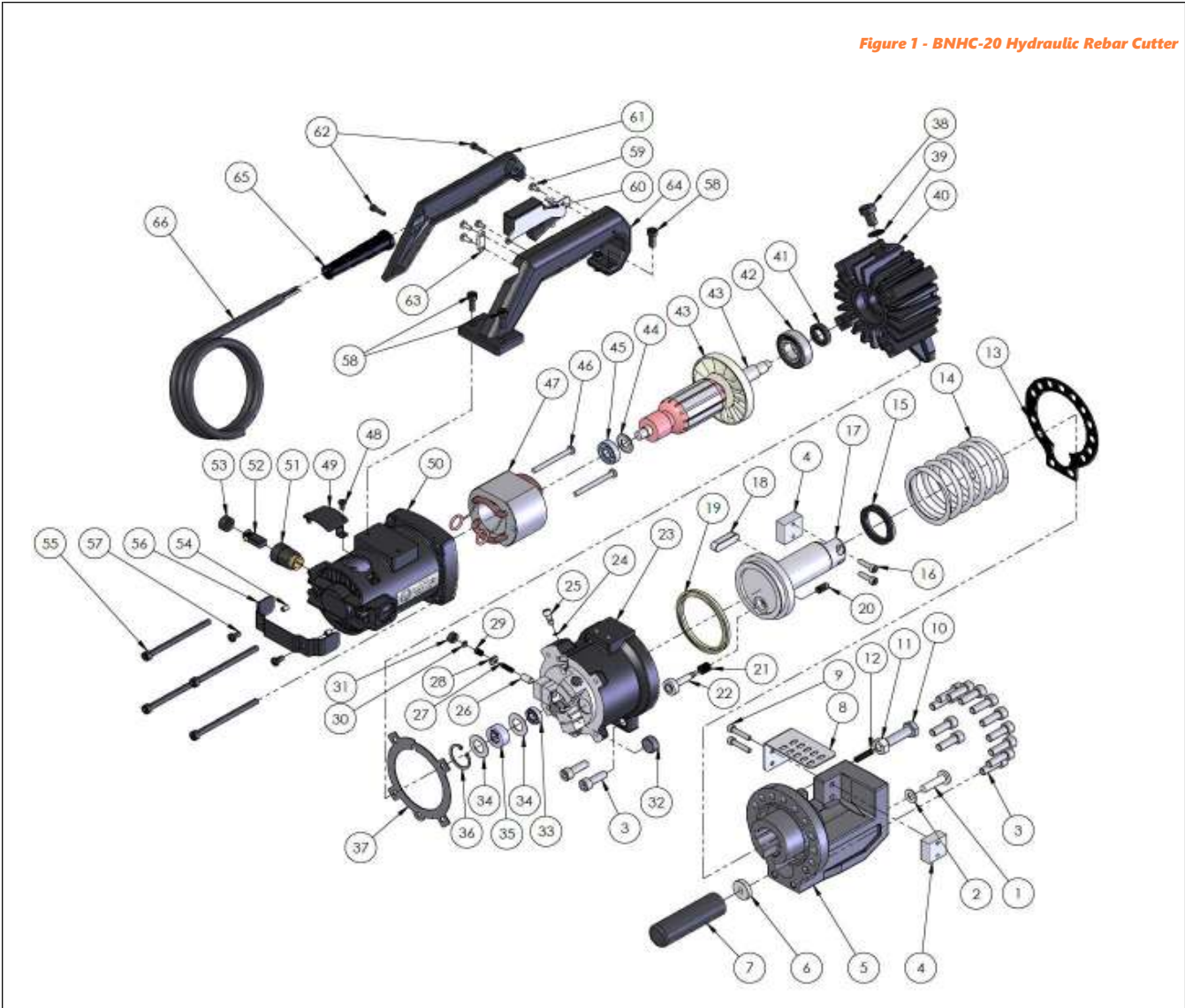
(800) 992-3833 | [WWW.BNPRODUCTS.COM](http://WWW.BNPRODUCTS.COM)

Rev 7/22/2022

BNHC-20-Parts-Guide

Parts Breakdown | BNHC-20 #6 Rebar Cutter

Rebar Cutter Exploded View Drawing



**Parts Breakdown | BNHC-20 #6 Rebar Cutter**

**Rebar Cutter Spare Parts List**

#	PART NUMBER	DESCRIPTION	Qty	#	PART NUMBER	DESCRIPTION	Qty
1	101001	AIR BAG SET BOLT	1	35	101035	NEEDLE BEARING	1
2	101002	COMPOSITE GASKET	1	36	101036	SNAP RING H27	1
3	101003	CAP BOLT M8X25	14	37	101037	PUMP CASE PACKING	1
4	101004	CUTTER BLOCK NO.2	2	38	101038	OIL PLUG M10X15	1
5	101005	FRONT HOUSING	1	39	101039	SEAL WASHER WF10	1
6	101006	AIR BAG NUT	1	40	101040	PUMP CASE	1
7	101007	AIR BAG	1	41	101041	OIL SEAL SC15-25-7	1
8	101008	CUTTER GUARD	1	42	101042	BALL BEARING 6004VV	1
9	101009	CAP BOLT M5X25	2	43	101043	ARMATURE ASSY	1
10	101010	STOPPER BOLT M10X35	1	44	101044	WASHER	1
11	101011	HEX NUT M10 X 1.5	1	45	101045	BALL BEARING 6000VV	1
12	101012	LOCK SPRING STOPPER BOLT	1	46	101046	PAN HEAD BOLT M5X55	2
13	101013	CYLINDER PACKING	1	47	101047	STATOR COIL	1
14	101014	RETURN SPRING	1	48	101048	PAN HEAD BOLT M4X8	2
15	101015	SEAL PACKING 35X45X6	1	49	101049	SIDE COVER	1
16	101016	CAP BOLT M5X18	2	50	101050	MOTOR HOUSING	1
17	101017	PISTON	1	51	101051	BRUSH HOLDER	2
18	101018	PISTON KEY 10X8X35	1	52	101052	CARBON BRUSH SET	2
19	101019	SEAL PACKING 65X75X6	1	53	101053	BRUSH CAP	2
20	101020	VALVE END SPRING	1	54	101054	SET SCREW M5X8	2
21	101021	RETURN VALVE SPRING	1	55	101055	CAP BOLT M6X90	4
22	101022	RETURN VALVE	1	56	101056	TAIL COVER	1
23	101023	CYLINDER	1	57	101057	PAN HEAD BOLT M5X10	1
24	101024	O RING 3.5X1.5	1	58	101058	CAP BOLT M6X16	4
25	101025	RELEASE VALVE	1	59	101059	PAN HEAD BOLT M4X8	2
26	101026	RAM	3	60	101060	SWITCH	1
27	101027	RAM RETURN SPRING	3	61	101061	SWITCH COVER	1
28	101028	DELIVERY VALVE	3	62	101062	PAN HEAD BOLT M4X15	4
29	101029	DELIVERY VALVE SPRING	3	63	101063	CORD LOCK CLIP	1
30	101030	SPRING GUIDE	3	64	101064	MAIN HANDLE	1
31	101031	PUMP HEAD SEAL	3	65	101065	CORD ARMOR	1
32	101032	MAGNET FILTER	2	66	101066	CORD SET	1
33	101033	BALL BEARING 698	1				
34	101034	BEARING GUIDE	1				