



BN Products-USA™

A DIVISION OF BENNER-NAWMAN, INC.

DC-16LZ

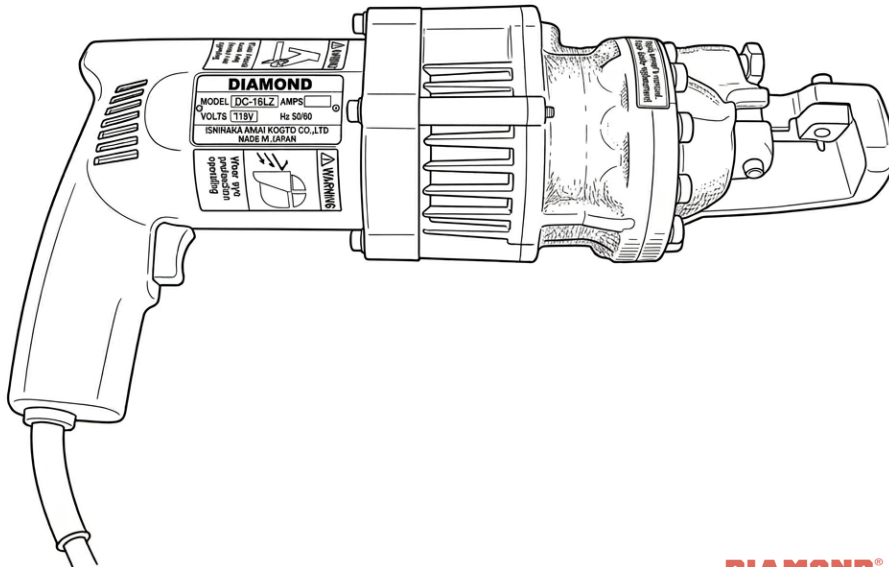
#5 Electric/Hydraulic Rebar Cutter

BN Products Customer Service: (800) 992-3833

DC-16LZ

Electric/Hydraulic Rebar Cutter Parts

Designed for #5 (16mm) Grade 60 Rebar

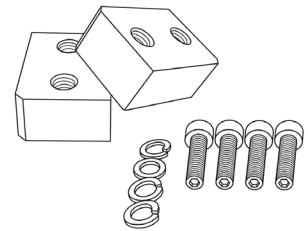


DIAMOND®
DC-16LZ

The DC-16LZ is a medium-duty rebar cutter that will safely, efficiently, and cleanly cut rebar up to #5 (5/8") diameter grade 60.

This self-contained electric/hydraulic unit will also cut other items like chain, bolts and rod but is specifically designed for rebar.

Replacement Cutting Block Set



RB-16LZ

Specifications:

Dimensions - Weight - Power

Maximum Cutting Diameter	5/8" #5 Rebar (16mm) - Grade 60
Cutting Speed / Pressure	2 Seconds / 13 Tons Tool
Weight	15 lbs. (6.8 kg)
Dimensions L x W x H	14.8" (380 mm) x 6.8" (175 mm) x 4.1" (105 mm)
Motor	Double-insulated Electrical (115V 50/60 Hz (9A))

BN Products-USA™

3450 N. Sabin Brown Road | Wickenburg, AZ 85390

(800) 992-3833 | BNProducts.com

**PRODUCT
PARTS GUIDE**



BN Products-USA™

A DIVISION OF BENNER-NAWMAN, INC.

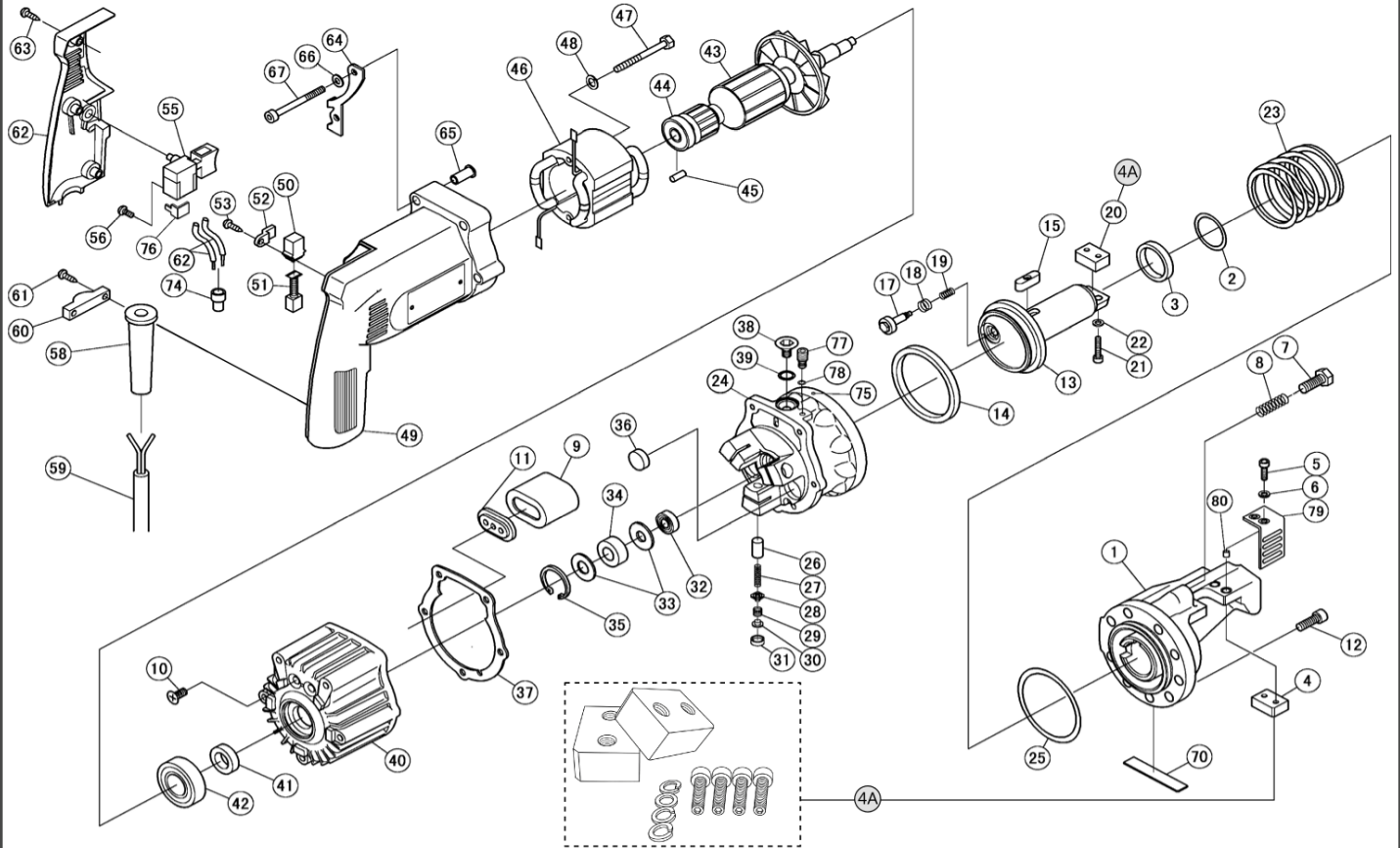
DC-16LZ

#5 Electric/Hydraulic Rebar Cutter

BN Products Customer Service: (800) 992-3833

Parts Diagram

DC-16LZ
HYDRAULIC
REBAR CUTTER



Maintenance Parts Available

Maintenance parts and and replaceable components are available though BN Products-USA™ Distributors.

If assistance is required, please contact BN Products-USA™ Customer Service at (800) 992-3833.

PRODUCT NUMBER	DESCRIPTION
RB-16LZ	Cutting Blocks - Set of two for DC-16LZ Rebar Cutter
BN7356	Hydraulic Oil (1 Quart)
TU16LZK	Tune-Up Kit for DC-16LZ Hydraulic Cutter



BN Products-USA™

A DIVISION OF BENNER-NAWMAN, INC.

DC-16LZ

#5 Electric/Hydraulic Rebar Cutter

BN Products Customer Service: (800) 992-3833

DC-16LZ Parts List

No.	Part No.	Part Name	Qty
1	1C2025700	HOUSING	1
2	7ORP30TF	O RING P30	1
3	1C16021	SEAL PACKING SKY30	1
4	1C4079101	CUTTER BLOCK NO.16Z (See 4A)	1
4A	*Replacement Cutter Blocks are sold as a set of two, with cap bolts and washers (See Diagram) - Order Part # RB-16LZ -		
5	7CB05025	CAP BOLT M5XM22 (See 4A)	2
6	7SW005	SPRING WASHER M5 (See 4A)	2
7	7B10025T11	STOPPER BOLT M10X25	1
8	1C4079400	LOCK SPRING	1
9	1C4078900	AIR BAG	1
10	7ST06012B1	TAPPING SCREW (+) 6×12	2
11	1C4079000	AIRBAG NUT	1
12	7CB08022	CAP BOLT M8X22	9
13	1C3039700	PISTON	1
14	7FU0825L0	SEAL PACKING OSI66-56-6	1
15	7K0708024R2H	PISTON KEY 7X8X24	1
17	1CL0123	RETURN VALVE	1
18	1C4269500	RETURN VALVE SPRING	1
19	1C1922	VALVE END SPRING	1
20	1C4079101	CUTTER BLOCK NO.16Z (See 4A)	1
21	7CB05015	CAP BOLT M5X15 (See 4A)	2
22	7SW005	SPRING WASHER M5 (See 4A)	2
23	1C4238600	RETURN SPRING	1
24	1C2025603	CYLINDER	1
25	7ORG60	O RING	1
26	1C1971	RAM	3
27	1C1972	RAM RETURN SPRING	3
28	1C197301	DELIVERY VALVE	3
29	1C1331	DELIVERY VALVE SPRING	3
30	1C13352	SPRING GUIDE	3
31	1C13292	PUMP HEAD SEAL	3
32	7608MC3	BEARING 608	1
33	1C1325	BEARING GUIDE	2
34	712NO2410A	NEEDLE BEARING	1
35	7SRH027	SNAP RING H27	1
36	3P1044	MAGNET FILTER	2
37	1C4079300	PUMP CASE PACKING	1
38	7SB08012	OIL PLUG M8×12	1

No.	Part No.	Part Name	Qty
39	7ORP10	O RING P-10	1
40	1C2025800	PUMP CASE	1
41	7SC15257	OIL SEAL	1
42	76002VV	BALL BEARING 6002VV	1
43	7HRK360298CB	ARMATURE WITH CAM	1
44	7608VV	BALL BEARING	1
45	7HTK946362B	BEARING LOCK	1
46	7HTK340271CB	STATOR COIL	1
47	7HT04070	TAPPING SCREW D4X70	2
48	7SW004	SPRING WASHER M4	2
49	7HTK305502B	MOTOR HOUSING	1
50	7HTK955203B	BRUSH HOLDER	2
51	7HTK999041B	CARBON BRUSH SET	2
52	7HTK306357B	HOLDER PIECE	2
53	7NT04016	TAPPING SCREW D4X16	2
55	7HTK957747B	SWITCH	2
56	7WB035006	SCREW M3.5X6	1
58	7HTK980193B	CORD ARMOR	2
59	BNCEP-61	CORD SET	1
60	7HTK960266B	CORD CLIP	1
61	7FNS04016	TAPPING SCREW D4X16	1
62	7HTK305503B	HANDLE COVER	1
63	7NT04020	TAPPING SCREW D4X20	2
64	7HTK002820B	FOOT	1
65	7HTK305472B	SLEEVE	3
66	7PW005	PLATE WASHER M5	1
67	7CB05075	CAP BOLT M5X75	5
73	7HTK930153B	SUPPORT B	1
74	7HTK959140B	CONNECTOR	2
75	7SBTA5/32	STEEL BALL 5/32	1
76	3V4195500	SWITCH PLATE	1
77	1C4160601	RELEASE VALVE	1
78	7ORS4	O RING	1
79	1C4199600	CUTTER GUARD	1
80	1C4203500	GUARD COLLAR	2

*Item Numbers 54, 57, and 68-73 are intentionally omitted from the parts diagram and the parts listing.



BN Products-USA™

A DIVISION OF BENNER-NAWMAN, INC.

DC-16LZ

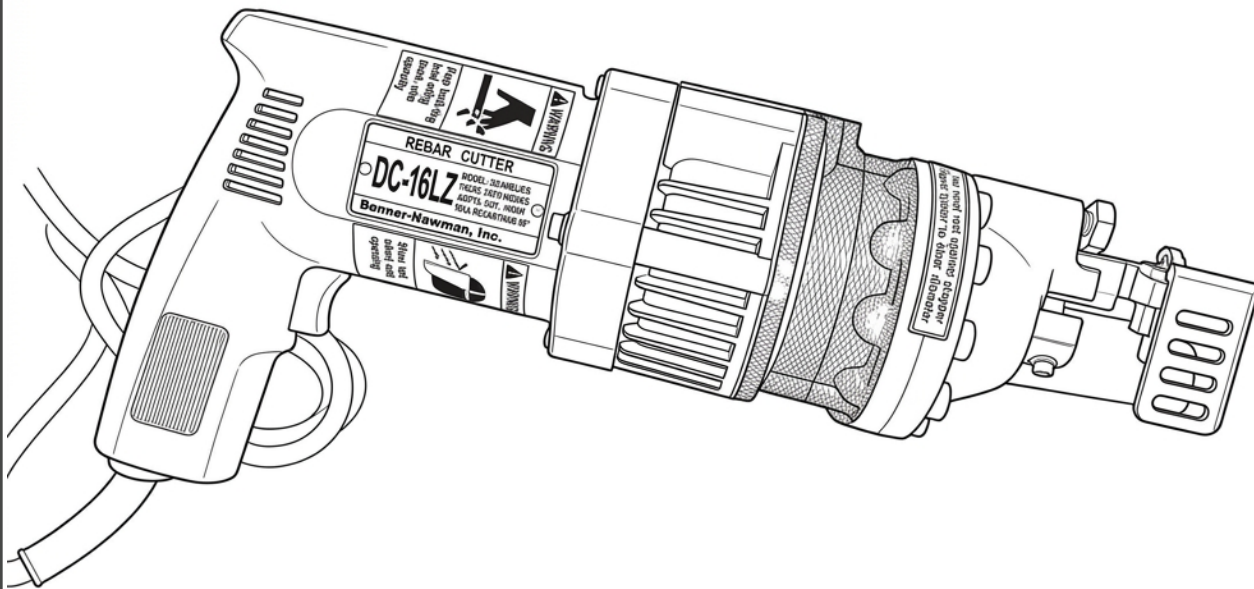
#5 Electric/Hydraulic Rebar Cutter

BN Products Customer Service: (800) 992-3833

Medium-Duty #5 (16mm) Hydraulic Rebar Cutter

The **DC-16LZ** is a medium-duty cold-cutting shear, unlike saws with abrasive blades and cutting torches, there are no sparks or flame.

A relief valve for retracting the piston and a cutting guard are standard safety features of this power tool. Each DC-16LZ kit includes a carrying case, with hydraulic oil, and service tool kit.



BN Products-USA™

3450 N. Sabin Brown Road | Wickenburg, AZ 85390

(800) 992-3833 | www.BNProducts.com

THE MOST TRUSTED NAME IN REBAR TOOLS