



**BN Products-USA™**

A DIVISION OF BENNER-NAWMAN, INC.

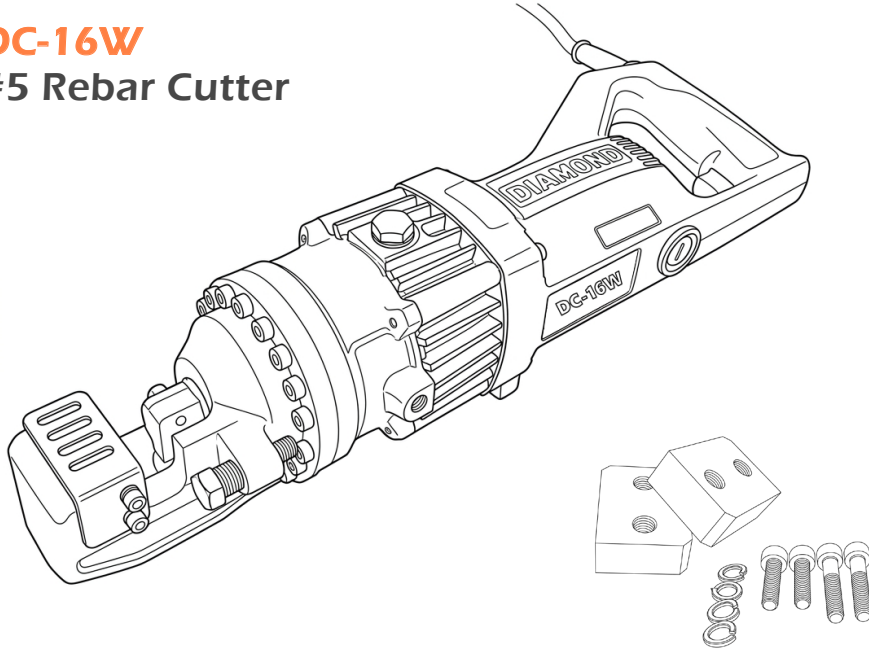
**DC-16W**

Heavy-Duty #5 (16mm) Rebar Cutter

BN Customer Service: (800) 992-3833

## #5 Heavy-Duty Hydraulic Rebar Cutter - Parts Guide

**DC-16W**  
#5 Rebar Cutter



**RB-16X**  
Replacement Cutting Blocks

**POWER**

115V | 10A

**MAXIMUM CAPACITY**

#5 | 5/8" | 16mm  
Grade 60 Rebar

**CUTTING PRESSURE**

15 Tons

**CUTTING SPEED**

2.5 Seconds

**REPLACEMENT CUTTING BLOCKS**

**RB-16X**

The DC-16W portable, heavy-duty rebar cutter will safely, efficiently, and cleanly cut rebar up to #5 (5/8") diameter grade 60. This self-contained electric/hydraulic unit will also cut other items like chain, bolts and rod, but is specifically designed for rebar. The DC-16W cutter is designed for vertical and horizontal cutting applications.

A safety relief valve for retracting the piston and a cutting guard are standard features, along with a removable side handle.

The DC-16W includes a carrying case, hydraulic oil, and a service tool kit.

**BN Products-USA™**

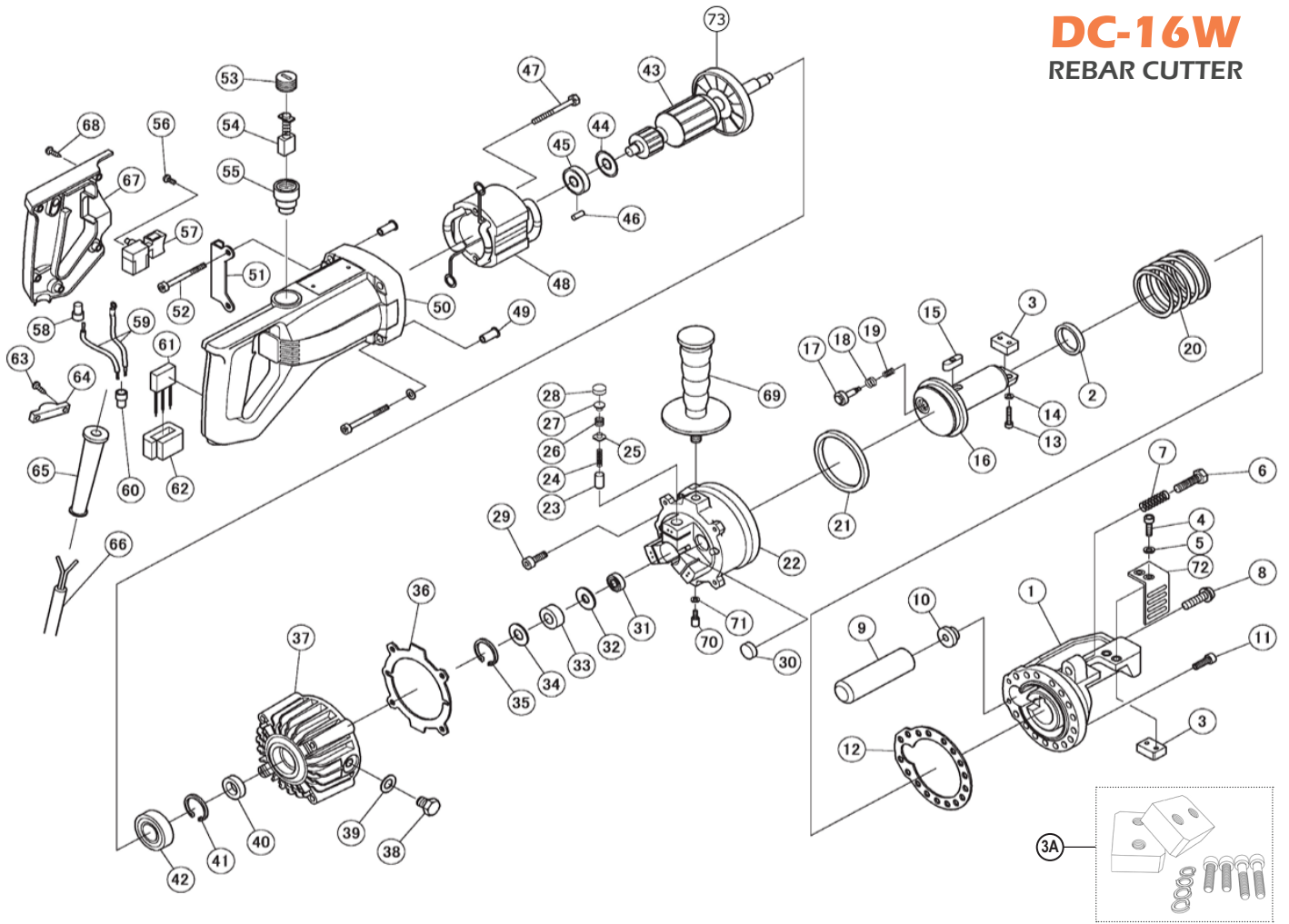
3450 N Sabin Brown Road

Wickenburg, AZ 85390

[www.BNProducts.com](http://www.BNProducts.com)

**PRODUCT  
PARTS GUIDE**

## Parts View



## DC-16W - Maintenance Parts Available

Product Number	Notes
RB-16X	Cutting Blocks - Set of two for DC-16W
TU16K	Tune-Up Kit - DC-16W Rebar Cutter
BN7356	Hydraulic Oil (1 Quart) for Hydraulic Rebar Cutters
RBK-16W	Rebuild Parts Kit - DC-16W Rebar Cutter

**DC-16W Rebar Cutter - Parts Listing**

#	Part Number	Description	Qty	#	Part Number	Description	Qty
1	1C16012	HOUSING	1	37	7HTK305471B	PUMP CASE	1
2	1C16021	SEAL PACKING SKY30	1	38	7B10015	OIL PLUG M10X15	1
3	1C1610	CUTTER BLOCK NO. 0	2	39	7WF10	SEAL WASHER	1
3A	<b>*CUTTER BLOCK SET ORDER RB-16X</b>		40	7SC15257	OIL SEAL	1	
4	7CB205022	CAP BOLT M5X22	2	41	7SRH026	SNAP RING H26	1
5	7SW005	SPRING WASHER M5	2	42	76002VV	BALL BEARING 6002VV	1
6	7B10040T11	STOPPER BOLT M10X40	1	43	7HTK360274CB	ARMATURE WITH CAM	1
7	1C1603	LOCK SPRING	1	44	7HTK956387B	DUST SEAL (A)	1
8	1C1357	AIR BAG SET BOLT	1	45	7608VV	BALL BEARING 608VV	1
9	1C1616	AIR BAG	1	46	7HTK946362B	BEARING LOCK	1
10	1C1620	AIR BAG NUT	1	47	7NT05060	TAPPING SCREW D5X60	2
11	7CB06020	CAP BOLT M6x20	15	48	7HTK981610CB	STATOR COIL	1
12	1C16143	CYLINDER PACKING	1	49	7HTK305472B	SLEEVE	4
13	7CB05015	CAP BOLT M5x15	2	50	7HTK305474B	MOTOR HOUSING	1
14	7SW005	WASHER M5	2	51	7HTK305476B	FOOT	1
15	7K0707024R2H	PISTON KEY	1	52	7CB05080	CAP BOLT M5X80	4
16	1C3092000	PISTON	1	53	7HTK961781B	BRUSH CAP	2
17	1C1319	RETURN VALVE	1	54	7HTK999043B	CARBON BRUSH SET	1
18	1CL0143	RETURN VALVE SPRING	1	55	7HTK981586B	BRUSH HOLDER	2
19	1C1323	VALVE END SPRING	1	56	7WB035006	SWITCH BOLT M3.5X6	4
20	1C16052	RETURN SPRING	1	57	7HTK957747B	SWITCH	1
21	1C1604	SEAL PACKING	1	58	7HTK959141B	CONNECTOR 50092	1
22	1CW00011	CYLINDER	1	59	7HTK971825B	LEAD WIRE	1
23	1C1327	RAM	3	60	7HTK959140B	CONNECTOR 50091	1
24	1C1330	RAM RETURN SPRING	3	61	7HTK308283B	CONDENSER	1
25	1C13281	DELIVERY VALVE	3	62	7HTK930153B	SUPPORT (B)	1
26	1C1331	DELIVERY VALVE SPRING	3	63	7FNS04016	TAPPING SCREW D4X16	2
27	1C13352	SPRING GUIDE	3	64	7HTK960266B	CORD CLIP	1
28	1C13292	PUMP HEAD SEAL	3	65	7HTK938051B	CORD ARMOR	1
29	7CB06020	CAP BOLT M6X20	2	66	4V0001V	CORD SET	1
30	3P1044	MAGNET FILTER	2	67	7HTK002065B	SWITCH COVER	1
31	7698	BALL BEARING 698	1	68	7NT04020	TAPPING SCREW D4X20	5
32	1C1325	BEARING GUIDE	1	69	1C1627	SIDE HANDLE	1
33	712NQ2410A	NEEDLE BEARING	1	70	1C4160601	RELEASE VALVE	1
34	1C1325	BEARING GUIDE	1	71	7ORS4	O RING	1
35	7SRH027	SNAP RING H27	1	72	1C4199700	CUTTER GUARD	1
36	1C1615A	PUMP CASE PACKING	1	73	7HTK980740B	ARMATURE FAN	1

## DC-16W - Specifications

---

<b>Cut / Bend Speed</b>	3 seconds /180 degree bend in 7 seconds
<b>Bending Roller</b>	2.42" (62 mm) Diameter (R 31)
<b>Clearance (In-place) Cutting</b>	1-3/4" (44.5 mm) from Surface
<b>Clearance (In-place) Bending</b>	4.5" (115 mm) from Surface
<b>Rebar Capacity</b>	Up to #5 (16mm) Grade 60
<b>Power Supply</b>	Electric motor 115v, 50/60 Hz -10 amps
<b>Total Weight (kg)</b>	40 lbs. (18.2), 62lbs. (28.2) Shipping Weight
<b>Tool Dimensions</b>	25-1/8" L x 6-3/8" W x 8-5/8" H including lifting handles (cutter up)

---



**BN Products-USA™**

3450 N. Sabin Brown Road | Wickenburg, AZ 85390

(800) 992-3833 | [www.BNProducts.com](http://www.BNProducts.com)

THE MOST TRUSTED NAME IN REBAR TOOLS