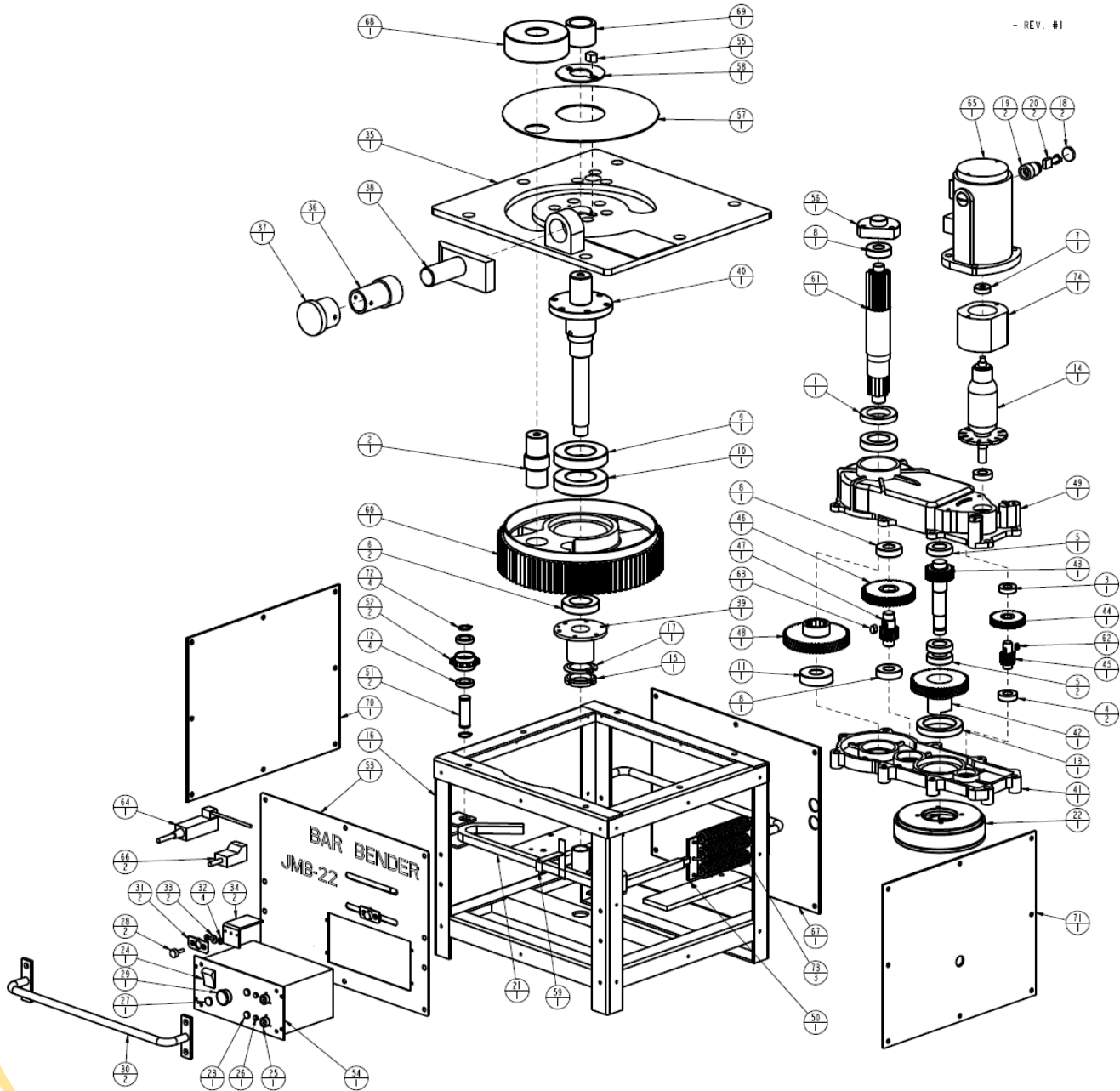


**JMB-22 #7 Table Top Rebar Bending Machine**



**BN Products-USA, LLC.**

3450 Sabin Brown Road • Wickenburg, AZ 85390

(800) 992-3833 • mail@bnproducts.com



**BN PRODUCTS-USA, LLC.**

A Division of Benner-Nawman, Inc.

# PARTS LISTING

## JMB-22 Rebar Bender

2020-10-15 REV. #1

REF NO	DESCRIPTION	Q'TY
1	Oil seal	1
2	Moving roller shaft	1
3	6002ZZ bearing	1
4	6003ZZ bearing	2
5	6005ZZ bearing	3
6	6008ZZ bearing	2
7	6200DD bearing	1
8	6204ZZ bearing	3
9	6211DD bearing	1
10	6211ZZ bearing	1
11	6305ZZ bearing	1
12	6804ZZ bearing	4
13	6912ZZ bearing	1
14	Amature	1
15	AN08 lock nut	1
16	Frame body	1
17	AN08 washer	1
18	Carbon cap	2
19	Carbon Holder	2
20	Barbon brush	2
21	Chain	1
22	Clutch Assembly	1
23	Start button	1
24	On/Off Switch	1
25	Foot S/W connector	1
26	LED light	1
27	Fuse	1
28	Degree knob	2
29	Emergency Switch	1
30	Handle	2
31	Degree indicator	2
32	Degree indicator washer	4
33	Degree indicator washer	2
34	Degree indicator bracket	2
35	Top plate	1
36	Adjustable nut	1
37	Modulator handle	1
38	Bar stopper	1
39	Bearing hausing	1
40	Center shaft	1
41	Gear box bottom housing	1

**BN Products-USA, LLC.**

3450 Sabin Brown Road • Wickenburg, AZ 85390

(800) 992-3833 • mail@bnproducts.com