



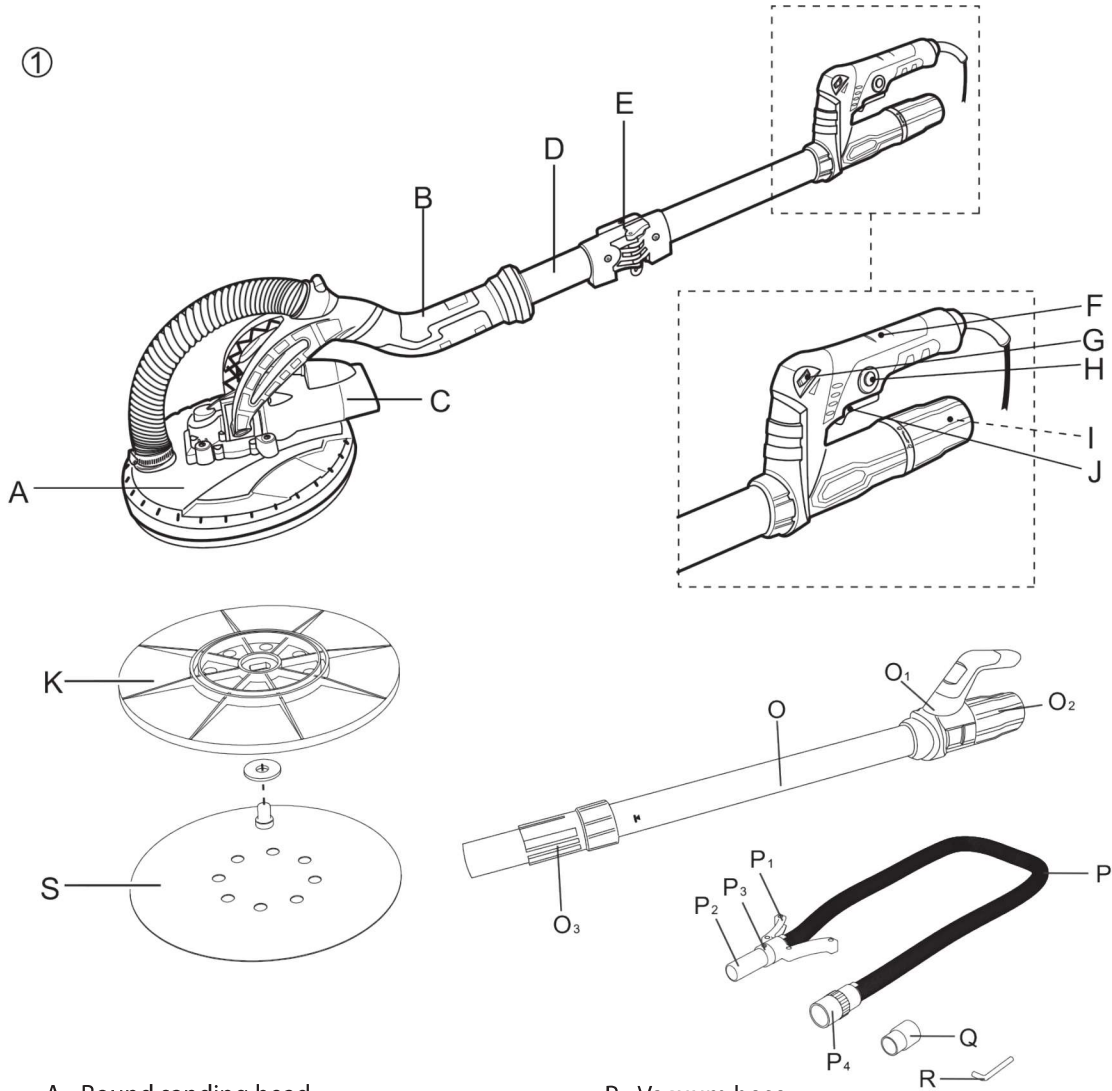
BN PRODUCTS-USA, LLC.

A Division of Benner-Nawman, Inc.

3450 Sabin Brown Road • Wickenburg, AZ 85390
(800) 992-3833 • mail@bnproducts.com

BN1837 Drywall Sander

Parts List



- A - Round sanding head
- B - Main handle
- C - Motor housing
- D - Aluminium pipe
- E - Folding lock
- F - Forward handle
- G - Electronic speed control wheel
- H - Lock On button
- I - Dust extraction outlet
(with locking sleeve)
- J - Switch
- K - Round sanding pad
(hook & loop system)
- O - Extension shaft
 - 1 - Rear handle
 - 2 - Dust extraction outlet
(with adjusting sleeve)
 - 3 - Sleeve

- P - Vacuum hose
 - 1 - Stand
 - 2 - Connector
(pre-assembled) (38mm)
 - 3 - Suction power adjustment ring
 - 4 - Vacuum adaptor
(pre-assembled) (47mm)
- Q - Vacuum adaptor
(pre-assembled) (35mm)
- R - Hex wrench S5
- S - Round sanding disc

