

Drywall Sander

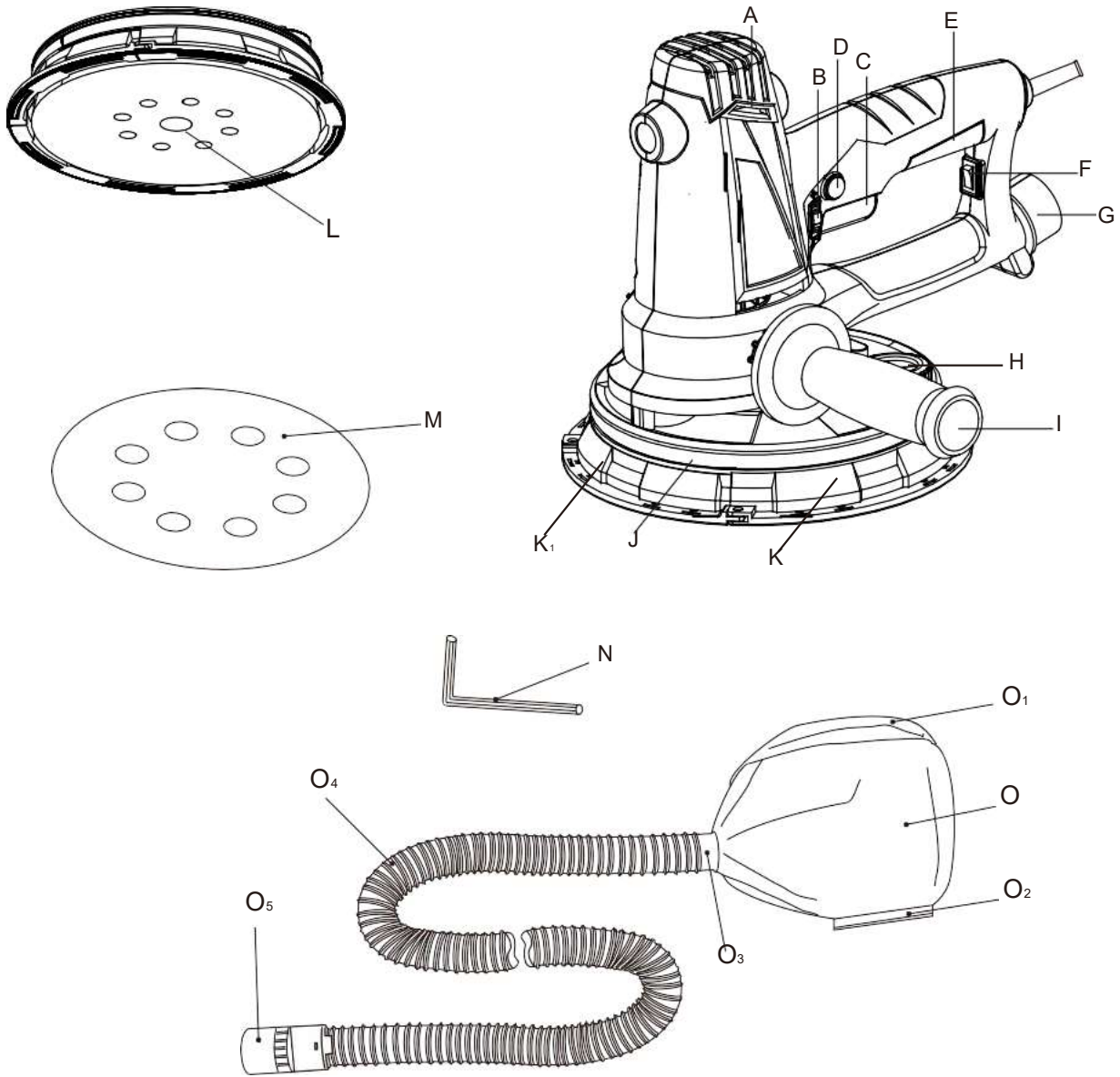
Parts Guide

Model: BNR1841



3450 Sabin Brown Road • Wickenburg, AZ 85390
(800) 992-3833 • mail@bnproducts.com

①



- A. Air vents
- B. Electronic speed control wheel
- C. On/off switch
- D. Lock button
- E. Main handle
- F. Led switch
- G. Dust extraction outlet
- H. Vacuum speed dial
- I. Auxiliary handle
- J. LED Light

- K. Guard
 - 1. Guard segment
- L. Sanding pad
- M. Sanding paper (150# x2, 180# x 2, 240# x2, 400# x2)
- N. Hex key
- O. Dust bag
 - 1. Belt
 - 2. Clasp
 - 3. Adaptor assembly
 - 4. Vacuum hose
 - 5. Connector