



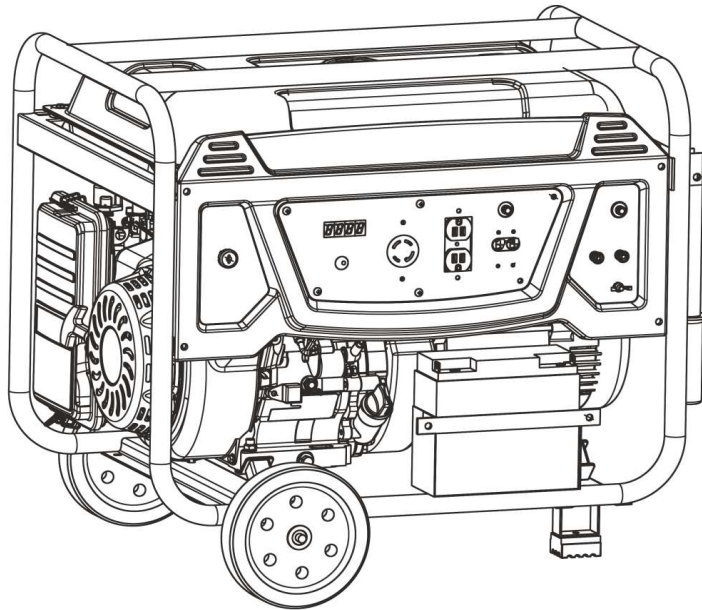
BN PRODUCTS-USA, LLC.
Quality Construction Tools

BNG3000

Gasoline Generator

Generator - Engine Parts Guide

BNG3000



3000

RUNNING WATTS

3500

MAX WATTS



Parts Breakdown

Schematic

Specifications

The BNG3000 is a 3500 Watt (Max) / 3000 Watt (Rated), gasoline-powered generator designed for job site use and recreational applications.

The durable frame design, with handle and wheel kit makes this unit a powerful and convenient portable power plant, ideal as a contractor power source.

Company Contact Information:



BN Products-USA™

3450 Sabin Brown Road
Wickenburg, AZ 85390

(800) 992-3833

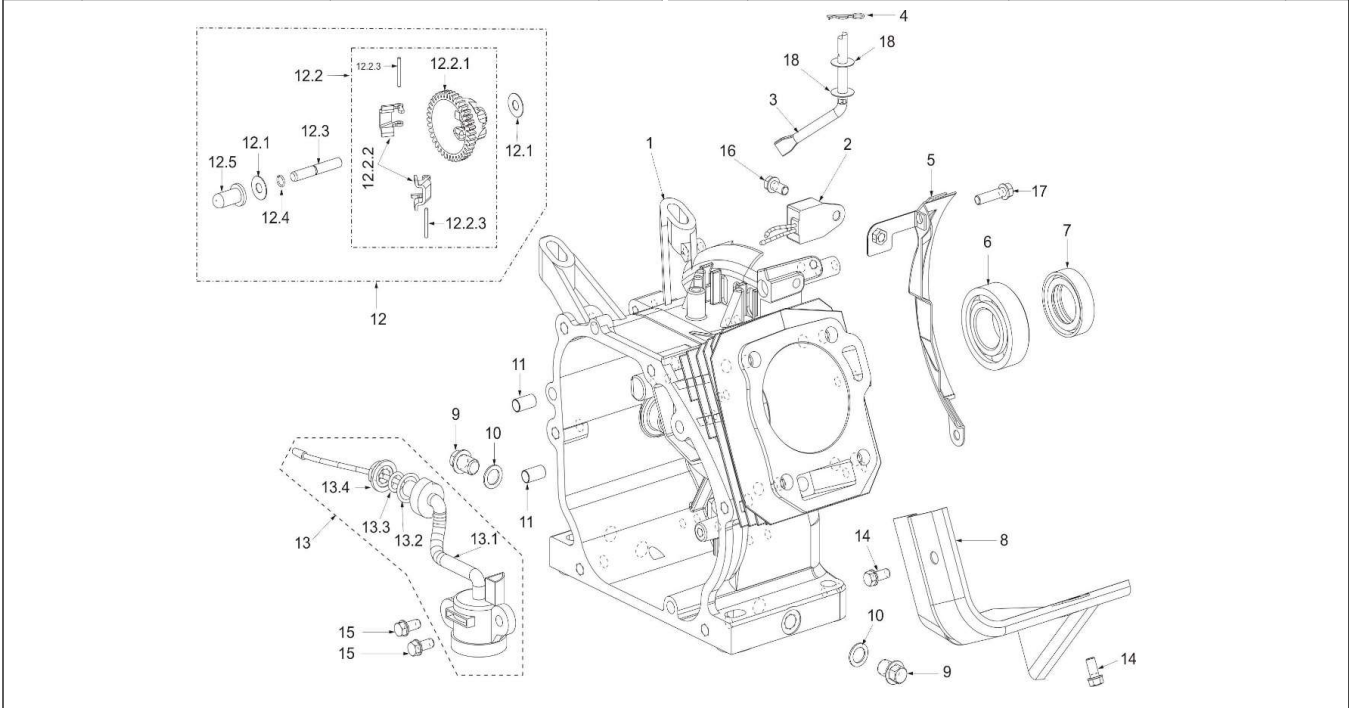
www.BNProducts.com

Table of Contents			Page
Engine: Crankcase	<i>Figure 1</i>	-	3
Engine: Crankcase Cover	<i>Figure 2</i>	-	3
Engine: Crankshaft Parts	<i>Figure 3</i>	-	4
Engine: Recoil Starter Parts	<i>Figure 4</i>	-	4
Engine: Cylinder Head	<i>Figure 5</i>	-	5
Engine: Camshaft, Rocker, Valve Assemblies	<i>Figure 6</i>	-	5
Engine: Piston/Connecting Rod Assemblies	<i>Figure 7</i>	-	6
Engine: Throttle (Speed adjustment) Assembly	<i>Figure 8</i>	-	6
Engine: Carburetor	<i>Figure 9</i>	-	7
Engine: Air Cleaner	<i>Figure 10</i>	-	7
Engine: Muffler	<i>Figure 11</i>	-	7
Stator & Rotor	<i>Figure 12</i>	-	8
Generator Control Panel	<i>Figure 13</i>	-	9
Electric Starter	<i>Figure 14</i>	-	9
Generator Frame	<i>Figure 15</i>	-	10
Wheel Kit	<i>Figure 16</i>	-	10
Fuel Tank	<i>Figure 17</i>	-	11
Generator Specifications			12

Engine: Crankcase

Figure 1 - Crankcase

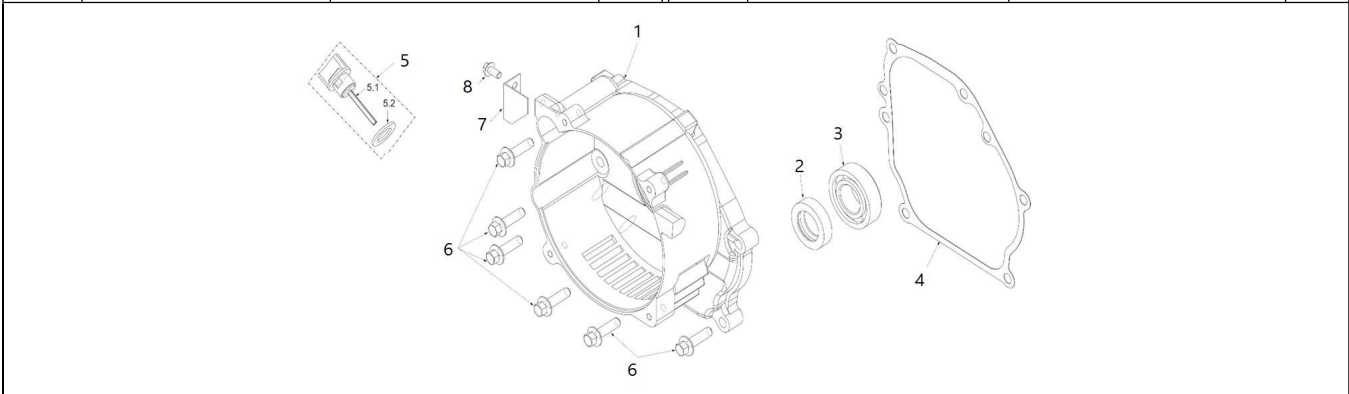
Ref #	Part Number	Description	Qty	Ref #	Part Number	Description	Qty
1	1000.170.E21V.00.00	Crankcase body	1	12.2.2		Centrifugal block	2
2	1200.168.M030.00.00	Unidirectional connector	1	12.2.3		Pin,Centrifugal block	2
3	1100.168.001V.00.00	Sway bar	1	12.3	(Speed adjustment gear assembly)	Center axis	1
4	1120.168.R001V.00.00	Split clip	1	12.4		Clip, Center axis	1
5	2232.D68.001V.00.00	Side plate	1	12.5		Slip cap	1
6	0270.168.001V.00.00	Ball bearing(6205)	1	13	1020.168.010V.00.00	Oil protection assembly	1
7	3150.168.002V.00.00	Oil seal(Φ25*41.25*6)	1	13.1		Oil sensor	1
8	2230.168.001V.00.00	Wind guide	1	13.2		O-ring	1
9	1250.168.R001V.00.20	Drain bolt(M10*1.25*15)	2	13.3		O-ring	1
10	1260.168.R001V.66.00	Washer,Drain bolt(Φ10)	2	13.4		Nut	1
11	3170.168.R001V.00.00	Set pin(Φ8*14)	2	14	5787.06010.00.01	Bolt(M6*10)	2
12	1070.168.001V.00.00	Speed adjustment gear assembly	1	15	5787.06014.00.01	Bolt(M6*14)	2
12.1	(Speed adjustment gear assembly)	Gasket	2	16	5787.06012.00.01	Bolt(M6*12)	1
12.2		Centrifugal gear assembly	1	17	5787.06020.00.01	Bolt(M6*20)	1
12.2.1		Centrifugal gear	1	18	110.168.R001V.67.00	Washer,slip cap(Φ6*Φ13*0.5)	2
12.2.1							



Engine: Crankcase Cover Parts

Figure 2 - Crankcase Cover Parts

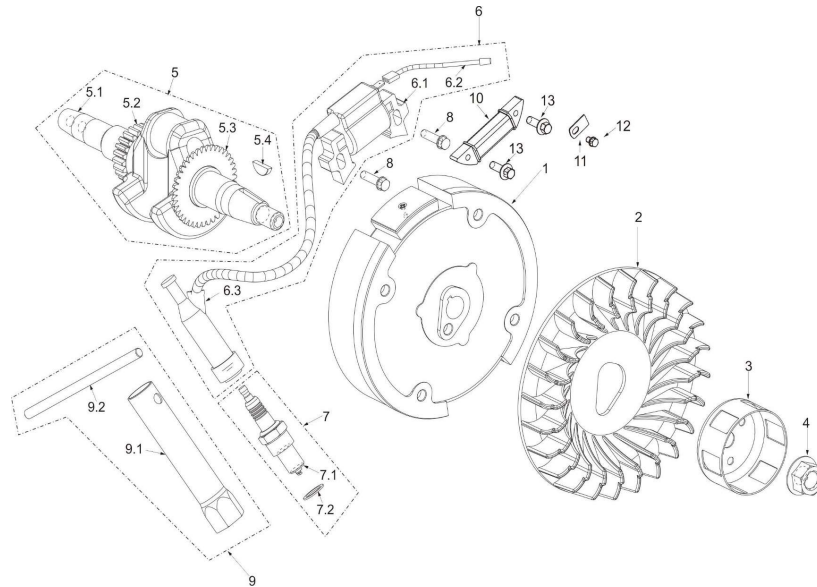
Ref #	Part Number	Description	Qty	Ref #	Part Number	Description	Qty
1	1010.168.002V.00.00	Crankcase cover	1	5.1	(Oil Gauge assembly)	Oil gauge	1
2	3150.168.002V.00.00	Oil seal(Φ25*Φ41.25*6)	1	5.2		Seal,Oil gauge	1
3	0270.168.001V.00.00	Ball bearing(6205)	1	6	5787.08030.00.01	Bolt(M8*30)	6
4	3040.168.004V.00.00	Gasket,Crankcase	1	7	4070.460.001V.00.00	Windshield	1
5	1230.168.001V.16.00	Oil Gauge assembly	1	8	5787.06012.00.01	Bolt(M6*12)	1



Engine: Crankshaft

Figure 3 - Crankshaft Parts

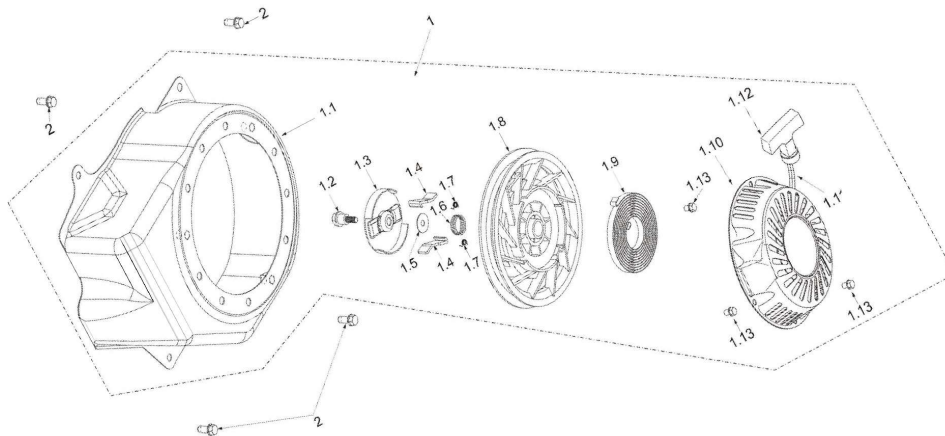
Ref #	Part Number	Description	Qty	Ref #	Part Number	Description	Qty
1	2040.D68.001V.00.00	Flywheel ass.	1	6.3	(Ignition Coil assembly)	Spark plug cap	7
2	2030.168.003V.63.00	Flywheel fan	1	7	2160.168.001V.00.00	Spark Plug assembly	1
3	2020.168.0080.00.00	Starter sleeve	1	7.1	(Spark Plug assembly)	Spark plug (F6TC)	1
4	6177.14000.06.01	Nut(M14*1.5)	1	7.2		Gasket,Spark plug (Φ14*Φ18*01)	1
5	0180.170.011V.71.00	Crankshaft assembly	1	8	5787.06025.00.01	Bolt (M6*25)	2
5.1	(Crankshaft assembly)	Crankshaft	7	9	2180.168.A12V.00.00	Spark plug sleeve assembly	1
5.2		Timing gear	7	9.1	(Spark Plug sleeve assembly)	Spark plug sleeve	7
5.3		Governor gear	7	9.2		Handle	7
5.4		Woodruff key	7	10	2050.D88.001V.00.00	Charge coil	1
6	2100.168.M01V.00.00	Ignition Coil assembly	1	11	2090.D88.001V.00.00	Fixer, Charge coil	1
6.1	(Ignition Coil assembly)	Ignition coil	7	12	5787.06008.00.01	Bolt (M6*8)	1
6.2		Stop lead	7	13	5787.06030.00.01	Bolt (M6*30)	2



Engine: Recoil (Pull) Starter

Figure 4 - Recoil Starter Parts

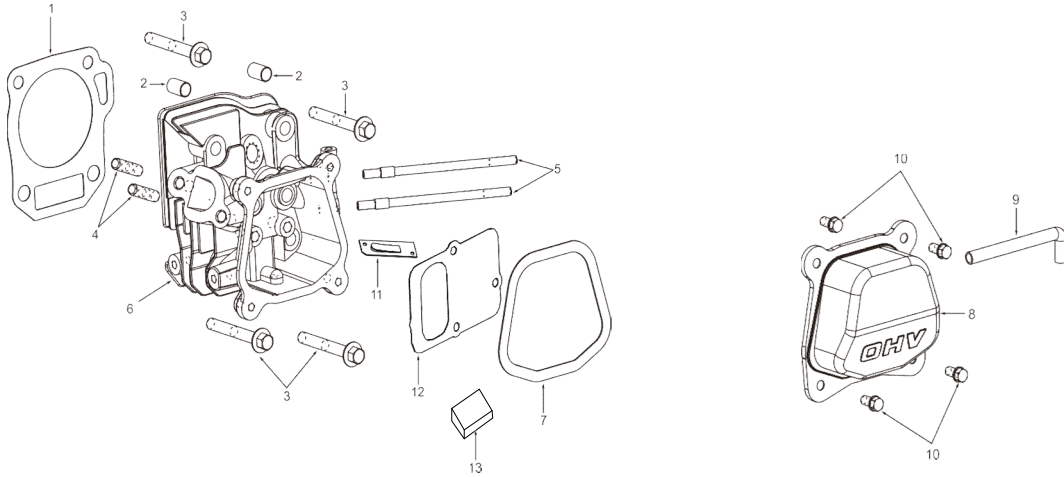
Ref #	Part Number	Description	Qty	Ref #	Part Number	Description	Qty
1	2000.D68.002V.P5.00	Engine starter assembly	1	1.8	(Engine Starter Assembly)	Roller	7
1.1	(Engine Starter Assembly)	Fan cover	7	1.9		Starter spring	7
1.2		Pivot bolt	7	1.10		Starter cover	7
1.3		Ratchet guide	7	1.11		Rope	7
1.4		Ratchet	2	1.12		Pulling handle	7
1.5		Gasket	7	1.13		Bolt (M6*8)	3
1.6		Friction spring	7	2		5787.06012.00.01	Bolt (M6*12)
1.7		Ratchet spring	2				



Engine: Cylinder Head

Figure 5 - Cylinder Head

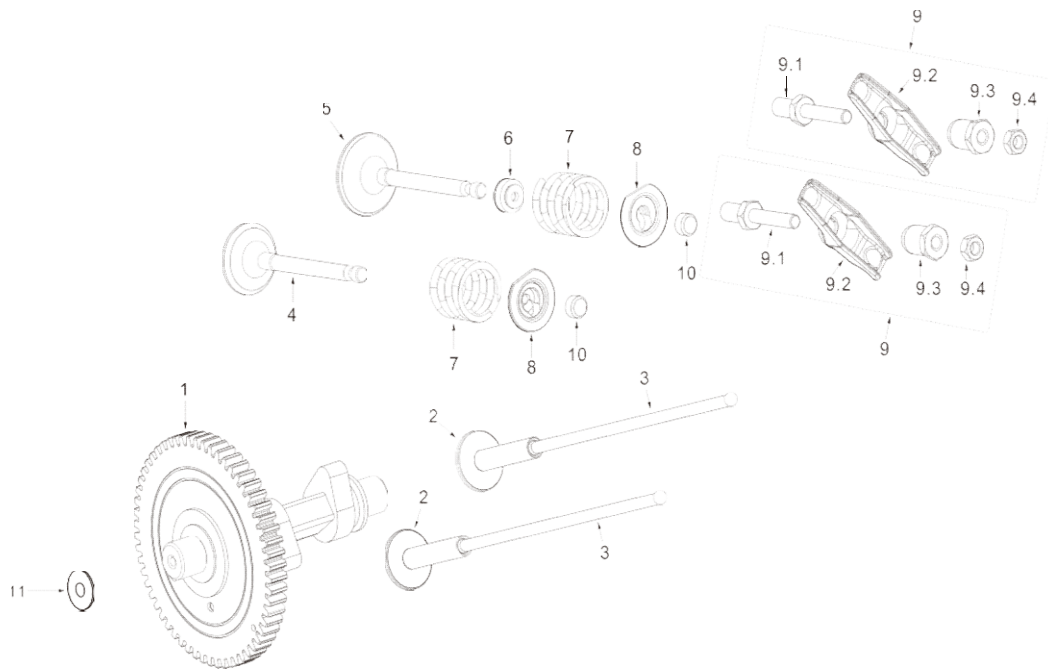
Ref #	Part Number	Description	Qty	Ref #	Part Number	Description	Qty
1	3020.T70.001V.00.00	Cylinder head gasket	1	8	0001.T70.001V.00.01	Cylinder head cover	1
2	3170.168.002V.00.00	Set pin(Φ10*14)	2	9	2370.168.007V.00.00	Air duct	1
3	5789.08060.00.01	Bolt (M8*60)	4	10	5787.06012.00.01	Bolt (M6*12)	4
4	0900.08032.00.01	Stud, Exhaust port (M8*32)	2	11	7061.T70.001V.00.0	CAP,BREATHER CHAMBER	1
5	0900.06090.00.01	Stud, Intake port (M6*90)	2	12	7061.T70.002V.00.0	PACKING, BREATHER CHAMBER	1
6	0010.T70.C01V.00.00	Cylinder head	1	13	7080.165.001V.00.0	OIL STRAINER	1
7	3000.T70.001V.00.00	Cylinder head gasket cover	1				



Engine: Camshaft, Rocker, Valve Assemblies

Figure 6 - Camshaft, Rocker, Valve Assembly Parts

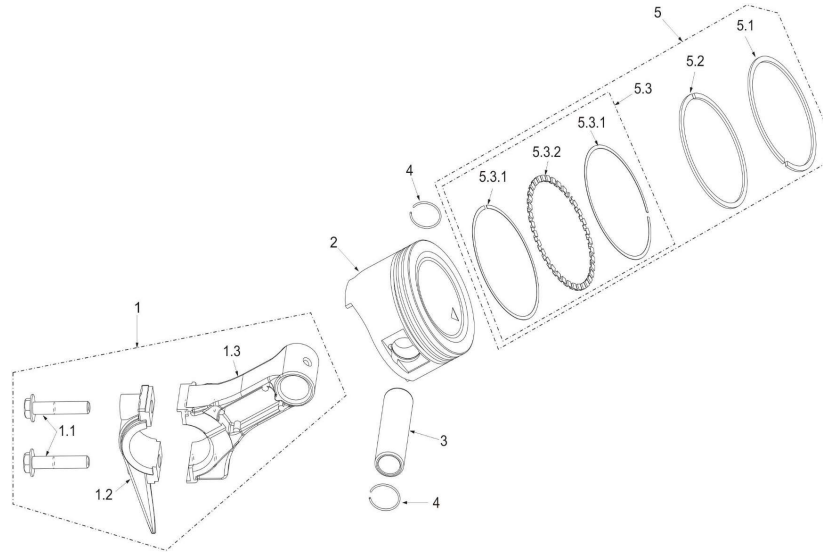
Ref #	Part Number	Description	Qty	Ref #	Part Number	Description	Qty
1	1040.F70.001V.60.00	Camshaft assembly	1	9	0100.165.001V.00.00	Rocker assembly	2
2	1030.F68.001V.00.00	Tappet	2	9.1	(Rocker assembly)	Stud, Rocker M6×52,Pitch=0.75	2
3	0160.165.001V.00.00	Pusher	2	9.2		Rocker	2
4	0030.T70.001V.00.00	Exhaust valve	1	9.3		Adjust nut, sphere M6,Pitch=0.75	2
5	0020.T70.001V.00.00	Intake valve	1	9.4		Lock nut M6,Pitch=0.75	2
6	0085.165.001V.00.00	Oil seal, Intake valve	1	10	0090.168.001V.00.00	Cap, Exhaust valve	2
7	0040.165.R001V.00.00	Valve spring	2	11	1050.168.002V.00.00	Camshaft wear gasket	1
8	0070.168.001V.00.00	Valve-spring retainer	2				



Engine: Piston/Connecting Rod Assemblies

Figure 7 - Piston/Connecting Rod Parts

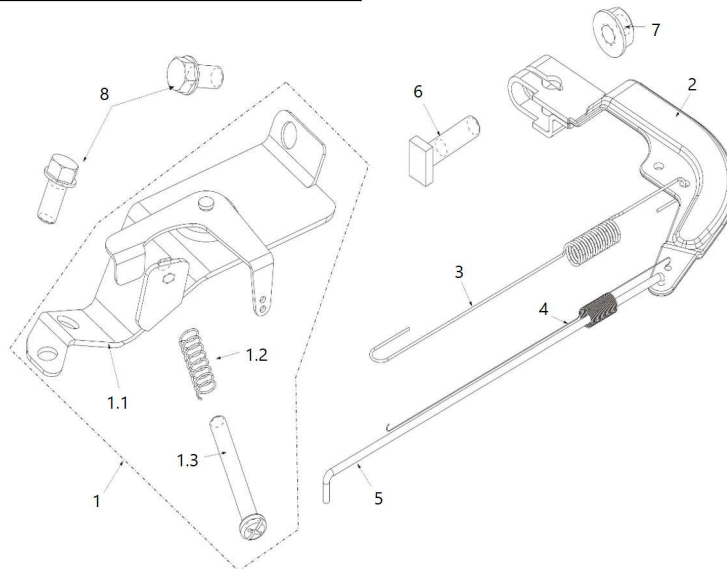
Ref #	Part Number	Description	Qty	Ref #	Part Number	Description	Qty
1	0190.168.001V.00.00	Connecting Rod assembly	1	5	0210.170.E01V.00.00	Piston Ring assembly	1
1.1	(Connecting Rod assembly)	Bolt,Connecting rod	2	5.1	(Piston Ring assembly)	First air ring	1
1.2		Cover ,Connecting rod	1	5.2		Second air ring	1
1.3		Body,Connecting rod	1	5.3		Oil ring assembly	1
2	0200.170.E01V.00.00	Piston	1	5.3.1		Scraper ring	2
3	0220.168.001V.00.00	Piston pin	1	5.3.2		Set off ring	1
4	0230.168.001V.00.00	Clip,Piston pin	2				



Engine: Throttle Assembly

Figure 8 - Throttle/Speed Adjustment Base Parts

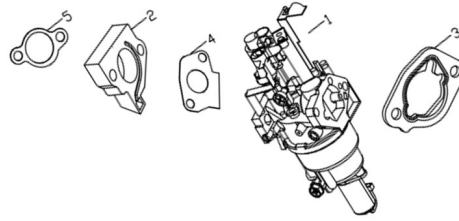
Ref #	Part Number	Description	Qty	Ref #	Part Number	Description	Qty
1	1180.168.002V.00.00	Speed adjustment base assembly	1	4	1160.168.001V.00.00	Micro-adjustable Speed Spring	1
1.1	(Speed Adjustment base assembly)	Speed adjustment base	1	5	1140.168.001V.00.00	Speed adjustment arm	1
1.2		Adjustable Speed Spring	1	6	1130.168.A01V.00.01	Type T bolts	1
1.3		Adjustable Speed Screw	1	7	1130.168.A01V.00.02	Bolt (M6*12)	1
2	1130.168.A01V.00.00	Speed adjustment arm assembly	1	8	6177.06000.00.01	Nut (M6)	1
3	1150.168.004V.00.00	Reset spring	1				



Engine: Carburetor

Figure 9 - Carburetor Parts

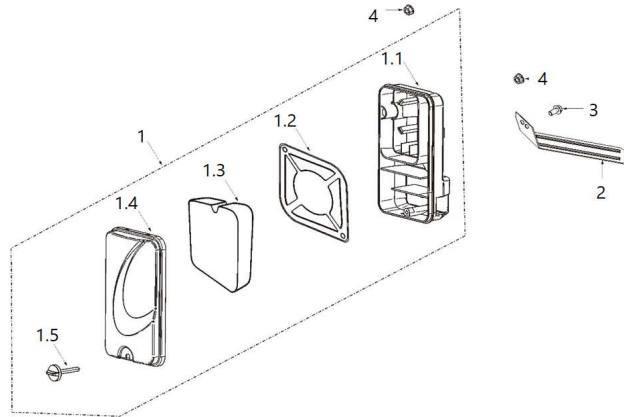
Ref #	Part Number	Description	Qty	Ref #	Part Number	Description	Qty
1	2260.170.C01V.00.00	Carburetor Assembly	1	4	3080.168.004V.00.00	Carburetor Gasket	1
2	2300.168.001V.00.00	Carburetor Block	1	5	3060.168.004V.00.00	Inlet Port Gasket	1
3	3095.168.008V.00.00	Air Cleaner Gasket	1				



Engine: Air Cleaner

Figure 10 - Air Cleaner Parts

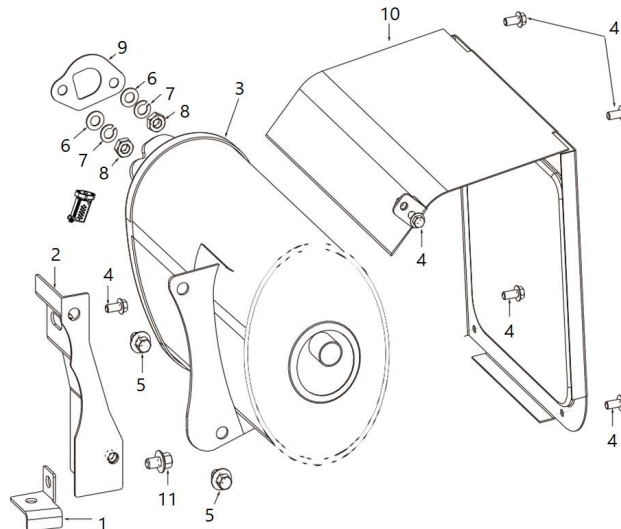
Ref #	Part Number	Description	Qty	Ref #	Part Number	Description	Qty
1	2280.168.C07V.00.00	Air cleaner assembly	1	1.5	(Air Cleaner assembly)	Air filter bolt	1
1.1	(Air Cleaner assembly)	Lower case cover	1	2	2290.168.001V.00.00	Air filter support	1
1.2		Support frame	1	3	5787.06012.00.01	Bolt(M6*12)	1
1.3		Foam filter	1	4	6177.06000.00.01	Nut (M6)	2
1.4		Upper case cover	1				



Engine: Muffler

Figure 11 - Muffler Party

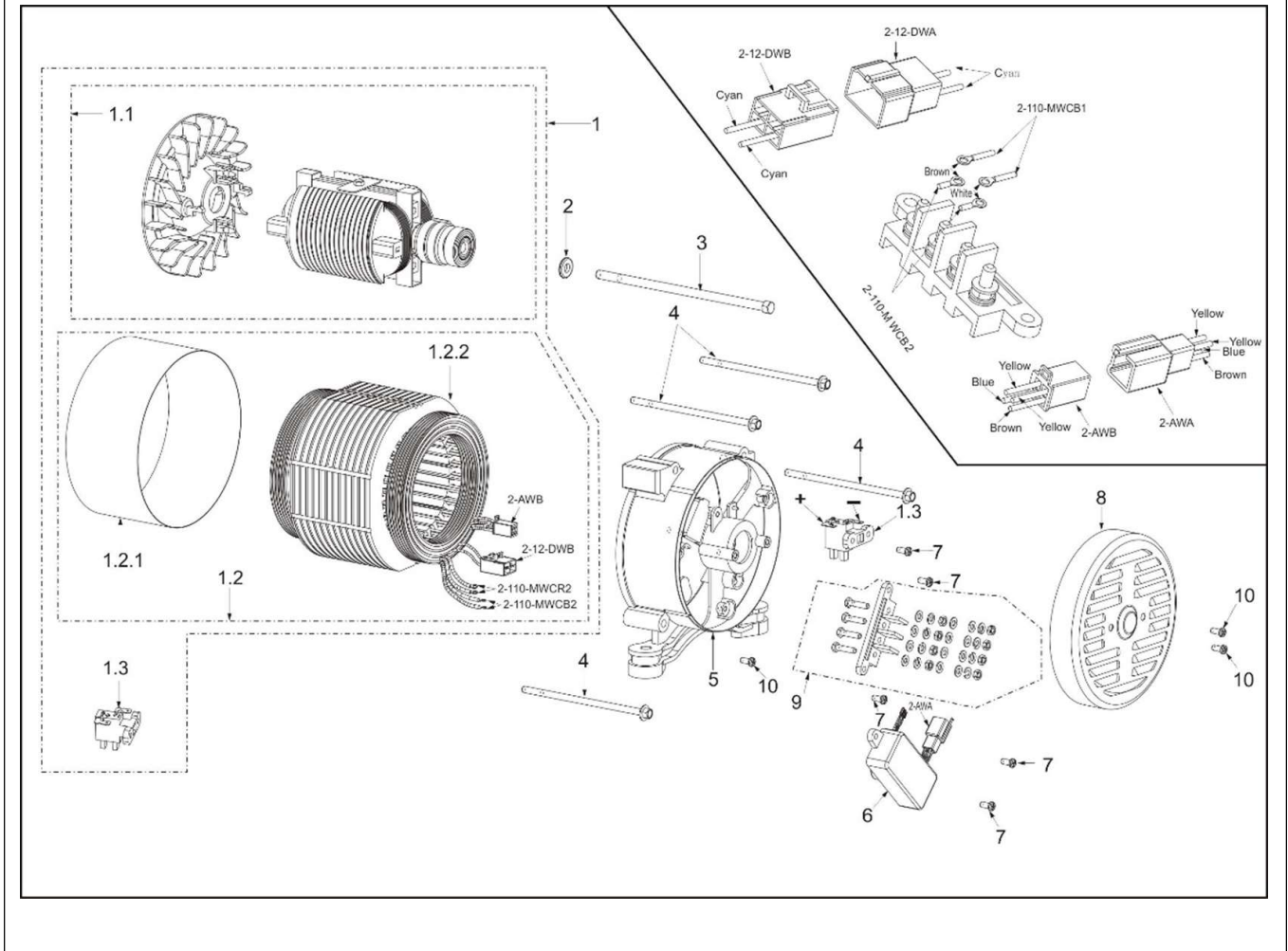
Ref #	Part Number	Description	Qty	Ref #	Part Number	Description	Qty
1	2445.460.001V.D7.00	Fixer, Muffler support	1	7	0093.08000.00.01	Spring gasket (φ8)	2
2	2440.460.001V.D7.00	Muffler support	1	8	6170.08000.00.01	Nut (M8)	2
3	2400.475.008V.00.00	Muffler ass.	1	9	3100.168.004V.00.00	Gasket, exhaust port	1
4	5787.06012.00.01	Bolt(M6*12)	6	10	460.2420.001.04.00	Protector, muffler	1
5	5787.08016.00.01	Bolt(M8*16)	2	11	5787.08012.00.01	Bolt(M8*12)	1
6	0097.08000.00.01	Washer	2				



Stator & Rotor

Figure 12 - Stator & Rotor Assembly Parts

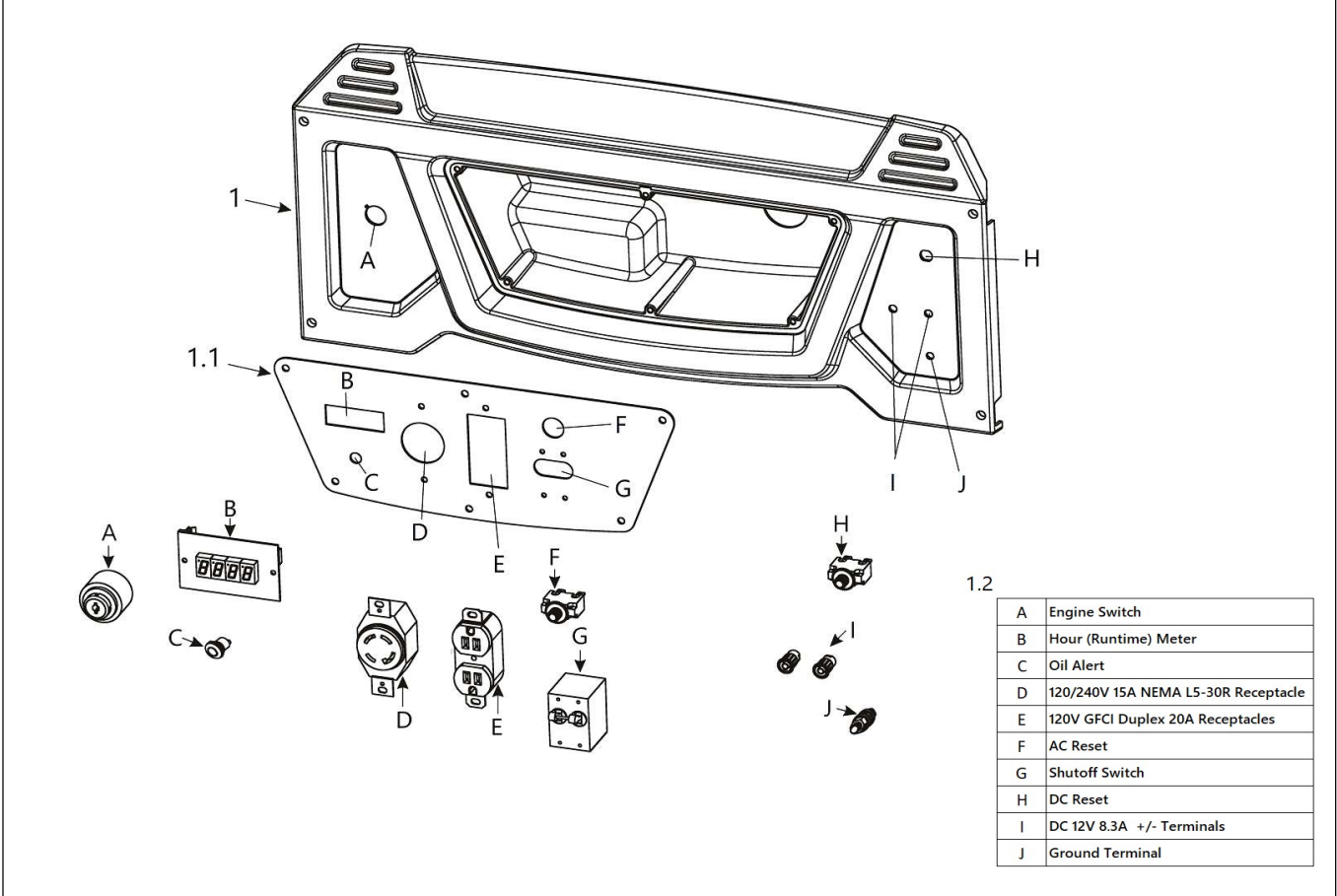
Ref #	Part Number	Description	Qty	Ref #	Part Number	Description	Qty
1	4000.475.336V.00.00	Rotor & Stator assembly	1	4	5789.06164.04.01	Bolt (M6*164)	4
1.1	(Rotor Assembly)	Rotor assembly	1	5	4010.460.001V.00.00	Stator/Rotor support	1
1.2	(Stator Assembly)	Stator assembly	1	6	4020.460.P01V.00.00	AVR assembly	1
1.2.1		Stator cover	1	7	5789.05018.00.01	Screw (M5*18)	5
1.2.2		Stator	1	8	4060.460.001V.04.00	Bottom cover	1
1.3	(Brush Assembly)	Brush assembly	1	9	4000.475.336V.00.06	Connecting block	1
2	4100.460.004V.20.00	Washer (Φ8*Φ25*3)	1	10	5789.05010.00.01	Bolt (M5*10)	3
3	5789.08220.04.01	Bolt(M8×220×1)	1				



Control Panel

Figure 13 - Control Panel

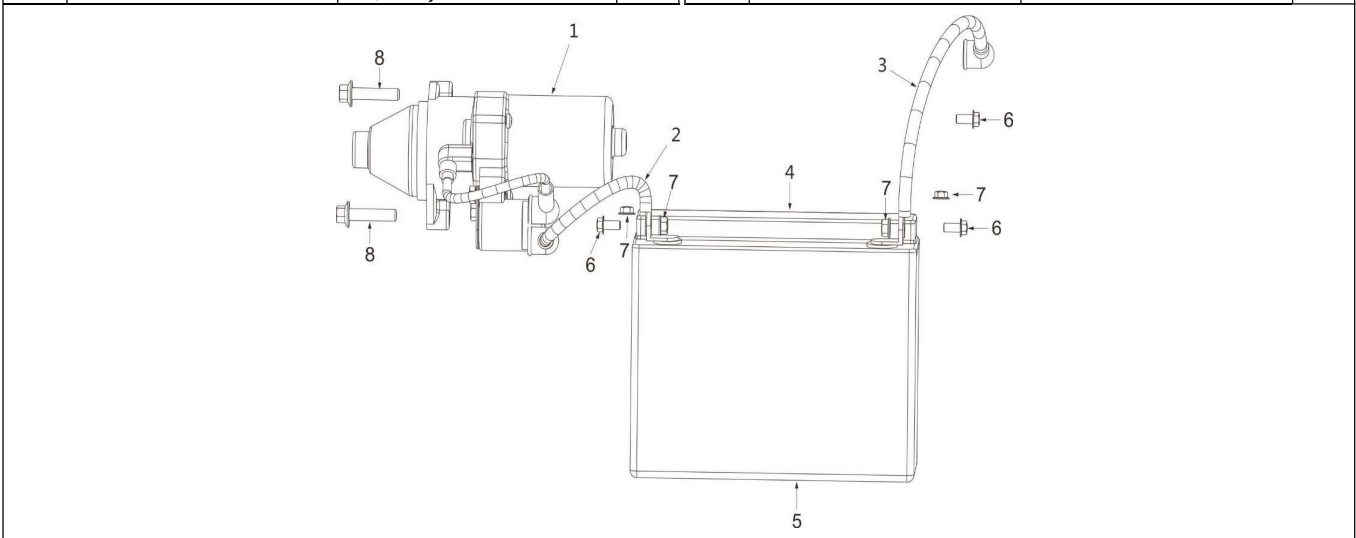
Ref #	Part Number	Description	Qty	Ref #	Part Number	Description	Qty
1	3370.475.P280.04.99	Control Panel assembly	1	1.2	(Control Panel assembly)	Controls and Receptacles	-
1.1	(Control Panel assembly)	Component panel	1				



Electric Starter

Figure 14 - Electric Starter Parts

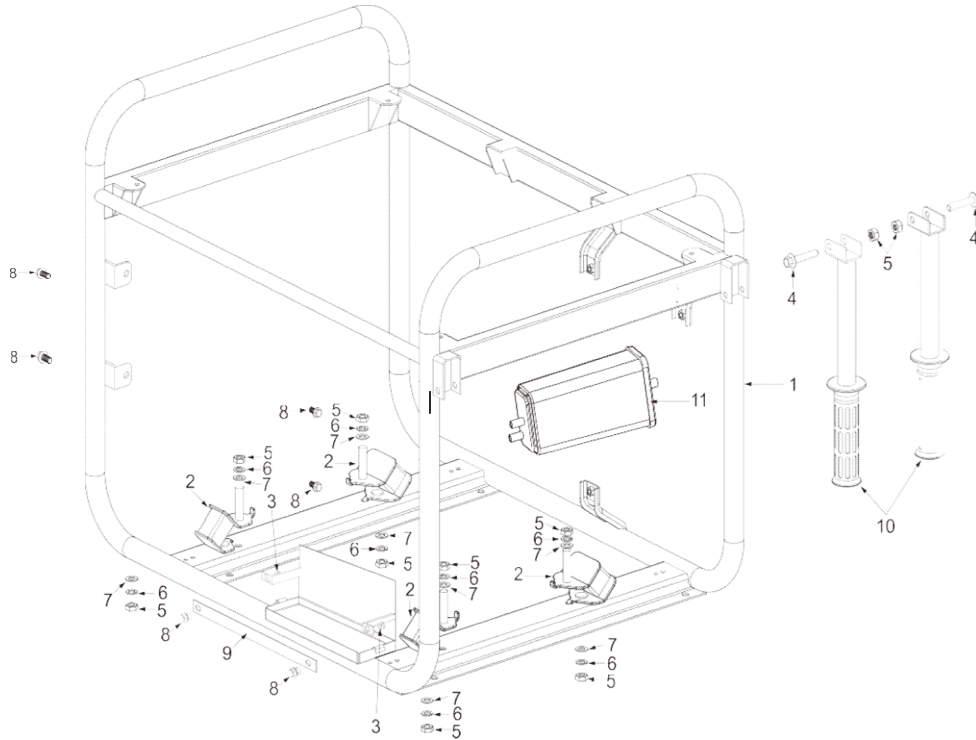
Ref #	Part Number	Description	Qty	Ref #	Part Number	Description	Qty
1	2070.D68.A04V.00.00	Starting motor parts	1	5	2460.522.004V.00.00	Battery	1
2	2480.460.009V.00.00	Battery positive pole wire	1	6	5787.06012.00.01	Bolt M6×12	3
3	2480.460.003V.00.00	Battery negative pole wire	1	7	6170.06000.00.01	Nut M6	4
4	3330.520.122V.04.0	Fixer, Battery	1	8	5787.08035.00.01	Bolt M8×35	2



Generator Frame

Figure 15 - Frame Parts

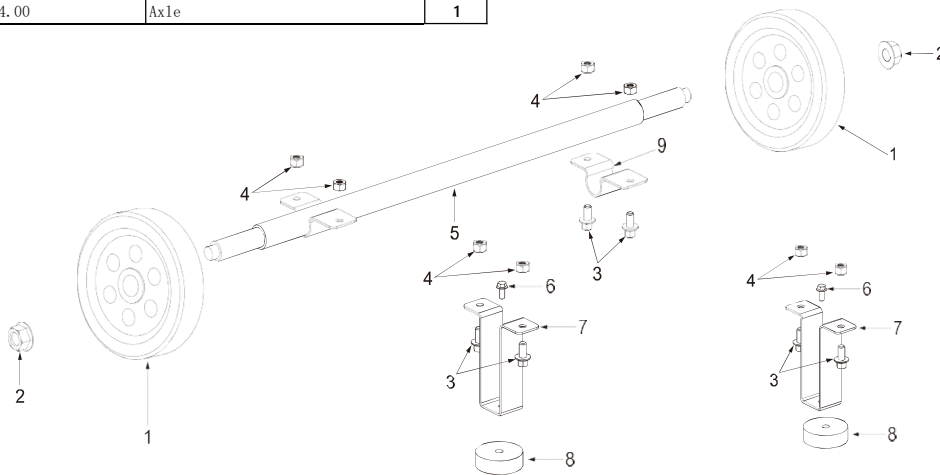
Ref #	Part Number	Description	Qty	Ref #	Part Number	Description	Qty
1	3331.475.P120.D7.00	Frame	1	7	0097.08000.00.01	Washer	8
2	3350.460.001V.00.00	Shock absorber	4	8	5787.06012.00.01	Bolt (M6×12)	6
3	6170.06000.00.01	Nut	2	9	3330.460.102V.D7.10	Battery bracket	1
4	5789.08040.00.01	Nut	2	10	3330.460.E91V.D7.01	Handrail	2
5	6170.08000.00.01	Nut	8	11	4440.487.0020.00.00	Carbon tank	1
6	0093.08000.00.01	Spring washer	8				



Wheel Kit

Figure 16 - Wheel Kit Parts

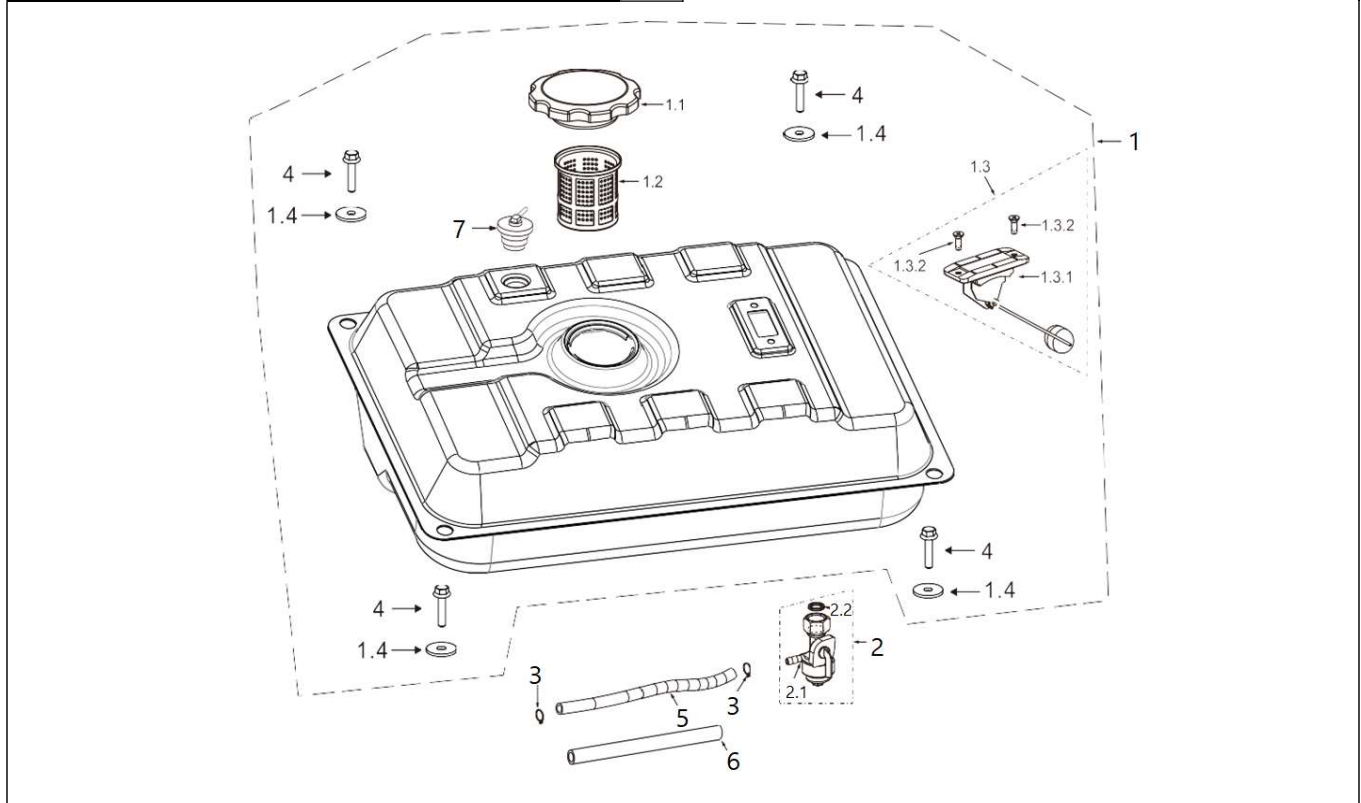
Ref #	Part Number	Description	Qty	Ref #	Part Number	Description	Qty
1	3332.524.007V.00.00	Solid wheel	2	6	5787.06012.00.01	Bolt (M6×12)	2
2	6177.12000.07.01	Nut	2	7	3334.460.0011.04.00	V type support seat	2
3	5787.08016.00.01	Bolt M8×16	8	8	3360.520.003V.00.00	Washer	2
4	6177.08000.07.01	Nut	2	9	3330.520.122V.04.04	Axle mount	2
5	3335.460.S02V.04.00	Axle	1				



Fuel Tank

Figure 17 - Fuel Tank

Ref #	Part Number	Description	Qty	Ref #	Part Number	Description	Qty
1	3200.460.C211.P5.00	Fuel tank assembly	1	2.1		Fuel on-off	1
1.1	(Fuel Tank assembly)	Fuel tank cover	1	2.2		Gasket	1
1.2		Fuel filter	1	3	2360.458.007V.00.00	Belt tubing clip(Φ7.8)	2
1.3		Fuel gauge assembly	1	4	5787.06025.00.01	Bolt(M6×25)	4
1.3.1		Fuel gauge display	1	5	2330.188.C030.00.21	Fuel tube	1
1.3.2		Screw(5×14)	2	6	2332.188.004V.00.00	Tubing protective sleeve	1
1.4	Gasket(Φ6×Φ25×1.5)	4	7	3200.487.C01V.00.09	Tank check valve	1	
2	3210.460.D01V.00.00	Fuel switch assembly	1				



Generator Specifications

Receptacles

Type	Quantity
120 GDCI Duplex (20A)	1 Pair
120/240V 15A NEMA L5-30R	1
12V DC 8.3A	1

Specifications

Power (Maximum)	3500W
Power (Rated)	3000W
Frequency	60 Hz
Starting Type	Electric
Run Time at 50% Load (Hours per full fuel tank)	12+
Run Time at 100% Load (Hours per full fuel tank)	6+
Fuel Capacity	4 gallons (15 L)
Wheel Kit	Included
EPA Certified	Yes
CARB Certified	Yes
Unit Dimensions	23.25" x 17.5" x 18"
Sound Level (decibals @ 23 ft)	69.5 dBA
Unit Weight	133 lbs (60.4 kg)

Warranty

BN Products-USA warrants this tool to the original purchaser, to be free of defects in materials and workmanship under normal and appropriate use and servicing for the period of one year or 750 hours of use from the date of purchase.

BN Products-USA sole responsibility under this warranty is limited to the replacement or repair, at a designated facility, of only the part or parts evaluated by BN Products-USA upon inspection to be defective in materials and workmanship.

BN Products-USA™
 Quality Products Engineered with Intelligence and Imagination™