



## Cutting Edge Saw™

### BNCE-30 Parts Guide



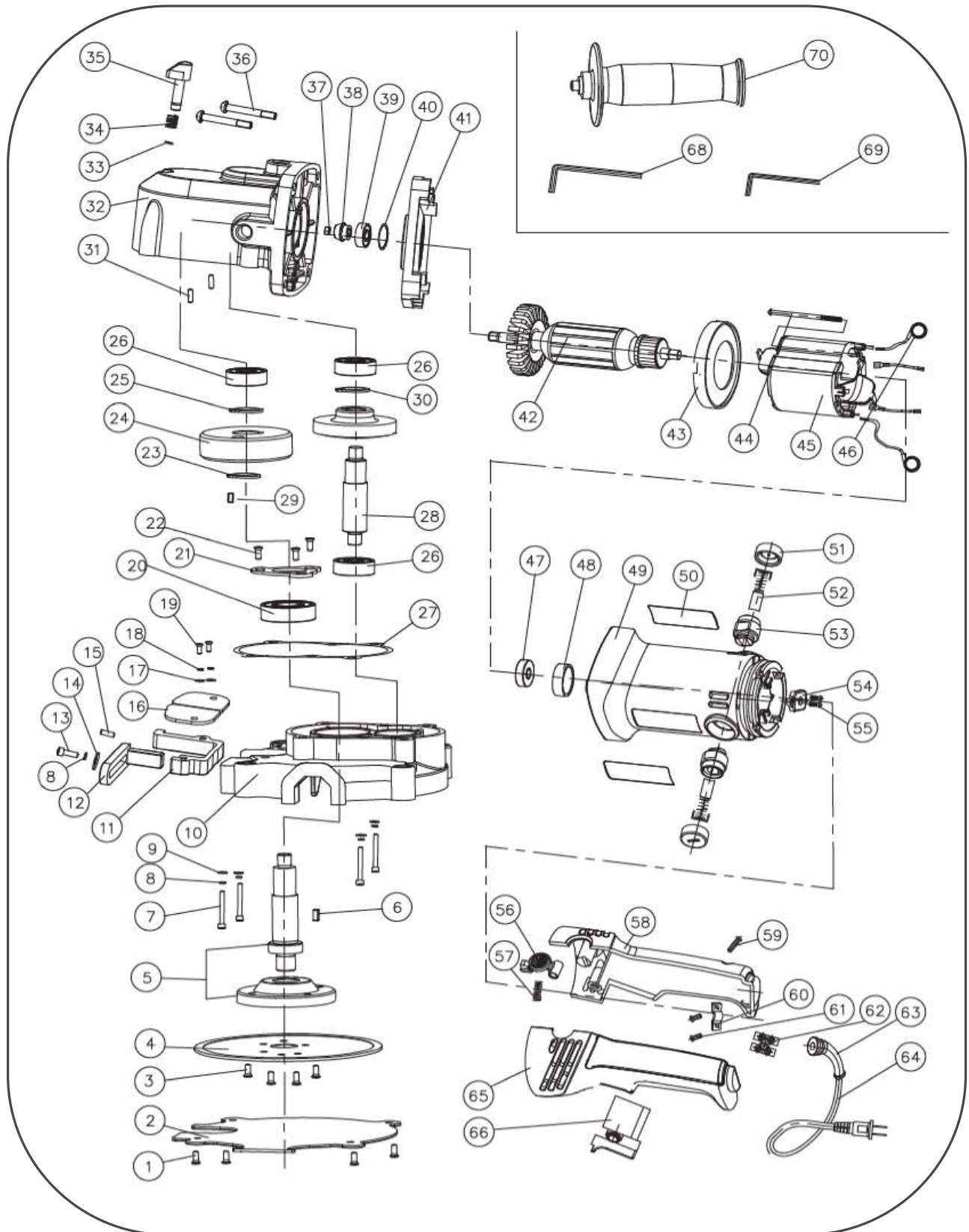
The BNCE-30 Cutting Edge Saw™ is an electric (corded) multi-purpose cutting tool. The saw can easily cut #8 (1") rebar, threaded rod, chain, EMT conduit, copper pipe, steel rods and tubing, and much more. This tool features a three-position handle for reach and stability. The capacity of the opening is 1.18" (30 mm), with a shrouded blade for user-safety. This kit includes a replacement cutting saw blade, and chip collection bag, and a molded carrying case.

### BN Products-USA™

3450 Sabin Brown Road | Wickenburg, AZ 85390  
(800) 992-3833 | [WWW.BNPRODUCTS.COM](http://WWW.BNPRODUCTS.COM)

Rev 9/27/2021

**Exploded View Drawing | BNCE-30 Cutting Edge Saw™**



## BNCE-30 Cutting Edge Saw™ Parts Listing

#	Part Number	Description	Qty	#	Part Number	Description	Qty
1	BNCEPI-71	HEXAGON SOCKET SCREW M5 x 14	4	37	BNCEP-35	LOCKNUT M6	1
2	BNCEP30-02	BLADE COVER	1	38	BNCEP-36-A	BEVEL PINION (NEW)	1
3	BNCEPI-73	HEXAGON SOCKET SCREW M5 x 28	4	39	BNCEP-37	BALL BEARING (6000-2Z)	1
4	RB-BNCE-30	BLADE	1	40	BNCEP-38	O-RING 25X2	1
5	BECEP30-6	BLADE SPINDLE ASSEMBLY BNCE-30	1	41	BNCEP-39	DIAPHRAGM	1
6	BECEP1-78	KEY FOR BLADE SPINDLE	1	42	BNCEP-40	ARMATURE	1
7	BNCEP-07	HEXAGON SOCKET SCREW MSX30	4	43	BNCEP-43	FAN GUIDE	1
8	BNCEP-08	SPRING LOCK WASHER-SMM	9	44	BNCEP-44	PAN HEAD TAPPING SCREW	2
9	BNCEP-09	PLAIN WASHER-SMM	9	45	BNCEP-45	STATOR	1
10	BNCEP30-10	ALUNMIUM HOUSING	1	46	BNCEP-46	ELECTRICAL CONNECTOR	2
11	BECEP30-17	FIXED CUTTING GUIDE BLOCK	1	47	BNCEP-41	BALL BEARING (607-2RS)	1
12	BECEP30-18	MOVABLE CUTTING GUIDE BOLCK	1	48	BNCEP-42	BEARING BUSH	1
13	BNCEP-20	HEXAGON SOCKET SCREW M5 x 15	1	49	BNCEP-47	ELECTRICALHOUSING	1
14	BNCEP-66	BIG PLAIN WASHER SMM	1	50	BNCEP30-51	NAME PLATES	2
15	BNCEP-19	PIN A5 x 10	1	51	BNCEP-51	BRUSH CAP	2
16	BECEP30-16	LEFT AND RIGHT RUBBER PLATE	2	52	BNCEP-50	CARBON BRUSH	2
17	BNCEP-22	PLAIN WASHER (4MM)	2	53	BNCEP-49	BRUSH HOLDER	2
18	BNCEP-23	SPRING LOCK WASHER (4MM)	2	54	BNCEP-52	INNER WIRE RETAINER PLATE	1
19	BNCEP-24	HEXAGON SOCKET SCREW M4X16	2	55	BNCEP-53	PAN HEAD TAPPING SCREW	2
20	BNCEP-25	BALL BEARING (6002-2Z)	1	56	BNCEP-54	ROTATION BUTTON FOR HANDLE	1
21	BECEP30-21	BEARING PLATE	1	57	BNCEP-55	SPRING FOR ROTATION BUTTON	1
22	BECEP30-22	CROSS REC COUNT SCREW M4X10	3	58	BNCEP-59	RIGHT HANDLE	1
23	BNCEP-26	SPACER	1	59	BNCEP-60	PAN HEAD TAPPING SCREW	4
24	BNCEP30-25	BIG GEAR	1	60	BNCEP-58	CORD RETAINING CLAMP	1
25	BNCEP-28	RETAINING RING SHAFT CLIP-15	1	61	BNCEP-57	PAN HEAD TAPPING SCREW	2
26	BNCEP-13	BALL BEARING (628-Z)	1	62	BNCEP-63	TERMINAL	1
27	BNCEP-12	GASKET SEAL	1	63	BNCEP-62	CORD ARMOR	1
28	BNCEP-14	BIG BEVEL GEAR ASSEMBLY	1	64	BNCEP-61	POWER CORD-120V	1
29	BNCEP1-78	KEY FOR BLADE SPINDLE-5 X 5 X 14	1	65	BNCEP-64	LEFT HANDLE	1
30	BNCEP-30-31	SPACER	1	66	BNCEP-56	TRIGGER SWITCH 120V	1
31	BNCEP-29	PIN-A5 X 16	2	68	BNCEP30-68	ALLEN WRENCH 4MM	1
32	BNCEP-30	ALUNMIUM GEAR BOX HOUSING	1	69	BNCEP30-69	ALLEN WRENCH 3MM	1
33	BNCEP-31	STEEL RING-SMM	1	70	BNCEP-67	SIDE HANDLE	1
34	BNCEP-32	SPRING FOR LOCK BUTTON	1		BNCEP-68	CHIP COLLECTION BAG	1
35	BNCEP-33	BLADE LOCKING BUTTON	1		BNCEP-CASE-30	BNCE-30 BMC CASE	1
36	BNCEP-34	PANHEAD TAPPING SCREWS	2				