

Figure 5 - Product Specifications

Item No.	BNR6502
Rated Voltage	120V / 60 Hz
Rate Power	1800 W (15A) / 2.4 HP
Rated No-Lead Speed / Gear 1 - Gear 2	440RPM - 780 RPM
Mixing Paddle Size (2)	4.75" / 120mm x 23.25" 590mm
Sound Level	102.7 dB(A) ± 3 dB(A)
Vibration	5.7 m/s ²
Variable Speed	YES
Speed Control Lock	YES
Power Source	Corded (12' cord)
Paddle Connection	M13
Recommended Material Capacity	24 gal. (92 L)
Paddle Diameter	5.5" (140mm)
Weight (with Paddles)	18.5 lbs.
Unit Dimensions	13.75" x 8" x 36" (35 x 20 x 91.5 cm)



www.BNProducts.com



BN PRODUCTS-USA, LLC.

Quality Construction Tools

BNR6502 Power Mixer Parts Guide

1800W Dual Paddle Electric Mixer



From low-viscosity paints to high-viscosity mortars, this Mixer will get your job done quicker! The BNR6502 features a powerful high-torque motor with a two-speed gear box and double shaft paddles, mixing in opposite directions.

BN Products-USA™

3450 Sabin Brown Road | Wickenburg, AZ 85390
(800) 992-3833 | WWW.BNPRODCUTS.COM

Figure 1 - BNR6502 Dual-Paddle Power Mixer: Part Number Listing

#	Part Number	Description	QTY	#	Part Number	Description	QTY
1	BNRP00001	Screw ST4.8X70	6	38	BNRP00069	Shaft Ring 20	2
2	BNRP00002	Left Handle Upper	1	39	BNRP00070	Bearing 6002	2
3	BNRP00003	Rear Housing	1	40	BNRP00052	Shaft Ring 15	2
4	BNRP00004	Speed Control	1	41	BNRP00071	Center Shaft	1
5	BNRP00005	Cable Clamp	1	42	BNRP00072	Screw ST4.8x45	4
6	BNRP00006	Screw ST3.9x14	10	43	BNRP00073	Gear Box	1
7	BNRP00007	Aluminium Handle Frame	1	44	BNRP00040	Pin ϕ 4x8	2
8	BNRP00051	Handle Frame Cover Upper	1	45	BNRP00074	Big Gear	2
9	BNRP00051	Handle Frame Cover Lower	1	46	BNRP00075	Shaft Ring 14	2
10	BNRP00010	Left Handle Lower	1	47	BNRP00041	Bearing 698	2
11	BNRP00011	Motor Housing	1	48	BNRP00076	Three-level Drive Gear	1
12	BNRP00012	Brush Holder	2	49	BNRP00077	Bearing 668	4
13	BNRP00013	Carbon Brush	2	50	BNRP00078	Second-level Driven Gear	1
14	BNRP00014	Brush Cover	2	51	BNRP00060	Second-level Gear Shaft	1
15	BNRP00015	Stator	1	52	BNRP00059	Key 3x3.7x10	1
16	BNRP00016	Wind Baffle	1	53	BNRP00043	Three-level Shaft	1
17	BNRP00017	Bearing Sleeve	1	54	BNRP00058	First-level Driven Gear	1
18	BNRP00018	Bearing 6000	1	55	BNRP00056	Shaft Ring 10	1
19	BNRP00019	Armature	1	56	BNRP00049	Oil Cover	1
20	BNRP00020	Bearing 6001	1	57	BNRP00079	Gasket Seal	1
21	BNRP00021	Spring	1	58	BNRP00080	Oil Absorption Sheet	1
22	BNRP00022	Cable Plug	1	59	BNRP00081	Paper Seal	1
23	BNRP00023	Cable Guard	1	60	BNRP00082	Centre Cover	1
24	BNRP00024	Right Handle Lower	1	61	BNRP00045	Screw M4x6	3
25	BNRP00025	Screw M4x12	2	62	BNRP00083	Screw M3x10	4
26	BNRP00026	Screw ST3.9x20	1	63	BNRP00084	Shaft Steel Ring 8	1
27	BNRP00027	Press Plate	1	64	BNRP00085	Hole Ring 16	1
28	BNRP00028	Capacitor	1	65	BNRP00086	Gear	1
29	BNRP00029	Switch	1	66	BNRP00087	Shaft Ring 12	1
30	BNRP00030	Insulation Plate	1	67	BNRP00036	Speed Control Lever	1
31	BNRP00031	Right Handle Upper	1	68	BNRP00035	Hole Ring 28	1
32	BNRP00063	Output Shaft	2	69	BNRP00033	Steel Ball ϕ 4	2
33	BNRP00064	Key 5x10	2	70	BNRP00088	Spring	2
34	BNRP00065	Connection Sleeve (R)	1	71	BNRP00032	Speed Control Button	1
35	BNRP00066	Hole Ring 42	2	72	BNRP00089	Connection Sleeve (L)	1
36	BNRP00067	Dust Proof Ring	2	73	BNRP00062	Screw ST2.9x8	1
37	BNRP00068	Bearing 6004	2				

Figure 2 - BNR013-120 Paddle Set:

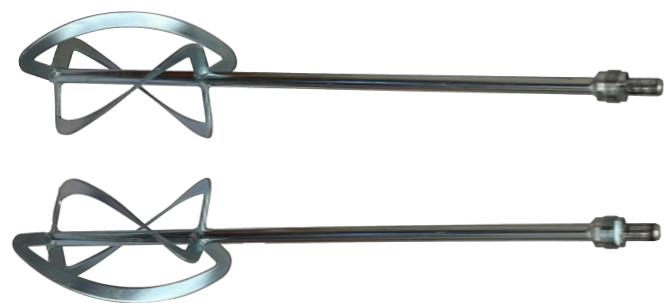


Figure 3 - Handle & Control Callouts:

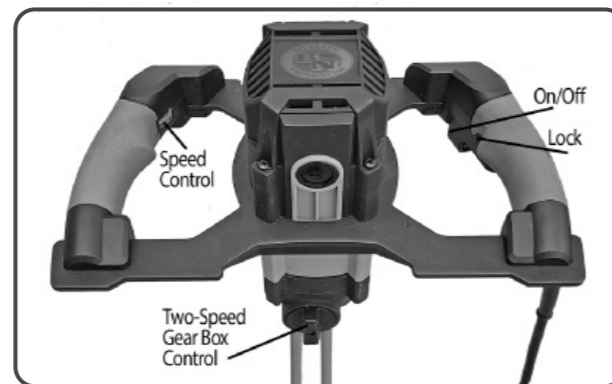


Figure 4 - BNR6502 Dual-Paddle Power Mixer: Exploded View

