



BN PRODUCTS-USA, LLC.

Quality Construction Tools

BNG4000iE Spare Parts Guide

3500 Watt-rated Inverter Generator



The BNG4000iE is an enclosed-frame, gasoline-powered inverter generator. This model features a wireless remote starter key fob, as well as pull starting. This lightweight, quiet (64 dBA at 23') unit produces a stable, maximum 4000W (3500W rated) output, and includes (1) GFCI-protected Duplex 120V / 20A outlet, (1) 3-prong twist-lock 30A outlet, and (1) 12V 8.3A receptacle. Standard safety features such as Automatic Shut-off, Low Oil Indicator, and covered receptacles are included.

BN Products-USA™

3450 Sabin Brown Road | Wickenburg, AZ 85390

(800) 992-3833 | WWW.BNPRODUCTS.COM

Rev 11/17/2021

BNG4000iE-parts-guide

Parts Breakdown | BNG4000iE Inverter Generator

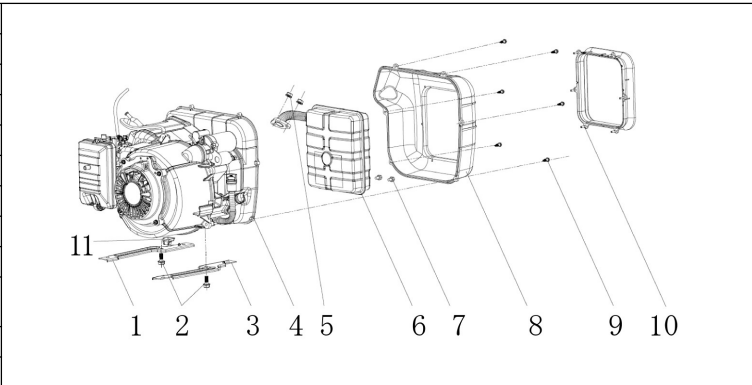
Inverter Generator Spare Parts List

Engine Housing Parts

(See Figure 1)

Figure 1 - Engine Housing

| Ref # | Part Number | Description | Qty |
|-------|---------------------|--|-----|
| 1 | 41102-G220020-H0200 | Engine bracket - left | 1 |
| 2 | 91101-0820-00100 | Hexagonal flange bolt | 2 |
| 3 | 41102-G220010-H0200 | Engine bracket - right | 1 |
| 4 | H225iD | Engine | 1 |
| 5 | 92101-0800-00100 | Hexagonal nut | 2 |
| 6 | 23100-G220010-H0200 | Muffler housing | 1 |
| 7 | 91101-0612-00100 | Hexagonal flange bolt | 2 |
| 8 | 23011-G300010-00000 | Muffler rear cover | 1 |
| 9 | 91206-4214-00500 | Cross recessed pan head self threading screw | 6 |
| 10 | 23018-G220010-00000 | Muffler exhaust sleeve | 1 |
| 11 | 25183-G220010-00000 | Baffle | 1 |

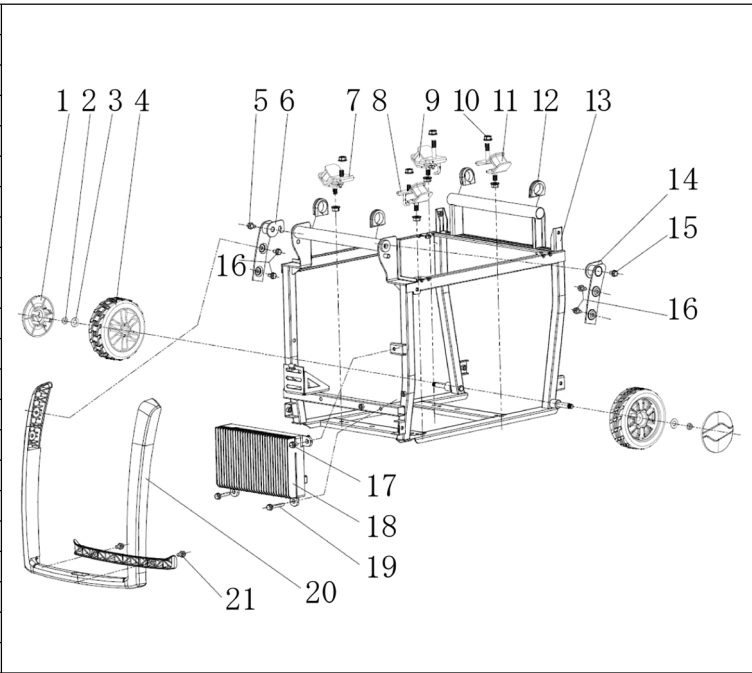


Frame Assembly Parts

(See Figure 2)

Figure 2 - Frame Assembly Parts

| Ref # | Part Number | Description | Qty |
|-------|---------------------|--------------------------|-----|
| 1 | 41402-G220040-C0100 | Wheel cap | 2 |
| 2 | 92102-0800-00100 | Steel Hexagonal lock nut | 2 |
| 3 | 93104-1225-00100 | Washer - Type C | 2 |
| 4 | 44220-G220010-C0100 | Wheel assembly | 2 |
| 5 | 91705-G290030-00000 | Hexagonal step bolt | 1 |
| 6 | 44412-G220020-H0200 | Handle hose connector | 1 |
| 7 | 41110-G220020-00000 | Shock pad - left/front | 1 |
| 8 | 41120-G220010-00000 | Shock pad - right/front | 1 |
| 9 | 41110-G220010-00000 | Shock pad - left/rear | 1 |
| 10 | 92201-0800-00100 | Hexagonal flange nut | 4 |
| 11 | 41120-G220020-00000 | Shock pad - right/rear | 1 |
| 12 | 41405-G220020-00000 | Rubber handle trip | 1 |
| 13 | 41210-G220010-H0200 | Frame support assembly | 1 |
| 14 | 44412-G220010-H0200 | Handle tube connector | 1 |
| 15 | 91705-G290030-00000 | Hexagonal step bolt | 2 |
| 16 | 91101-0612-00100 | Hexagonal flange bolt | 2 |
| 17 | 91101-0620-00100 | Hexagonal flange bolt | 1 |
| 18 | 36300-G220030-00000 | Inverter housing | 1 |
| 19 | 91101-0632-00100 | Hexagonal flange bolt | 2 |
| 20 | 44410-G220010-H0400 | Front handle assembly | 1 |
| 21 | 41402-G220010-H0400 | Front bracket cover | 1 |

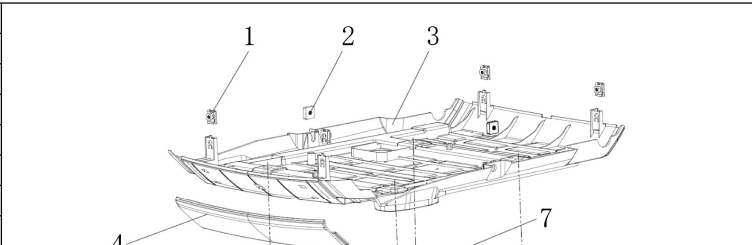


Lower Frame sub-assembly

(See Figure 3)

Figure 3 - Lower Frame sub-assembly

| Ref # | Part Number | Description | Qty |
|-------|---------------------|-----------------------|-----|
| 1 | 92319-G290010-00000 | Nut | 1 |
| 2 | 92318-G290020-00000 | Square nut | 1 |
| 3 | 41410-G220010-H0400 | Base frame covering | 1 |
| 4 | 41402-G220030-C0100 | Frame cover panel | 1 |
| 5 | 41130-G220010-00000 | Base footing pad | 2 |
| 6 | 91101-0612-00100 | Hexagonal flange bolt | 2 |
| 7 | 92201-0800-00100 | Hexagonal flange nut | 2 |



Parts Breakdown | BNG4000iE Inverter Generator

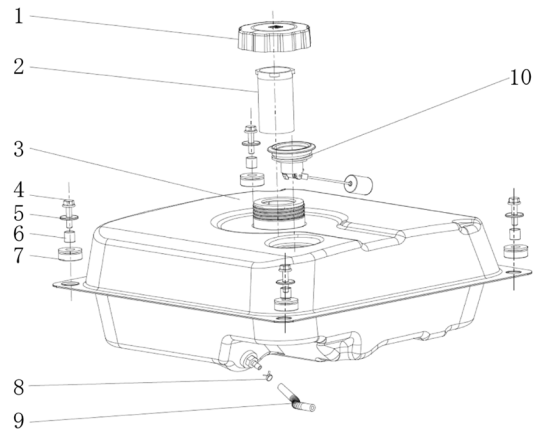
Inverter Generator Spare Parts List

Fuel Tank Assembly Parts

(See Figure 4)

Figure 4 - Fuel Tank Assembly

| Ref # | Part Number | Description | Qty |
|-------|---------------------|-----------------------|-----|
| 1 | 25110-G220010-H0400 | Fuel cap | 1 |
| 2 | 25190-G220010-00000 | Fuel filter | 1 |
| 3 | 25140-G220020-H0200 | Fuel tank | 1 |
| 4 | 91101-0625-00100 | Hexagonal flange bolt | 4 |
| 5 | 93120-G050010-00000 | Fuel tank gasket | 4 |
| 6 | 25103-V020010-00000 | Bushing | 4 |
| 7 | 25101-E010010-00000 | Shock washer | 4 |
| 8 | 95206-G290020-00000 | Fuel line clamp | 1 |
| 9 | 25130-G220010-00010 | Fuel line pipe | 1 |
| 10 | 25210-G220010-00000 | Fuel Leveler | 1 |

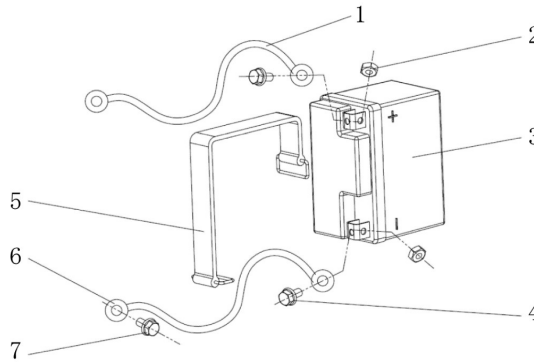


Battery Mount Assembly Parts

(See Figure 5)

Figure 5 - Battery Mount Assembly

| Ref # | Part Number | Description | Qty |
|-------|---------------------|------------------------|-----|
| 1 | 35130-G220010-00000 | Positive terminal wire | 1 |
| 2 | 92201-0400-00100 | Hexagonal flange nut | 2 |
| 3 | 35110-G220010-00000 | Battery | 1 |
| 4 | 91101-0410-00100 | Hexagonal bolt | 2 |
| 5 | 35150-G220010-00000 | Battery bracket | 1 |
| 6 | 35140-G220010-00000 | Negative terminal wire | 1 |
| 7 | 91101-0614-00100 | Hexagonal flange bolt | 1 |

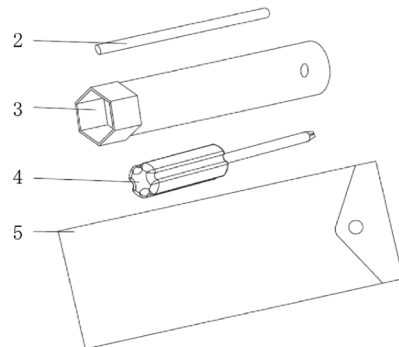


Accessory Tools

(See Figure 6)

Figure 6 - Accessory Tools

| Ref # | Part Number | Description | Qty |
|-------|---------------------|----------------|-----|
| 2 | 96101-E010010-00001 | Extension bar | 1 |
| 3 | 96105-V050010-00001 | Hex nut driver | 1 |
| 4 | 96201-E010010-00001 | Screwdriver | 1 |
| 5 | 96402-E010040-H0400 | Tool bag | 1 |



Parts Breakdown | BNG4000iE Inverter Generator

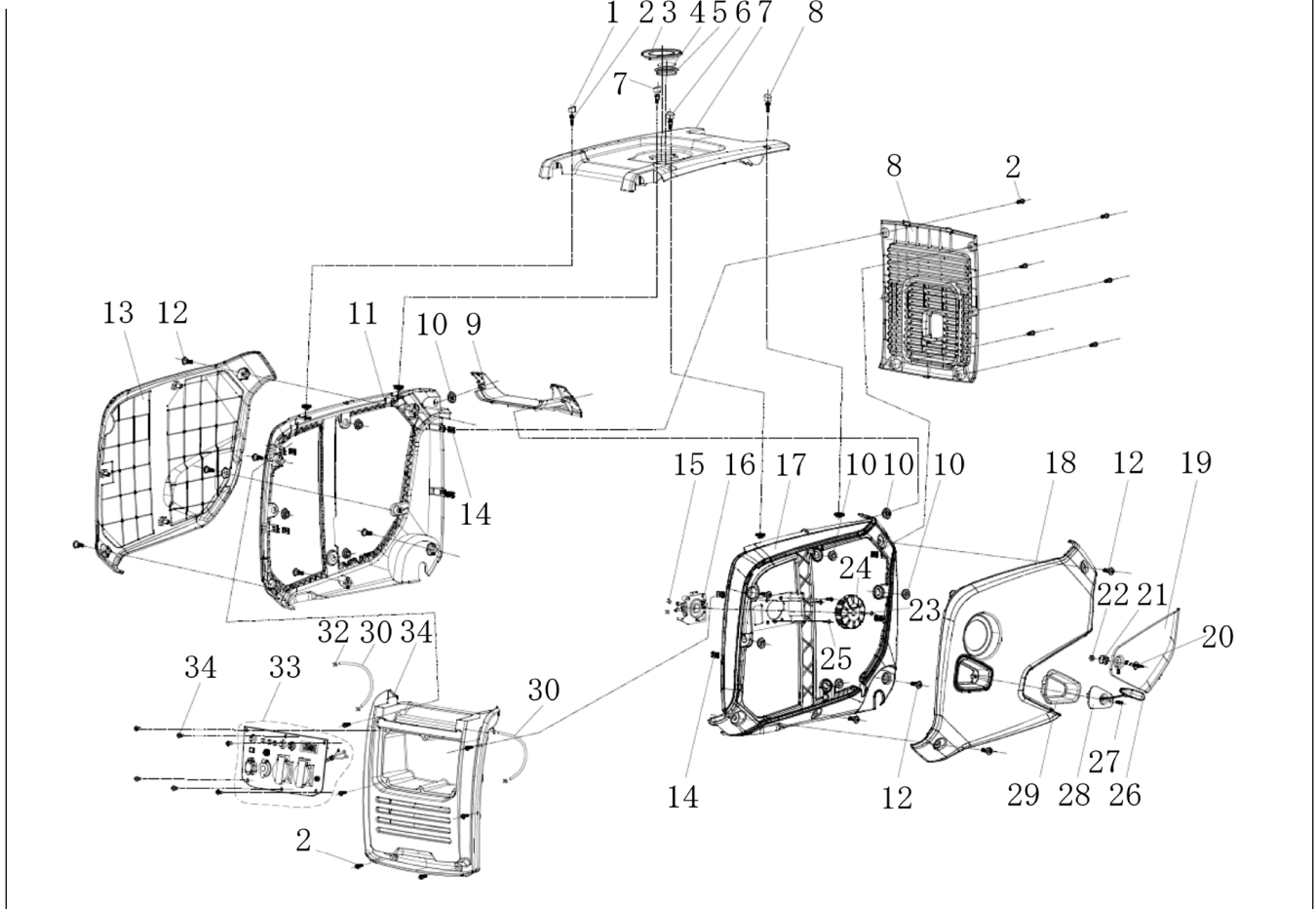
Inverter Generator Spare Parts List

Exterior Frame Parts

(See Figure 7)

Figure 7 - Exterior Frame

| Ref # | Part Number | Description | Qty | Ref # | Part Number | Description | Qty |
|-------|---------------------|-----------------------------|-----|-------|---------------------|---|-----|
| 1 | 41405-G220030-00000 | Rubber sleeve | 2 | 18 | 41431-G220010-C0100 | Right cover | 1 |
| 2 | 91705-G290030-00000 | Hexagonal step bolt | 16 | 19 | 41403-G220010-C0100 | Maintenance cover | 1 |
| 3 | 26233-G220010-00000 | Oil inlet rubber sleeve | 1 | 20 | 41440-G290020-H0100 | Knob assy. | 1 |
| 4 | 25220-G290010-00000 | Oil window | 1 | 21 | 41450-G290010-H0400 | Stop piece assy. | 1 |
| 5 | 25221-G290010-00000 | Rubber pad,Oil window | 1 | 22 | 92102-0500-00200 | Steel Hexagonal lock nut | 1 |
| 6 | 41460-G220010-H0400 | Cover assy. | 1 | 23 | 91202-0416-00200 | Cross recessed pan head screw | 1 |
| 7 | 41405-G220010-00000 | Rubber sleeve | 2 | 24 | 41440-G220010-C0100 | Knob assembly | 1 |
| 8 | 23011-G220010-H0400 | Muffler tail cover | 1 | 25 | 91210-4216-00100 | Cross recessed countersunk head tapping screw | 3 |
| 9 | 41402-G220020-C0100 | Exterior frame shell - rear | 1 | 26 | 28123-E180010-00000 | Recoil handle | 1 |
| 10 | 41422-G290010-00000 | Fixing rubber sleeve | 9 | 27 | 91202-0510-00100 | Cross recessed pan head screw | 1 |
| 11 | 41420-G220010-H0400 | Left cover assy. | 1 | 28 | 41450-G290010-H0100 | Pull stop | 1 |
| 12 | 91705-G220010-00000 | Hexagonal step bolt | 9 | 29 | 41432-G300010-00000 | Handle shell | 1 |
| 13 | 41421-G220010-C0100 | Left outer cover | 1 | 30 | 25130-G220030-00000 | Fuel line | 2 |
| 14 | 92319-G290010-00000 | Nut | 12 | 31 | 36103-G220020-H0400 | Panel seat assy. | 1 |
| 15 | 95206-G290010-00000 | Clamp | 2 | 32 | 25132-V050020-00000 | Fuel line clamp | 4 |
| 16 | 31430-G220010-00000 | Start switch assy. | 1 | 33 | 36120-G220020-H02A0 | Control Panel Assembly | 1 |
| 17 | 41430-G220010-H0400 | Right cover assy. | 1 | 34 | 91202-0510-00100 | Cross recessed pan head screw | 6 |



Parts Breakdown | BNG4000iE Inverter Generator

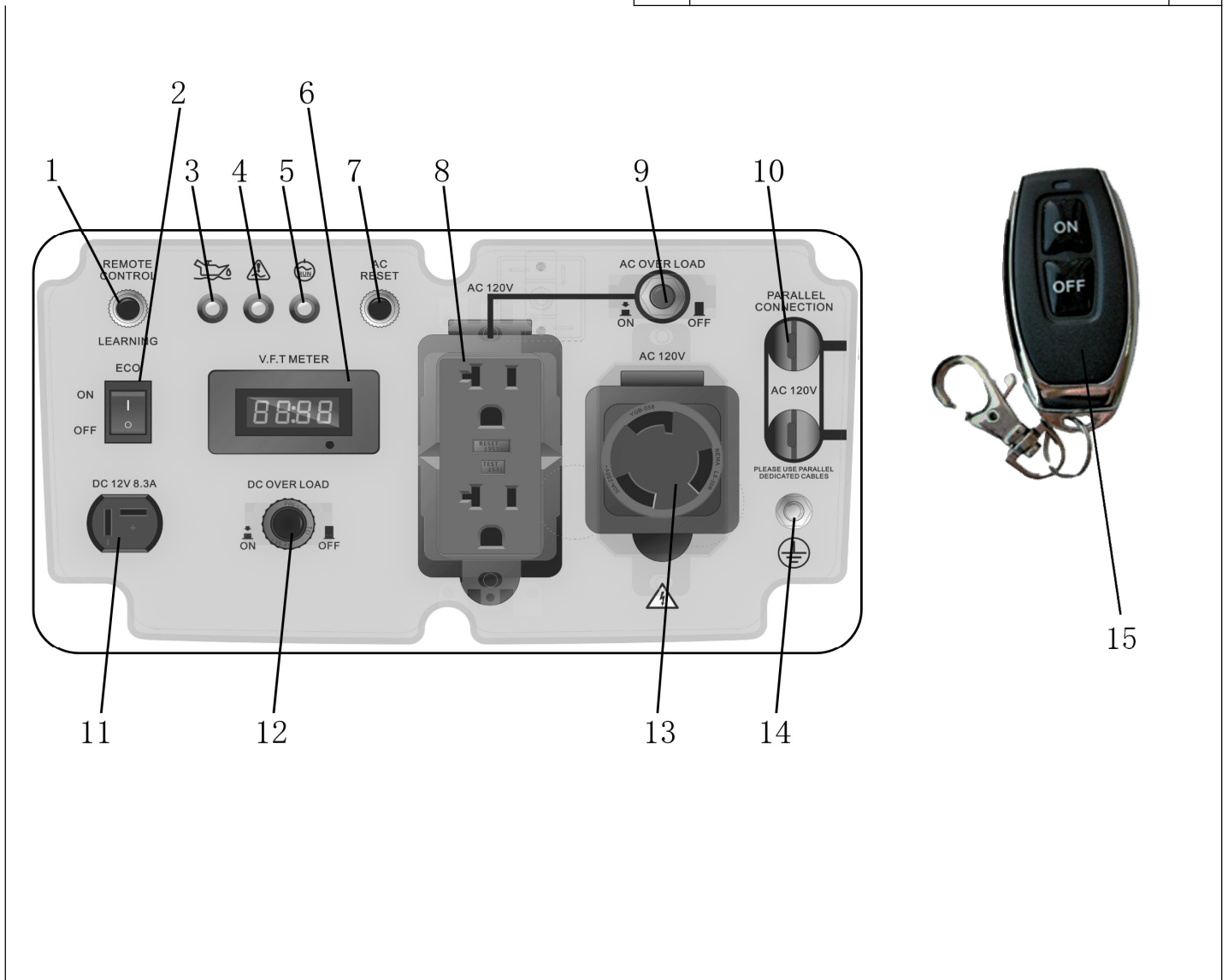
Inverter Generator Spare Parts List

Control Panel Assembly

(See Figure 8)

Figure 8 - Control Panel Layout

| Ref # | Part Number | Qty | Ref # | Part Number | Qty |
|-------|-----------------------|-----|-------|--------------------------------------|-----|
| 1 | Remote Control switch | 1 | 8 | GFCI 120V - 20A AC Duplex receptacle | 1 |
| 2 | ECO switch | 1 | 9 | AC Overload button | 1 |
| 3 | Low Oil indicator | 1 | 10 | Parallel connection terminals | 1 |
| 4 | Overload indicator | 1 | 11 | 12V 8.3A DC receptacle | 1 |
| 5 | AC indicator | 1 | 12 | DC Overload button | 1 |
| 6 | VFT Meter | 1 | 13 | 120V 3-prong twist lock receptacle | 1 |
| 7 | AC Reset | 1 | 14 | Ground Terminal | 1 |
| | | | 15 | Remote start - key ring fob | 1 |



Parts Breakdown | BNG4000iE Inverter Generator

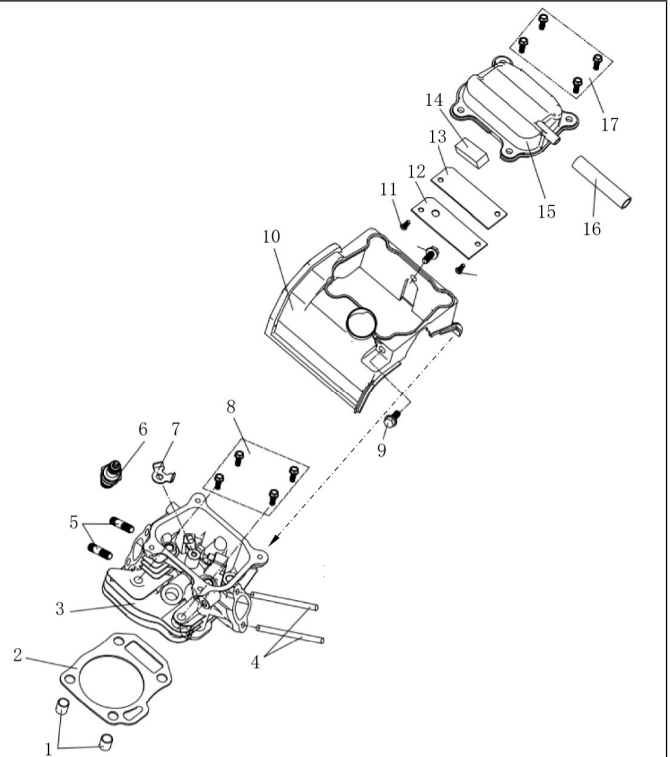
H225iD Engine Spare Parts List (BNG4000iE)

Cylinder Head

(See Figure 9)

Figure 9 - Cylinder Head

| Ref # | Part Number | Description | Qty |
|-------|---------------------|---------------------------------------|-----|
| 1 | 93307-1016-00000 | Dowel pin | 2 |
| 2 | 11131-E030020-00000 | Cylinder Head Sealing Pad Combination | 1 |
| 3 | 11140-E200020-00000 | Cylinder Head Combination | 1 |
| 4 | 91707-E200010-00000 | Air Intake Double-headed Bolts | 2 |
| 5 | 91708-E010010-00000 | Exhaust Double Headed Bolt | 2 |
| 6 | 31110-E010010-00000 | Sparkplug | 1 |
| 7 | 17301-E200010-00000 | Rocker Shaft Baffle | 1 |
| 8 | 91718-E010010-00000 | Cylinder Head bolt | 4 |
| 9 | 91101-0616-00100 | Flange bolt 6×16 | 2 |
| 10 | 26235-E200010-00000 | Cylinder Head Cowl | 1 |
| 11 | 91101-0510-00100 | Flange bolt | 2 |
| 12 | 11431-E200010-00000 | Breath Cover Plate | 1 |
| 13 | 11432-E200010-00000 | Air Groove Cover Plate Gasket | 1 |
| 14 | 19211-E200010-00000 | Oil Filter | 1 |
| 15 | 11410-E200010-00000 | Cover Comp Head | 1 |
| 16 | 22004-E200010-00000 | Waste Trachea | 1 |
| 17 | 91101-0620-00100 | Flange bolt 6×20 | 4 |

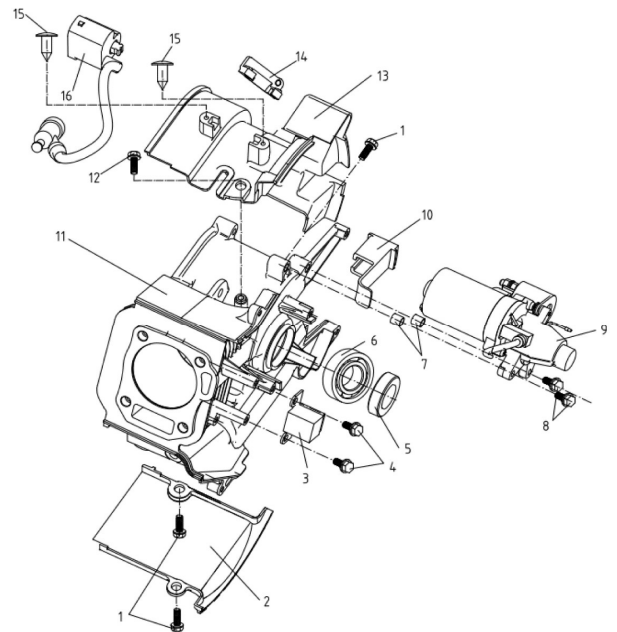


Starter Motor & Crankcase

(See Figure 10)

Figure 10 - Starter Motor & Crankcase

| Ref # | Part Number | Description | Qty |
|-------|---------------------|---|-----|
| 1 | 91101-0610-00100 | Flange bolt 6×10 | 3 |
| 2 | 26232-E200010-00000 | Air Deflector housing - bottom | 1 |
| 3 | 31340-E180010-00000 | Trigger combination | 1 |
| 4 | 91101-0612-00100 | Flange bolt 6×12 | 2 |
| 5 | 90001-E010010-00000 | Oil seal | 1 |
| 6 | 94100-6205-P5301 | Radial ball bearing | 1 |
| 7 | 93307-0810-00000 | Dowel pin | 2 |
| 8 | 91101-0625-00100 | Flange bolt 6×25 | 2 |
| 9 | 31500-E060010-00000 | Starter motor | 1 |
| 10 | 13006-E200010-00000 | Motor outlet baffle | 1 |
| 11 | 13310-E200010-00000 | Crankshaft body housing | 1 |
| 12 | 91101-0610-00100 | Flange bolt 6×10 | 1 |
| 13 | 26231-E200010-00000 | Air Deflector housing - top | 1 |
| 14 | 13008-E140010-00000 | Installation bracket For ignition control | 1 |
| 15 | 91206-4813-00100 | Tapping screw | 2 |
| 16 | 31300-E200010-00000 | Firewire Ring parts | 1 |



Parts Breakdown | BNG4000iE Inverter Generator

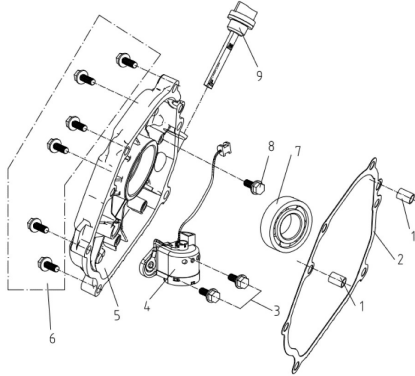
H225iD Engine Spare Parts List (BNG4000iE)

Crankcase Cover

(See Figure 11)

Figure 11 - Crankcase Cover

| Ref # | Part Number | Description | Qty |
|-------|---------------------|-------------------------|-----|
| 1 | 93307-0814-00000 | Dowel pin | 2 |
| 2 | 13001-E200010-00000 | Crankcase gasket | 1 |
| 3 | 91101-0616-0010 | Flange bolt 6×16 | 2 |
| 4 | 31080-E200010-00000 | Oil sensor | 1 |
| 5 | 13410-E200010-00000 | Crankcase cover | 1 |
| 6 | 91101-0832-00100 | Flange bolt 8×32 | 6 |
| 7 | 94100-6205-P5301 | Radial ball bearing | 1 |
| 8 | 91101-0610-0010 | Flange bolt 6×10 | 1 |
| 9 | 19010-E200010-C0100 | Oil measuring stick/cap | 1 |

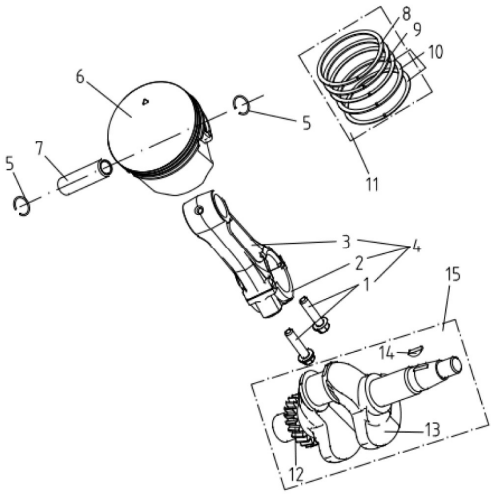


Crankshaft, Piston & Connecting Rod

(See Figure 12)

Figure 12 - Crankshaft, Piston & Connecting Rod

| Ref # | Part Number | Description | Qty |
|-------|---------------------|---------------------------|-----|
| 1 | 91710-E010010 | Connecting Rod Bolt | 2 |
| 2 | 15012-E010010-00000 | Connecting Rod Cap | 1 |
| 3 | 15011-E010010-00000 | Connecting Rod | 1 |
| 4 | 15010-E010010-00000 | Connecting Rod Assembly | 1 |
| 5 | 15122-E010010-00000 | Piston Pin Clip | 2 |
| 6 | 15100-E140020-00010 | Piston | 1 |
| 7 | 15121-E010010-00000 | Wrist Pin | 1 |
| 8 | 15201-E140010 | Top Ring | 1 |
| 9 | 15202-E140010 | Compression Ring | 1 |
| 10 | 15210-E140010 | Oil Ring Assembly | 1 |
| 11 | 15100-E140020-00010 | Piston Ring | 1 |
| 12 | 15313-E200010 | Timing Gear | 1 |
| 13 | 15311-E200010-00000 | Crankshaft | 1 |
| 14 | 93404-E010010-00000 | Key | 1 |
| 15 | 15310-E200010-00000 | Crankshaft Parts Assembly | 1 |

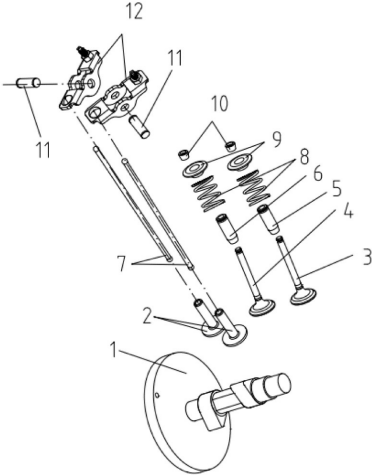


Valve & Camshaft Assembly

(See Figure 13)

Figure 13 - Valve & Camshaft Assembly

| Ref # | Part Number | Description | Qty |
|-------|---------------------|-----------------------|-----|
| 1 | 17211-E140010-00000 | Camshaft Assembly | 1 |
| 2 | 17021-E020010-00000 | Valve Lifter (Tappet) | 2 |
| 3 | 11122-E200010-00000 | Exhaust Valve | 1 |
| 4 | 11121-E200010-00000 | Valve Intake | 1 |
| 5 | 11145-E200010 | Intake Valve Guide | 1 |
| 6 | 11146-E200010 | Exhaust Duct | 1 |
| 7 | 17010-E200010-00000 | Push Rod | 2 |
| 8 | 11102-E010010-00000 | Valve Spring | 2 |
| 9 | 11106-E200010-00000 | Valve Seat | 2 |
| 10 | 11108-E200010-00000 | Valve Key | 4 |
| 11 | 17341-E200010-00000 | Rocker Arm Shaft | 2 |
| 12 | 17310-E200010-00000 | Rocker Arm Assembly | 2 |



Parts Breakdown | BNG4000iE Inverter Generator

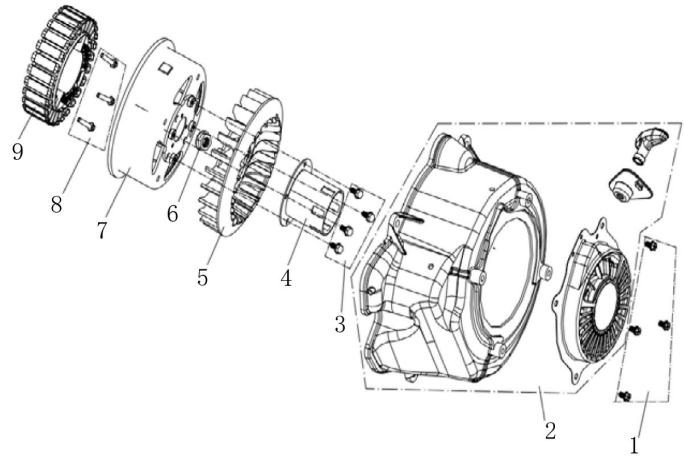
H225iD Engine Spare Parts List (BNG4000iE)

Pull Start Assembly

(See Figure 14)

Figure 14 - Pull Start Assembly

| Ref # | Part Number | Description | Qty |
|-------|---------------------|----------------------------------|-----|
| 1 | 91101-0614-00100 | Flange bolt 6×14 | 4 |
| 2 | 28100-E200010-D0300 | Manual start pull plate assembly | 1 |
| 3 | 91101-0616-00100 | Flange bolt 6×16 | 4 |
| 4 | 28001-E200010-00000 | Starter cup | 1 |
| 5 | 26201-E200010-00000 | Vane wheel | 1 |
| 6 | 92403-E010010-00000 | Flywheel nut | 1 |
| 7 | 33330-G160010-00000 | Rotor | 1 |
| 8 | 91718-E180010-00000 | Cylinder head bolt | 3 |
| 9 | 33310-G300010-00000 | Stator | 1 |

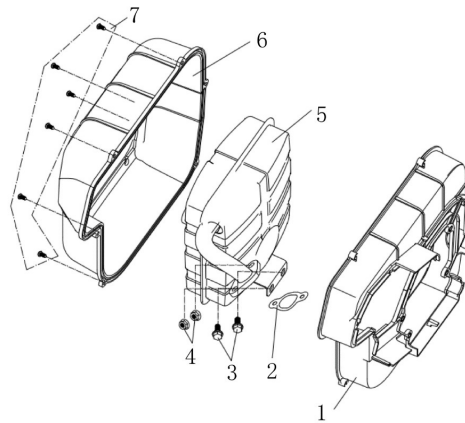


Muffler Assembly

(See Figure 15)

Figure 15 - Muffler Assembly

| Ref # | Part Number | Description | Qty |
|-------|---------------------|------------------------|-----|
| 1 | 26001-E200010-00000 | Muffler shield - front | 1 |
| 2 | 23001-E010020-00000 | Exhaust sealing pad | 1 |
| 3 | 91101-0612-00100 | Flange bolt 6×12 | 2 |
| 4 | 92101-0800-00100 | Hex nut | 2 |
| 5 | 23100-G300010-00000 | Muffler assembly | 1 |
| 6 | 26002-E200010-00000 | Muffler shield - rear | 1 |
| 7 | 91206-3513-00100 | Muffler bolt | 1 |

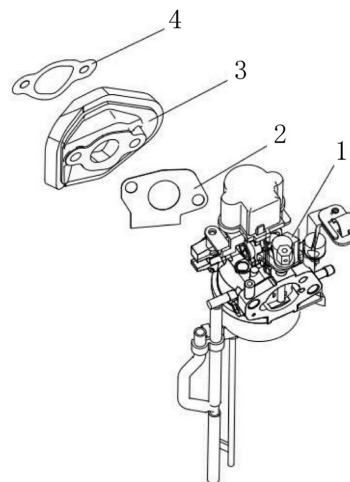


Carburetor

(See Figure 16)

Figure 16 - Carburetor

| Ref # | Part Number | Description | Qty |
|-------|---------------------|----------------------------------|-----|
| 1 | 25300-E200010-00010 | Carburetor | 1 |
| 2 | 22007-E010010-00000 | Carburetor Insulator Sealing Pad | 1 |
| 3 | 22006-E200010-00000 | Carburetor Spacer | 1 |
| 4 | 22002-E010010-00000 | Air Intake Sealing Pad | 1 |



Parts Breakdown | BNG4000iE Inverter Generator

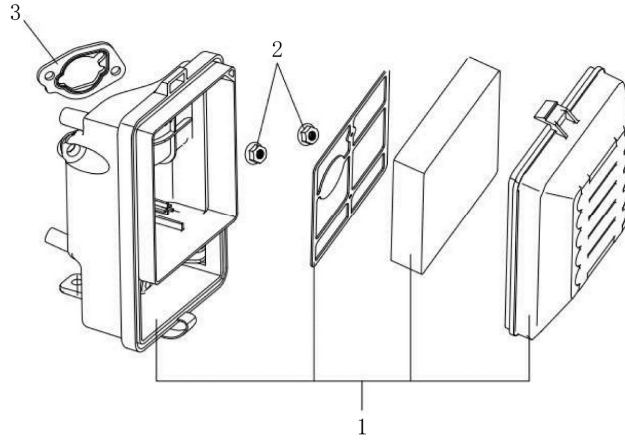
H225iD Engine Spare Parts List (BNG4000iE)

Air Cleaner

(See Figure 17)

Figure 17 - Air Cleaner

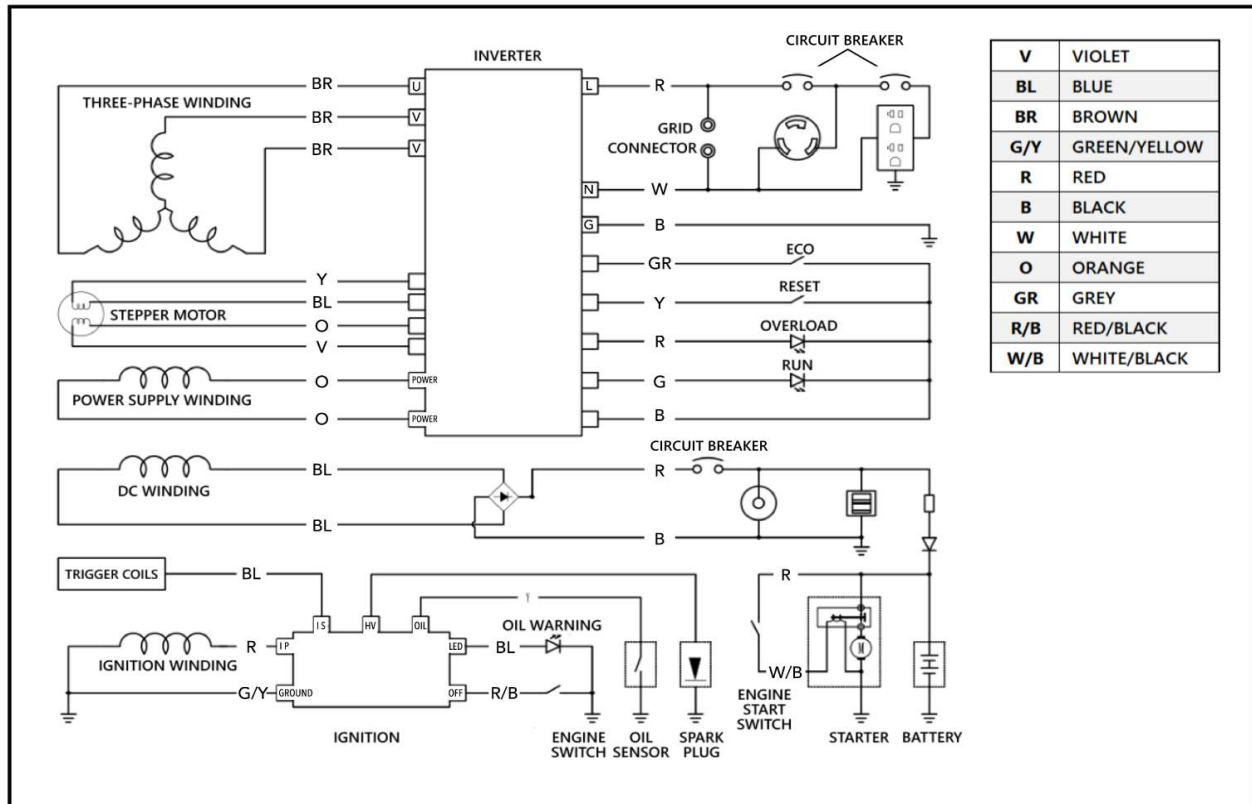
| Ref # | Part Number | Description | Qty |
|-------|---------------------|-------------------|-----|
| 1 | 22100-E200010-H0100 | Air cleaner | 1 |
| 2 | 92201-0600-00100 | Hex nut | 2 |
| 3 | 22001-E010030-00000 | Air filter gasket | 1 |



Electrical Wiring Diagram (BNG4000iE)

Figure 18 - Electrical Wiring Diagram

BNG4000iE Inverter Generator



BNG4000iE Specifications

Figure 19 - Specification Table

| | <i>Item</i> | BNG4000iE |
|--|-------------------------------|--|
| Gasoline Engine <i>HT225iD</i> | <i>Engine Type</i> | Single Head, Air Cooled, 4-stroke OHV 25° |
| | <i>Displacement (cc)</i> | 223 |
| | <i>Ignition</i> | CDI |
| | <i>Starting Type</i> | Electric (Remote) |
| | | Recoil Start |
| | <i>Fuel Tank Capacity</i> | 3.17 Gallons |
| <i>Engine Oil</i> | SAE 30 (0.55 Quarts) | |
| Generator Specifications | <i>Rated frequency (Hz)</i> | 60Hz |
| | <i>Phase</i> | Single |
| | <i>Rated AC power</i> | 120V - 20A |
| | <i>Rated DC power</i> | 12V - 8.3A |
| | <i>Rated output power</i> | 3500W (3.5kW) |
| | <i>Maximum output power</i> | 4000W (4.0kW) |
| | <i>Noise Level (50% Load)</i> | 64dBA @ 23" |
| | <i>Unit Weight</i> | 84.9 lbs (38.5 kg) |
| | <i>Unit Dimensions</i> | 23.5" x 17.3" x 20.3" (595 x 440 x 515 mm) |