



BN Products-USA™

A DIVISION OF BENNER-NAWMAN, INC.

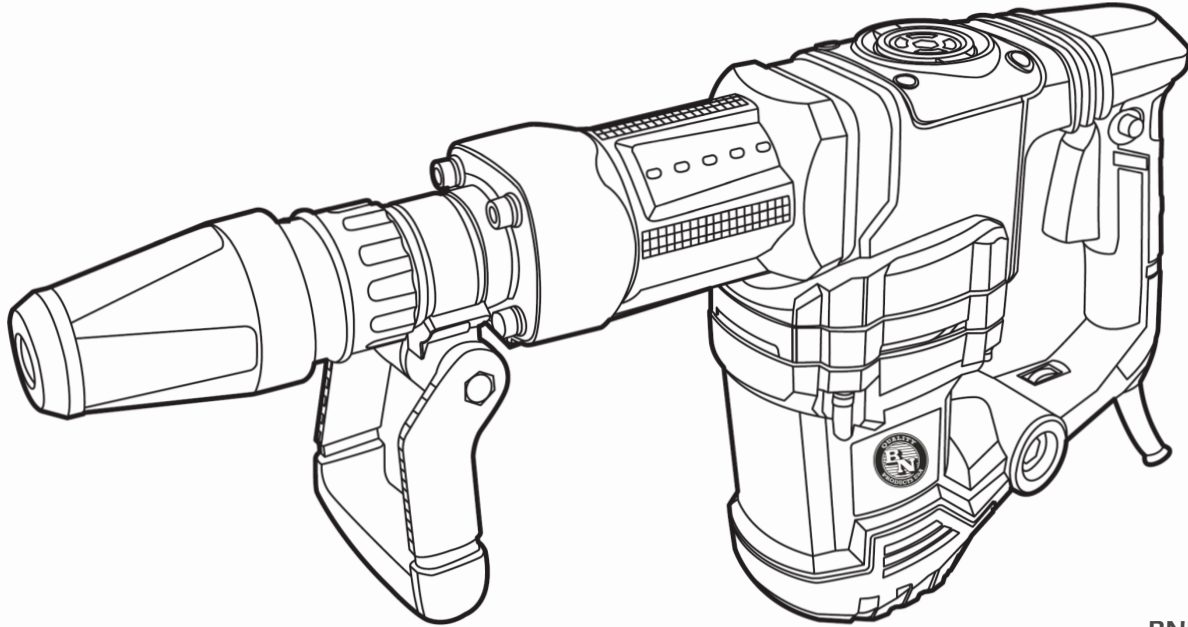
WWW.BNPRODUCTS.COM

BNH-1145 DEMOLITION HAMMER

BN Customer Service (800) 992-3833

1500 Watt | SDS-Max Chuck | 45J Impact | 900-2100 BPM

Demolition Hammer



BNH-1145
Demolition Hammer

Specifications

| | |
|-------------------------|----------------------------|
| Description | 1500W Demolition Hammer |
| Power | 120V / 60Hz |
| Impact Power | 45 Joules / 33.2 ft-pounds |
| Impact Rate | 900-2100 BPM |
| Chuck / Bit lock | SDS-Max |
| Unit Weight | 24.3 lbs. (11 kg) |

BN Products-USA™

3450 N Sabin Brown Road | Wickenburg, AZ 85390

(800) 992-3833 | www.BNProducts.com

**PRODUCT
PARTS GUIDE**



BN Products-USA™

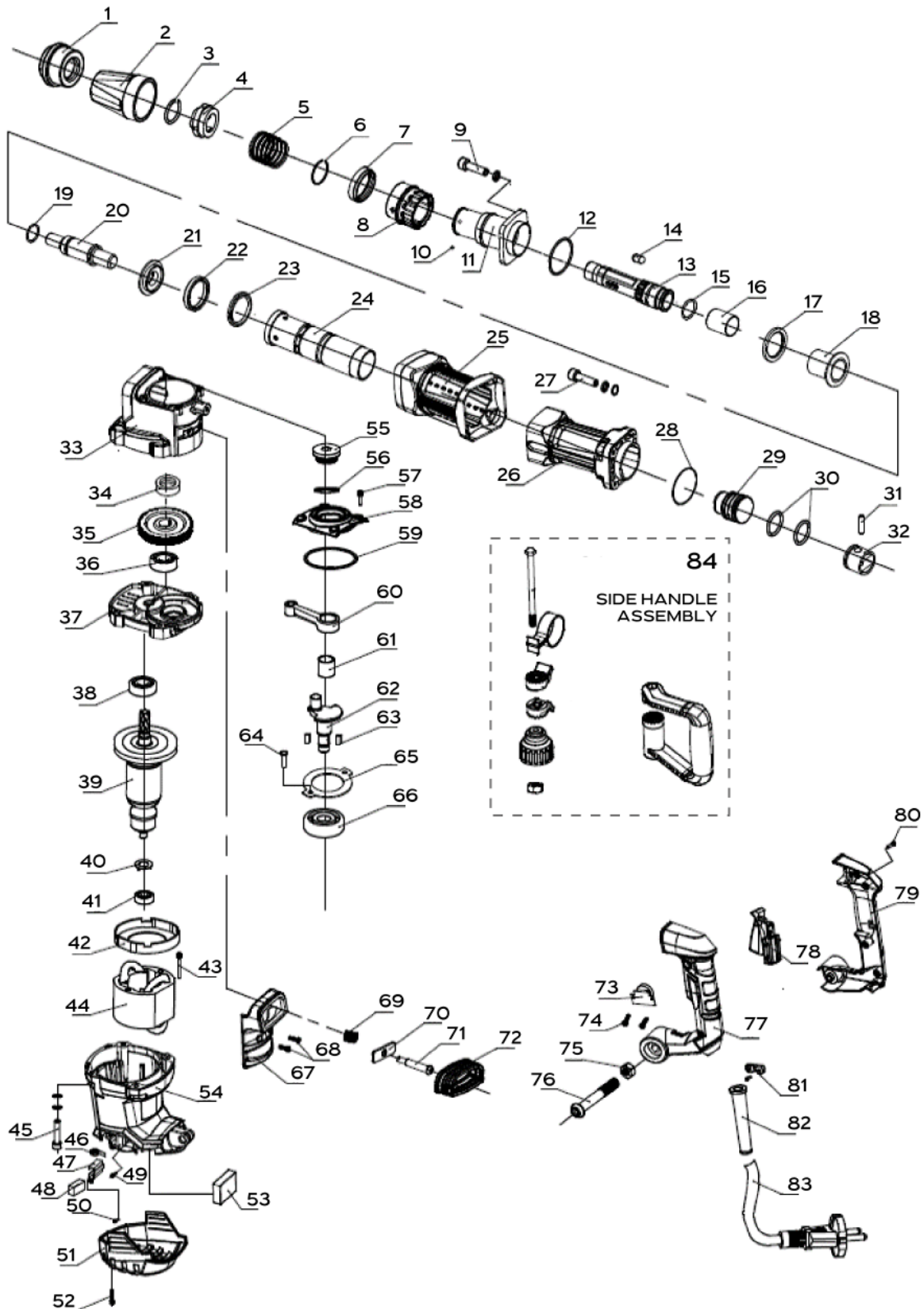
A DIVISION OF BENNER-NAWMAN, INC.

WWW.BNPRODUCTS.COM

BNH-1145 DEMOLITION HAMMER

BN Customer Service (800) 992-3833

BNH-1145 DEMOLITION HAMMER (EXPLODED VIEW)



**BN Products-USA™**

A DIVISION OF BENNER-NAWMAN, INC.

WWW.BNPRODUCTS.COM

BNH-1145 DEMOLITION HAMMER

BN Customer Service (800) 992-3833

| No. | Part Number | Part Name | Qty | No. | Part Number | Part Name | Qty |
|-----|-------------|----------------------------|-----|-----|-------------|----------------------------|-----|
| 1 | 101717 | Hammer rod protector | 1 | 32 | 101747 | Piston | 1 |
| 2 | 101718 | Protective lining | 1 | 33 | 101748 | Gear Housing | 1 |
| 3 | 101719 | Φ27x2 Retaining Ring | 1 | 34 | 101749 | Gear | 1 |
| 4 | 101720 | Lock sleeve | 1 | 35 | 101750 | Gear lining | 1 |
| 5 | 101721 | Protective lining spring | 1 | 36 | 101751 | 6002 Ball Bearing | 1 |
| 6 | 101722 | Φ42x2 Retaining Ring | 1 | 37 | 101752 | Middle Cover | 1 |
| 7 | 101723 | Lock sleeve | 1 | 38 | 101753 | 6203 Ball Bearing | 1 |
| 8 | 101724 | Support ring | 1 | 39 | 101754 | Armature | 1 |
| 9 | 101725 | Hex. Socket Bolt set M8×35 | 4 | 40 | 101755 | Magnetic ring | 1 |
| 10 | 101726 | Φ6.3 Steel Ball | 4 | 41 | 101756 | 6201 Ball Bearing | 1 |
| 11 | 101727 | Flange cover | 1 | 42 | 101757 | Fan Guide | 1 |
| 12 | 101728 | O-RingΦ54.5X2 | 1 | 43 | 101758 | ST5x60 Tapping Screw 5*60 | 2 |
| 13 | 101729 | Hammer rod sleeve | 1 | 44 | 101759 | Stator | 1 |
| 14 | 101730 | Round head pin 8x19.25 | 2 | 45 | 101760 | Hex. Socket Bolt set M6×50 | 4 |
| 15 | 101731 | O-RingΦ31.5X2 | 1 | 46 | 101761 | Helical spring | 2 |
| 16 | 101732 | Rubber Cover | 1 | 47 | 101762 | Carbon Brush bracket | 2 |
| 17 | 101733 | Buffer washer | 1 | 48 | 101763 | Carbon Brush | 2 |
| 18 | 101734 | Hammer rod front sleeve | 1 | 49 | 101764 | Tapping screw 4X8 | 2 |
| 19 | 101735 | O-RingΦ26.4X2.1 | 1 | 50 | 101765 | ST3×10 slotted crews | 2 |
| 20 | 101736 | Impact Pin | 1 | 51 | 101766 | Back Cover | 1 |
| 21 | 101737 | Hammer rod back sleeve | 1 | 52 | 101767 | ST4×16 slotted crews | 2 |
| 22 | 101738 | Buffer washer | 1 | 53 | 101768 | Constant power device | 1 |
| 23 | 101739 | Cylinder Liner | 1 | 54 | 101769 | Housing Ass'y | 1 |
| 24 | 101740 | Cylinder | 1 | 55 | 101770 | Oil Tank Cover | 1 |
| 25 | 101741 | Rubber protective sleeve | 1 | 56 | 101771 | Oil Tank Cover ring | 1 |
| 26 | 101742 | Front cover | 1 | 57 | 101772 | Hex. Socket Bolt set M4×16 | 4 |
| 27 | 101743 | Hex. Socket Bolt set M6×30 | 4 | 58 | 101773 | Oil Tank Cover base | 1 |
| 28 | 101728 | O-RingΦ54.5X2 | 1 | 59 | 101774 | O-RingΦ75X2.4 | 1 |
| 29 | 101744 | Impact piston | 1 | 60 | 101775 | Connecting Rod Ass'y | 1 |
| 30 | 101745 | O-RingΦ44.5X3.5 | 2 | 61 | 101776 | Needle Bearing NK14/16-1 | 1 |
| 31 | 101746 | Piston Pin | 1 | 62 | 101777 | Crank shaft | 1 |



BN Products-USA™

A DIVISION OF BENNER-NAWMAN, INC.

WWW.BNPRODUCTS.COM

BNH-1145 DEMOLITION HAMMER

BN Customer Service (800) 992-3833

| No. | Part Number | Part Name | Qty |
|--|---------------------------------|--|-----|
| 63 | 101778 | 4x4x12 Palt Key | 1 |
| 64 | 101779 | Cross recessed pan head tapping screws M5x20 | 2 |
| 65 | 101780 | 6204 Bearing Washer | 1 |
| 66 | 101781 | 6204 Ball Bearing | 1 |
| 67 | 101782 | Main Handle Seat | 1 |
| 68 | 101783 | Hex. Socket Bolt set M4x12 | 2 |
| 69 | 101784 | Shock Absorption Spring | 1 |
| 70 | 101785 | Spring Rack | 1 |
| 71 | 101786 | Shock Absorption screw | 1 |
| 72 | 101787 | Shock Absorption Jacket | 1 |
| 73 | 101788 | Speed Adjuster | 1 |
| 74 | 101765 | ST3x10 slotted crews | 2 |
| 75 | 101789 | Hex. Socket Bolt M8x40 | 1 |
| 76 | 101790 | Nut M8 | 1 |
| 77 | 101791 | Main Handle Cover | 1 |
| 78 | 101792 | Switch | 1 |
| 79 | 101793 | Main Handle | 1 |
| 80 | 101794 | ST4x16 slotted crews | 4 |
| 81 | 101795 | Cord Clip | 1 |
| 82 | 101796 | Cord Armor | 1 |
| 83 | 101797 | Cord | 1 |
| 84 | *Side Handle Assembly 101803 | Hexagon head bolt M8x150 | 1 |
| | | Fixed belt | 1 |
| | | Clamping | 1 |
| | | Function Knob | 2 |
| | | Nut M8 | 1 |
| | | Disk with gap | 1 |
| | | Side Handle | 1 |
| <i>*Replacement Assemblies are sold as a single item</i> | | | |

Parts pricing is available through
BN Products-USA™ Customer Service:

Telephone: **(800) 992-3833**

Email: mail@bnproducts.com