



BN PRODUCTS-USA, LLC.

Quality Construction Tools

Cutting Edge Saw™

BNCE-30-24V Parts Guide



The BNCE 30-24V Cutting Edge Saw™ is a 24v battery-operated multi-purpose cutting tool. The saw can easily cut #8 (1") rebar, threaded rod, chain, EMT conduit, copper pipe, steel rods and tubing, and much more. This tool features a three-position handle for reach and stability. The capacity of the opening is 1.18" (30 mm), with a shrouded blade for user-safety. This kit includes two (2) Lithium-Ion batteries and a battery charger.

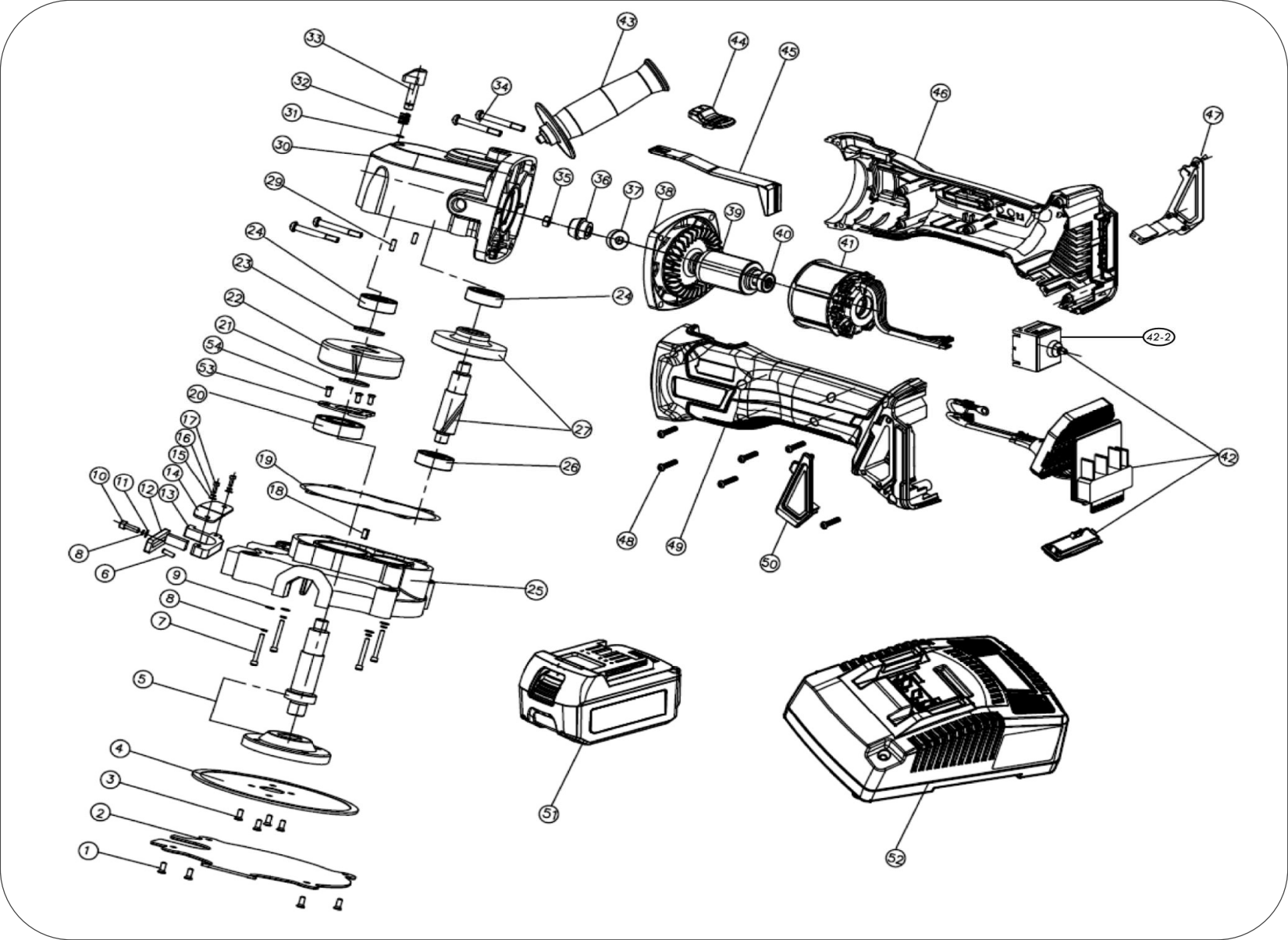
BN Products-USA™

3450 Sabin Brown Road | Wickenburg, AZ 85390
(800) 992-3833 | www.BNProducts.com

Rev 3/14/2023

BNCE-30-24V Cutting Edge Saw™ Exploded View

BN Products USA™ - Customer Service
(800) 992-3833



Parts Listing for BNCE-30-24V Cutting Edge Saw™

#	Part Number	Description	Qty	#	Part Number	Description	Qty
1	BNCEP1-71	HEXAGON SOCKET SCREW (M5X14)	4	30	BNCEP24V-30	ALUMINUM GEAR BOX HOUSING	1
2	BNCEP30-02	BOTTOM PLATE GUARD (BNCE-30)	1	31	BNCEP-31	STEEL RING (6mm)	1
3	BNCEP1-73	HEXAGON SOCKET SCREW (M5X8)	4	32	BNCEP-32	SPRING FOR LOCK BUTTON	1
4	RB-BNCE-30	BLADE, REPLACEMENT (BNCE-30)	1	33	BNCEP-33	BLADE LOCKING BUTTONS	1
5	BNCEP1-75	BLADE FLANGE AND SPINDLE ASSEMBLY	1	34	BNCEP24V-34	SCREW TAPPING PAN HEAD T15 TOR	4
6	BNCEP-19	PIN (A5X10)	1	35	BNCEP24V-35	NUT	1
7	BNCEP-07	HEX BOLT (M5X30)	4	36	BNCEP24V-36	BEVEL PINION	1
8	BNCEP-08	SPRING WASHER	5	37	BNCEP24V-37	BALL BEARING 608-2RS	1
9	BNCEP-09	PLAIN WASHER (5 mm)	4	38	BNCEP24V-38	DIAPHRAGM	1
10	BNCEP-20	HEX BOLT (M5X15)	1	40	BNCEP24V-40	BALL BEARING 696-2RS	1
11	BNCEP-66	PLATE WASHER (5mm)	1	39	BNCEP24V-39	Rotor	1
12	BNCEP30-18	MOVEABLE CUTTING GUIDE BLOCK	1	41	BNCEP24V-41	STATOR	1
13	BNCEP30-17	FIXED CUTTING GUIDE BLOCK (30)	1	42	BNCEP24V-42	*BNCEP24V-42 Power Switch Assembly	1
14	BNCEP30-16	LEFT/ RIGHT RUBBER PLATE (30)	2	42-2	**BNCEP24V-42-2	ON/OFF POWER SWITCH	1
15	BNCEP-22	PLAIN WASHER (4mm)	2	43	BNCEP-67	3 - POSITION SIDE HANDLE	1
16	BNCEP-23	RETAINER WASHER (4mm)	2	44	BNCEP24V-44	*BNCEP24V-44A Button Assembly	1
17	BNCEP-24	CAP BOLT (M4X20)	2	45	BNCEP24V-45	POLE SWITCH	1
18	BNCEP-78	FLAT KEY - 5X5X14	1	46	BNCEP24V-46	*BNCEP24V-46A Housing Assembly	1
19	BNCEP-12	GASKET SEAL	1	49	BNCEP24V-49	LEFT HOUSING	1
20	BNCEP-25	BALL BEARING (6002-2RS)	1	50	BNCEP24V-50	*BNCEP24V-47A Dust Protection Assembly	1
21	BNCEP-26	SPACER	1	47	BNCEP24V-47	DUST PROTECTION-RIGHT	1
22	BNCEP30-25	BIG GEAR	1	48	BNCEP24V-48	SCREW TAPPING PAN HEAD T10 TOR	6
23	BNCEP-28	RETAINING RING	1	51	BNCE-24VLI	RECHARGEABLE BATTERY 24V	2
24	BNCEP24V-24	BALL BEARING (608-2Z)	2	52	BNCE-24VCHGR	CHARGER, BNCE-24V CORDLESS	1
25	BNCEP30-10	ALUMINUM HOUSING (BNCE-30)	1	53	BNCEP30-21	BEARING PLATE	1
26	BNCEP24V-26	BALL BEARING (628-2Z)	1	54	BNCEP30-22	CROSS RECESSED COUNTERSUNK HEAD SCREW M4 x 10	3
27	BNCEP24V-27/28	BIG BEVEL GEAR ASSEMBLY	1		BNCEP-CASE-30-24V	CASE, BNCE-30-24V BMC	1
29	BNCEP-29	PIN (A5X16)	1		BNCEP-68	CHIP COLLECTOR BAG	1

*Replacement Assemblies defined on Parts List are sold as a single unit

**Sub-assembly part also available as an individual part