



BN Products-USA™

A DIVISION OF BENNER-NAWMAN, INC.

WWW.BNPRODUCTS.COM

BNCE-45-24V Cutting Edge Saw™

Customer Service: (800) 992-3833

mail@bnproducts.com

Multi-Material Saw | #10 Rebar | Tubing | Threaded Rod | 1-5/8" Strut

THE CUTTING EDGE SAW™

BNCE SERIES



**BNCE-45-24V
CUTTING EDGE SAW™**

The BNCE-45-24V is a cordless version of the lightweight and compact multi-material Cutting Edge Saw™. This low-RPM, cold-cutting saw is ideal for cutting Grade 60 Rebar (up to #10), rod, pipe, and 1-5/8" strut, and much more. The Cutting Edge Saw™ is ideal for cutting ferrous and non-ferrous metals and other materials



Specifications

Voltage/Amperage	24V / Brushless Motor
Watts	1100W
Blade (2 ea.)	6.5" (165 mm) Tungsten Carbide Tipped
No Load RPM	1200
Depth of Cut	1-7/8" (47.6 mm)
Length x Width x Height	19" x 8" x 7"
Net Tool Weight	10.3 lbs. (4.7 kg)
Accessories Included:	(1) Protective case
	(2) RB-BNCE-45 standard replacement blades
	(1) Chip collection attachment
	(2) 24V batteries with (1) charger

Blades

- **RB-BNCE-45:** BNCE-45 Series Cutting Edge Saw™ "STANDARD" TCT Replacement Blade (165 mm) for cutting ferrous and non-ferrous materials (Rebar, Tubing, All-Thread, and general usage)
- **RB-BNCE-45S:** Replacement Blade for cutting strut up to 1-5/8" (165 mm)

Ordering and Assistance

Contact Customer Service at:

(800) 992-3833

BN Products-USA™

3450 N. Sabin Brown Road | Wickenburg, AZ 85390

(800) 992-3833 | www.BNProducts.com

**PRODUCT
PARTS GUIDE**



BNProducts-USA™

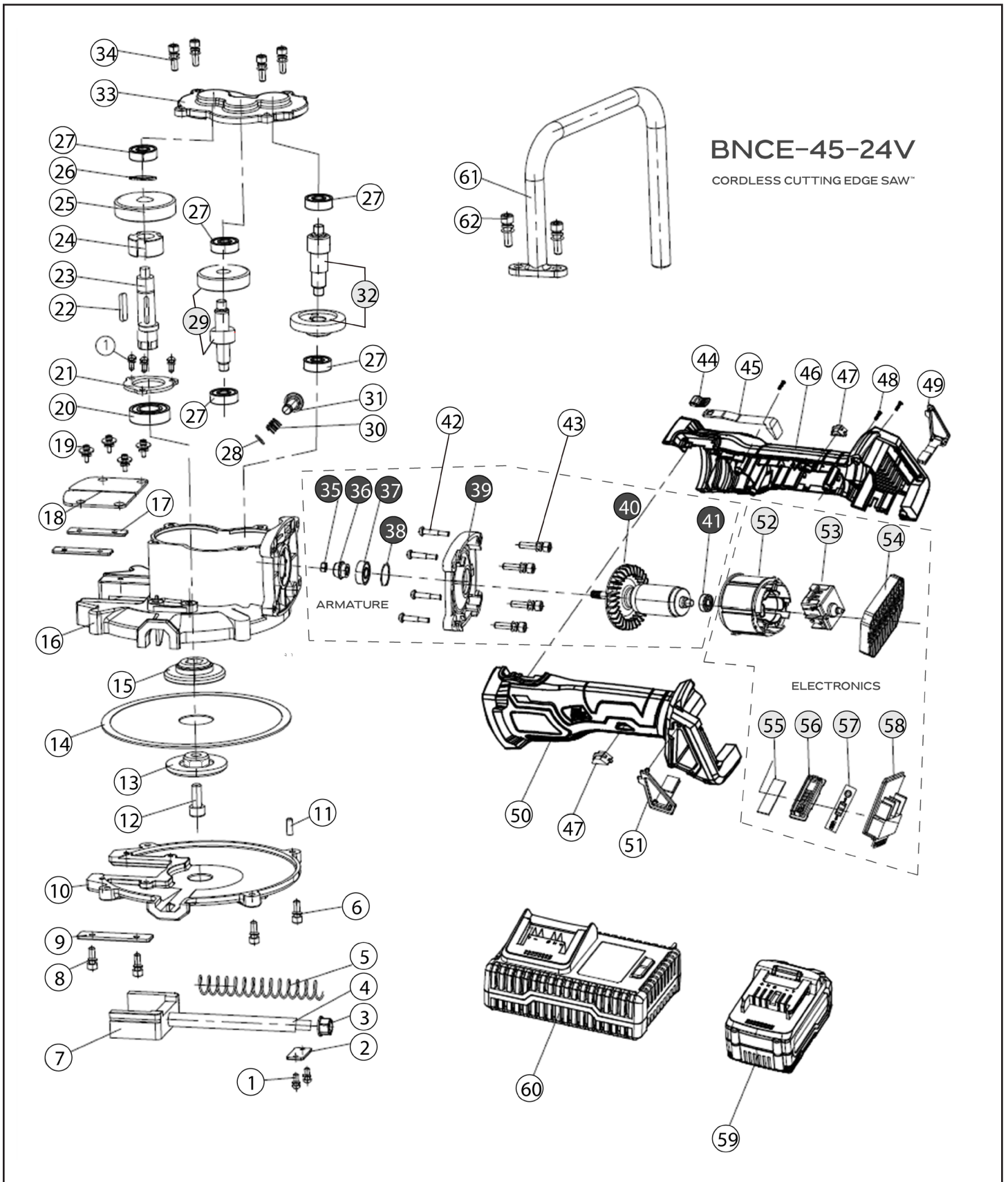
A DIVISION OF BENNER-NAWMAN, INC.

WWW.BNPRODUCTS.COM

BNCE-45-24V Cutting Edge Saw™

Customer Service: (800) 992-3833

mail@bnproducts.com





BNProducts-USA™

A DIVISION OF BENNER-NAWMAN, INC.

WWW.BNPRODUCTS.COM

BNCE-45-24V Cutting Edge Saw™

Customer Service: (800) 992-3833

mail@bnproducts.com

#	Part #	Assembly #	Description	QTY
1	102560		Screw With Spring Washer M4*12	5
2	102561		Guide Post Plate	1
3	102562		Stop Nut M8	1
4	102563		Guide Post	1
5	102564		Guide Post Spring	1
6	102565		Bolt With Spring Washer M5X16	4
7	102566		Sliding Block	1
8	102567		Bolt With Spring Washer M5X12	4
9	102568		Guide Plate	2
10	102569		Lower Cover Of Gear Box	1
11	102570		Pin A6X16	2
12	102571		Bolt M8x29 (class 12.9)	1
13	102661		Outer Blade (Hex) Flange	1
14	RB-BNCE-45		Blade	2
15	102662		Inner Blade (Hex) Flange	1
16	102574		Gear Box	1
17	102575		Stiffener Plate	2
18	102576		Left and Right Rubber Plate	2
19	102577		Bolt With Spring Washer& Big Flat Washer M5X16	4
20	102580		Ball Bearing 6003-2RS	1
21	102581		Bearing plate	1
22	102582		Flat Key-5x5x25	1
23	102583		Spindle	1
24	102584		Stop Sleeve	1
25	102585		No.3 Gear	1
26	102586		Circlips For Shaft -15	1
27	BNCEP24V-26		Ball Bearing 628-2Z	5
28	102588		Circlips 6	1
29	102590	102590	No.2 Gear Assembly	1
30	102591		Spring for Lock Button	1
31	102592		Locking Button	1
32	102631	102631	Ring Gear 35 Tooth w/Shaft	1
33	102595		Gear Box Top Cover	1
34	102596		Bolt With Spring Washer & Flat Washer M5X16	4
35	BNCEP24V-35	ARMATURE	Nut M6	1
36	BNCEP24V-36	ASSEMBLY	Pinion	1
37	BNCEP24V-37		Ball Bearing 608-2RS	1
38	102634	*102599	O-Ring 22*1.6	1
39	102636		Armature Support A1	1
40	102637	#35-41	Armature 24V Brushless	1
41	BNCEP24V-40		Ball Bearing 696-2RS	1

*Replacement Assemblies defined in this Parts Guide are sold as a single unit



BN Products-USA™

A DIVISION OF BENNER-NAWMAN, INC.

WWW.BNPRODUCTS.COM

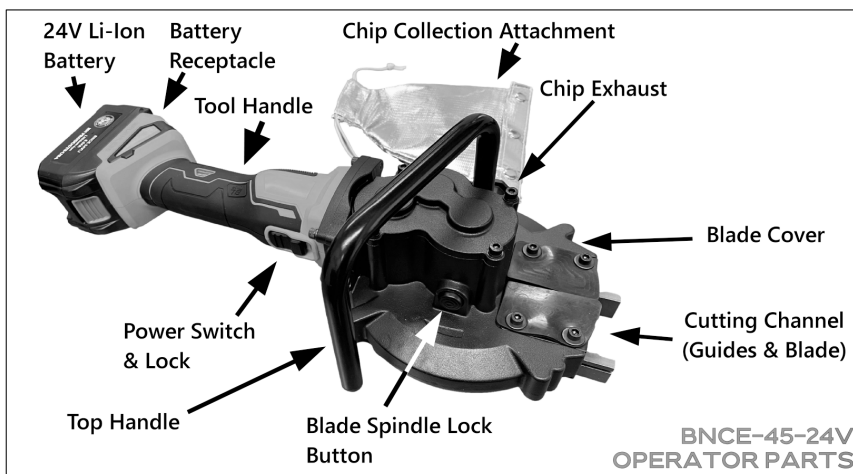
BNCE-45-24V Cutting Edge Saw™

Customer Service: (800) 992-3833

mail@bnproducts.com

#	Part #	Assembly #	Description	QTY
42	102635		Pan Head Tapping Screws ST3 9x20	4
43	102603		Bolt With Spring Washer&Flat Washer M5X20	4
44	102642		Switch Button	1
45	102643		Pole Switch	1
46	102644		Right Housing	1
47	102645		Lampshade	2
48	102646		Pan Head Tapping Screws ST2.9X14	6
49	102647		Dust Protection-Right	1
50	102648		Left Housing	1
51	102649		Dust Protection-Left	1
52	102639	ELECTRONICS	Stator	1
53	BNCEP24V-42-2	ASSEMBLY	Switch	1
54	102641		Controller Board	1
55	102650	#102598	Battery light PCB	1
56	102651		Battery light Lampshade	1
57	102652	#52-58	Battery light Label	1
58	102653		Battery pin assembly	1
59	BNCE-24VLI-4C		Battery	2
60	BNCE-24CHGR-120C		Charger	1
61	102629		Front Handle	1
62	102630		Bolt With Spring Washer & Flat Washer M6X16	2

*Replacement Assemblies defined in this Parts Guide are sold as a single unit



BNCE-45-24V OPERATOR PARTS

Accessories

- BNCEP-68 - Chip Collection Attachment
- BNTB-20 - Heavy Duty Tool Bag



BN Products-USA™ Heavy Duty Tool Bag (BNTB-20)

BN Products-USA™

TOOLS FOR THE PROFESSIONAL CONTRACTOR

(800) 992-3833

WWW.BNPRODUCTS.COM