



**BN Products-USA™**

A DIVISION OF BENNER-NAWMAN, INC.

**BNCE-45-24V**

**Cutting Edge Saw™**

Customer Service: (800) 992-3833

Multi-Material Saw | #10 Rebar | Tubing | Threaded Rod | 1-5/8" Strut

# THE CUTTING EDGE SAW™

BNCE SERIES



**BNCE-45-24V**  
CUTTING EDGE SAW™

The BNCE-45-24V is a cordless version of the lightweight and compact multi-material Cutting Edge Saw™. This low-RPM, cold-cutting saw is ideal for cutting Grade 60 Rebar (up to #10), rod, pipe, and 1-5/8" strut, and much more. The Cutting Edge Saw™ is ideal for cutting ferrous and non-ferrous metals and other materials.



## Specifications

<b>Voltage/Amperage</b>	24V / Brushless Motor
<b>Watts</b>	1100W
<b>Blade (2 ea.)</b>	6.5" (165 mm) Tungsten Carbide Tipped
<b>No Load RPM</b>	1200
<b>Depth of Cut</b>	1-7/8" (47.6 mm)
<b>Length x Width x Height</b>	19" x 8" x 7"
<b>Net Tool Weight</b>	10.3 lbs. (4.7 kg)
<b>Accessories Included:</b>	(1) Protective case (2) RB-BNCE-45 standard replacement blades (1) Chip collection attachment (2) 24V batteries with (1) charger

## Replacement Blades

- **RB-BNCE-45:** BNCE-45 Series Cutting Edge Saw™ "STANDARD" TCT Replacement Blade (165 mm) for cutting ferrous and non-ferrous materials (Rebar, Tubing, All-Thread, and general usage)
- **RB-BNCE-45S:** Replacement Blade for cutting strut up to 1-5/8" (165 mm)

Ordering and Assistance  
Contact Customer Service at:

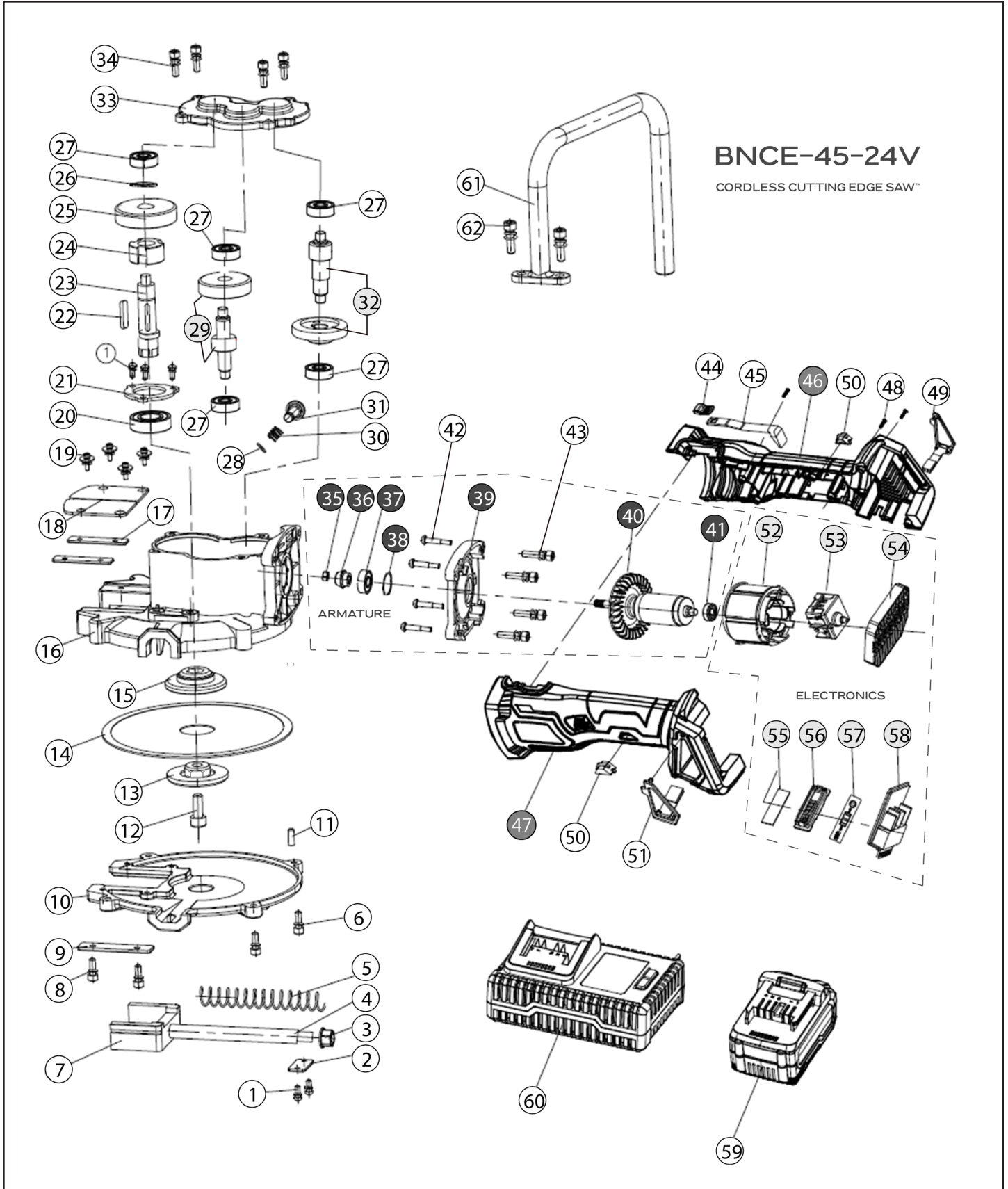
**(800) 992-3833**

**BN Products-USA™**

3450 N. Sabin Brown Road | Wickenburg, AZ 85390

(800) 992-3833 | [www.BNProducts.com](http://www.BNProducts.com)

**PRODUCT  
PARTS GUIDE**





**BNProducts-USA™**

A DIVISION OF BENNER-NAWMAN, INC.

**BNCE-45-24V**

**Cutting Edge Saw™**

Customer Service: (800) 992-3833

#	Part #	Assembly #	Description	QTY
1	102560		Screw With Spring Washer M4*12	5
2	102561		Guide Post Plate	1
3	102562		Stop Nut M8	1
4	102563		Guide Post	1
5	102564		Guide Post Spring	1
6	102565		Bolt With Spring Washer M5X16	4
7	102566		Sliding Block	1
8	102567		Bolt With Spring Washer M5X12	4
9	102568		Guide Plate	2
10	102569		Lower Cover Of Gear Box	1
11	102570		Pin A6X16	2
12	102571		Bolt M8x29 (class 12.9)	1
13	102661		Outer Blade (Hex) Flange	1
14	RB-BNCE-45		Blade	2
15	102662		Inner Blade (Hex) Flange	1
16	102574		Gear Box	1
17	102575		Stiffener Plate	2
18	102576		Left and Right Rubber Plate	2
19	102577		Bolt With Spring Washer& Big Flat Washer M5X16	4
20	102580		Ball Bearing 6003-2RS	1
21	102581		Bearing plate	1
22	102582		Flat Key-5x5x25	1
23	102583		Spindle	1
24	102584		Stop Sleeve	1
25	102585		No.3 Gear	1
26	102586		Circlips For Shaft -15	1
27	BNCEP24V-26		Ball Bearing 628-2Z	5
28	102588		Circlips 6	1
29	102590		No.2 Gear Assembly	1
30	102591		Spring for Lock Button	1
31	102592		Locking Button	1
32	102631		Ring Gear 35 Tooth w/Shaft	1
33	102595		Gear Box Top Cover	1
34	102596		Bolt With Spring Washer & Flat Washer M5X16	4
35	BNCEP24V-35	<b>ARMATURE</b>	Nut M6	1
36	BNCEP24V-36	<b>ASSEMBLY</b>	Pinion	1
37	BNCEP24V-37		Ball Bearing 608-2RS	1
38	102634	<b>*102599</b>	O-Ring 22*1.6	1
39	102636		Armature Support A1	1
40	102637	<b>#35-41</b>	Armature 24V Brushless	1
41	BNCEP24V-40		Ball Bearing 696-2RS	1

\*Replacement Assemblies defined in this Parts Guide are sold as a single unit



**BN Products-USA™**

A DIVISION OF BENNER-NAWMAN, INC.

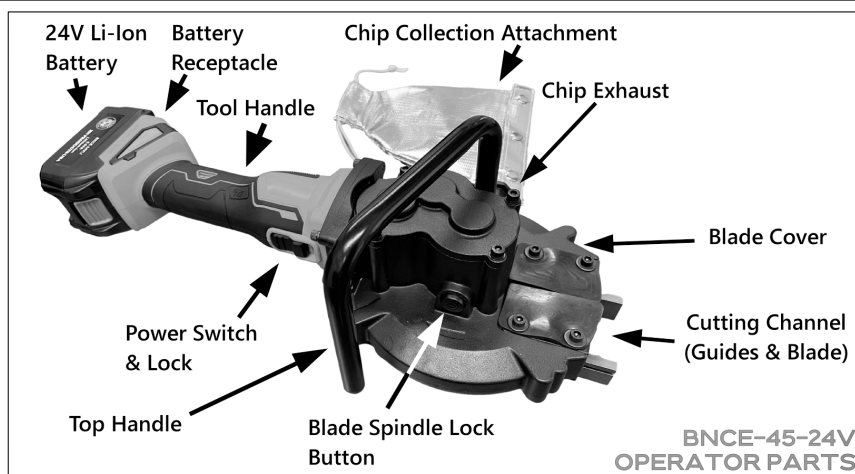
**BNCE-45-24V**

**Cutting Edge Saw™**

Customer Service: (800) 992-3833

#	Part #	Assembly #	Description	QTY
42	102635		Pan Head Tapping Screws ST3 9X20	4
43	102603		Bolt With Spring Washer&Flat Washer M5X20	4
44	102642		Switch Button	1
45	102643		Pole Switch	1
46	102644	<b>Housing Pair 102665</b>	Right Housing	1
47	102648		Left Housing	1
48	102646		Pan Head Tapping Screws ST2.9X14	6
49	102647		Dust Protection-Right	1
50	102645		Lampshade	2
51	102649		Dust Protection-Left	1
52	102639	<b>ELECTRONICS ASSEMBLY  #102598  #52-58</b>	Stator	1
53	BNCEP24V-42-2		Switch	1
54	102641		Controller Board	1
55	102650		Battery light PCB	1
56	102651		Battery light Lampshade	1
57	102652		Battery light Label	1
58	102653		Battery pin assembly	1
59	BNCE-24VLI-4C		Battery	2
60	BNCE-24CHGR-120C	Charger	1	
61	102629	Front Handle	1	
62	102630		Bolt With Spring Washer & Flat Washer M6X16	2

\*Replacement Assemblies defined in this Parts Guide are sold as a single unit



**BNCE-45-24V  
OPERATOR PARTS**

**Accessories**

- **BNCEP-68 - Chip Collection Attachment**
- **BNTB-20 - Heavy Duty Tool Bag**



BN Products-USA™ Heavy Duty Tool Bag (BNTB-20)

**BN Products-USA™**

TOOLS FOR THE PROFESSIONAL CONTRACTOR

(800) 992-3833

WWW.BNPRODUCTS.COM