



BN Products-USA™

A DIVISION OF BENNER-NAWMAN, INC.

WWW.BNPRODUCTS.COM

JMB-22 Electric Rebar Bender

BN Customer Service (800) 992-3833

115V / 15A | Bend up to #7 (7/8" - 22mm) Grade 60 Rebar | 0-180° Angle Bends | Two Angle Presets

Rebar Bender with Stand & Control Pedals



The JMB-22 is a table-style electric rebar bending machine. The unit ships with a heavy-duty stand for the machine, bending rollers, steel carrying case, tool kit, standard foot pedal control switch, and includes a one-year limited manufacturer warranty.

Rev-5/3-2026

BN Products-USA™

3450 N Sabin Brown Road | Wickenburg, AZ 85390

(800) 992-3833 | www.BNProducts.com

**PRODUCT
PARTS GUIDE**



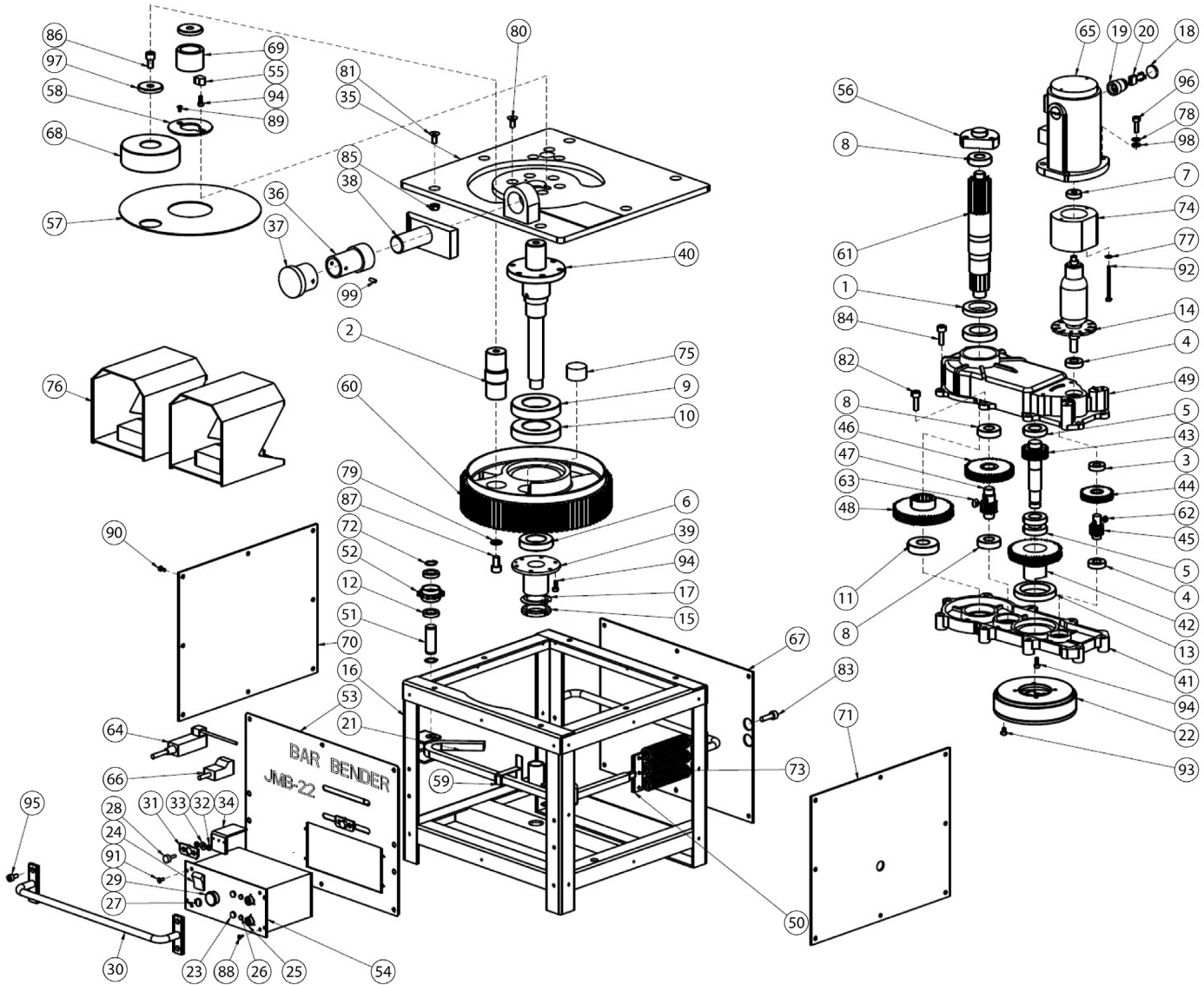
BN Products-USA™
A DIVISION OF BENNER-NAWMAN, INC.

WWW.BNPRODUCTS.COM

JMB-22 Electric Rebar Bender

BN Customer Service (800) 992-3833

JMB-22 Parts View



BN Products-USA™



BN Products-USA™

A DIVISION OF BENNER-NAWMAN, INC.

WWW.BNPRODUCTS.COM

JMB-22 Electric Rebar Bender

BN Customer Service (800) 992-3833

No.	Part No.	Qty	Description	No.	Part No.	Qty	Description
1	JMBP-00089	1	Oil Seal (JMB-22)	36	JMBP-00111	1	Adjustable Nut
2	JMBP-00090	1	Moving Roller Shaft	37	JMBP-00112	1	Modulator Handle
3	JMBP-00002	1	6002ZZ Bearing	38	JMBP-00031	1	Bar Stopper
4	JMBP-00003	2	6003ZZ Bearing	39	JMBP-00113	1	Bearing Housing
5	JMBP-00004	3	6005ZZ Bearing	40	JMBP-00114	1	Center Shaft (JMB-22)
6	JMBP-00005	2	6008ZZ Bearing	41	JMBP-00115	1	Gear Box Bottom Housing
7	JMBP-00091	1	6200DD Bearing	42	JMBP-00033	1	7th Gear (Clutch Gear)
8	JMBP-00009	3	6204ZZ Bearing	43	JMBP-00034	1	6th Gear (Clutch Shaft Gear)
9	JMBP-00092	1	6211DD Bearing	44	JMBP-00035	1	9th Gear (69phi Gear)
10	JMBP-00093	1	6211ZZ Bearing	45	JMBP-00036	1	8th Gear (28phi Gear)
11	JMBP-00010	1	6305ZZ Bearing	46	JMBP-00037	1	5th Gear (98phi Gear)
12	JMBP-00011	4	6804ZZ Bearing	47	JMBP-00038	1	4th Gear (34phi Gear)
13	JMBP-00012	1	6912ZZ Bearing	48	JMBP-00039	1	3rd Gear (123 Phi Gear)
14	JMBP-00013	1	Armature (JMB-22) (120V)	49	JMBP-00041	1	Gear Box Top Housing
15	JMBP-00095	1	AN08 Lock Nut	50	JMBP-00043	1	Spring Holder
16	JMBP-00096	1	Frame Body (JMB-22)	51	JMBP-00044	1	Shaft For Chain Gear
17	JMBP-00097	1	AN08 Washer	52	JMBP-00045	1	Chain Sprocket
18	JMBP-00016	2	Carbon Cap (JMB-22)	53	JMBP-00116	1	Front Panel
19	JMBP-00017	2	Carbon Holder (JMB-22)	54	JMBP-00117	1	Control Box Assembly
20	JMBP-00118	2	Carbon Brush (JMB-22)	55	JMBP-00054	1	Roller Stopper
21	JMBP-00101	1	Chain (JMB-22)	56	JMBP-00118	1	Bearing Housing
22	JMBP-00021	1	Clutch Assy. (JMB-22)	57	JMBP-00119	1	Top Dust Cover
23	JMBP-00171	2	Start Button	58	JMBP-00120	1	Top Dust Cover
24	JMBP-00022	1	On/Off Switch	59	JMBP-00055	1	Sensor Detector
25	JMBP-00024	2	Foot S/W Connector	60	JMBP-00129	1	Large Gear (1st Gear)
26	JMBP-00103	2	Led Light	61	JMBP-00128	1	2nd Gear (Center Shaft Gear)
27	JMBP-00025	1	Fuse	62	JMBP-00059	1	Key 6*15*2r
28	JMBP-00104	2	Degree Knob	63	JMBP-00060	1	Key 8*15*2r
29	JMBP-00023	1	Emergency Switch	64	JMBP-00061	1	Limit Switch
30	JMBP-00105	2	Handle (Jmb-22)	65	JMBP-00121	1	Motor Housing (JMB-22)
31	JMBP-00106	2	Degree Indicator	66	JMBP-00064	2	Angle Sensor
32	JMBP-00107	4	Degree Indicator Washer	67	JMBP-00122	1	Rear Cover
33	JMBP-00108	2	Degree Indicator Washer	68	Moving Roller	1	* Roller Sizes / Part Numbers: See Roller Selection Table
34	JMBP-00109	2	Degree Indicator Bracket	69	Center Roller	1	
35	JMBP-00110	1	Top Plate (JMB-22)	70	JMBP-00123	1	Left Cover (JMB-22)



BN Products-USA™

A DIVISION OF BENNER-NAWMAN, INC.

WWW.BNPRODUCTS.COM

JMB-22 Electric Rebar Bender

BN Customer Service (800) 992-3833

No.	Part No.	Qty	Description	No.	Part No.	Qty	Description
71	JMBP-00124	1	Right Cover (JMB-22)	86	JMBP-00142	2	SOCKET BOLT M12X25
72	JMBP-00125	4	Snap Ring	87	JMBP-00141	1	SOCKET BOLT M12X30
73	JMBP-00126	3	Tension Spring (JMB-22)	88	JMBP-00146	4	TRUSS BOLT M4X10
74	JMBP-00074	1	Stator	89	JMBP-00145	1	TRUSS BOLT M5X10
75	JMBP-00173	1	Bumper-Urethane Absorber	90	JMBP-00147	28	FLANGE BOLT M5X10
76	JMBP-00088	2	Foot Pedal Assembly	91	JMBP-00148	4	CS BOLT M5X10
77	JMBP-00159	2	M5 SPRING WASHER	92	JMBP-00163	2	ROUND BOLT M5X80
78	JMBP-00161	4	M8 SPRING WASHER	93	JMBP-00149	9	SOCKET BOLT M6X8
79	JMBP-00131	1	M12 SPRING WASHER	94	JMBP-00150	11	SOCKET BOLT M6X15
80	JMBP-00133	6	CS BOLT M10X25	95	JMBP-00165	8	SOCKET BOLT M8X15
81	JMBP-00135	9	CS BOLT M10X30	96	JMBP-00154	4	SOCKET BOLT M8X25
82	JMBP-00153	4	SOCKET BOLT M10X30	97	JMBP-00156	2	ROLLER WASHER
83	JMBP-00136	2	SOCKET BOLT M10X40	98	JMBP-00160	4	M8 PLATE WASHER
84	JMBP-00164	5	SOCKET BOLT M10X50	99	JMBP-00162	2	SPRING PIN 6X15
85	JMBP-00139	6	M10 Nut				

Roller Selection Table

Bar Diameter	Center Roller #	Center Roller Outside Diameter	Moving Roller	Moving Roller Outside Diameter	*Quantity (per bend)
3/8" (10mm) #3	No.1	2.17"	No.5	5.91"	4 pieces
1/2" (13mm) #4	No.2	3.12"	No.4	4.75"	3 pieces
5/8" (16mm) #5	No.3	3.75"	No.2	3.12"	2 pieces
3/4" (19mm) #6	No.4	4.75"	No.1	2.17"	2 pieces
7/8" (22mm) #7	No.4	4.75"	No.1	2.17"	1 piece

**Indicates the number of rebar pieces, or bars, that may be bent at one time for each rebar size (diameter)*

Roller Part Numbers

Roller Number	Part Number
1 - 55mm	JMBP-00081
2 - 79mm	JMBP-00082
3 - 96mm	JMBP-00083
4 - 120mm	JMBP-00084
5 - 150mm	JMBP-00085

BN Products-USA™