

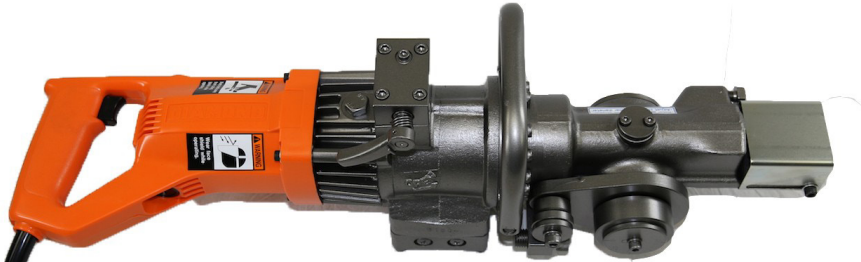


# BN Products-USA™

A DIVISION OF BENNER-NAWMAN, INC.

## DBC-16H

**#5 REBAR** (5/8" - 16MM GRADE 60 REBAR)



## ELECTRIC-HYDRAULIC BENDER-CUTTER

120V AC | COMBINATION TOOL

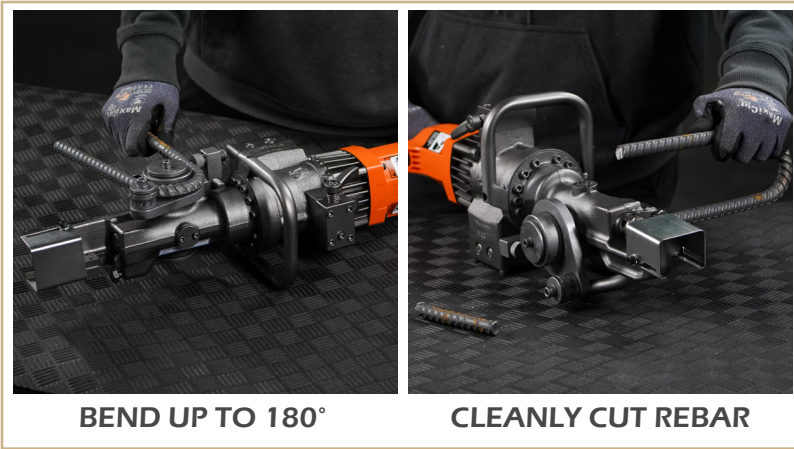
### BEND & CUT: ONE TOOL

This portable combination tool provides jobsite cutting and bending of rebar (reinforcing steel) all in one tool

The unique design of this unit provides the operator the ability to cut and bend rebar for in-place rebar or stationary fabrication applications, on the job or in the shop

### PORTABLE

Just 40lbs - the power you need where you need it



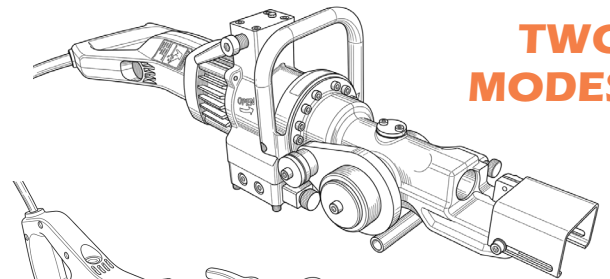
BEND UP TO 180°

CLEANLY CUT REBAR

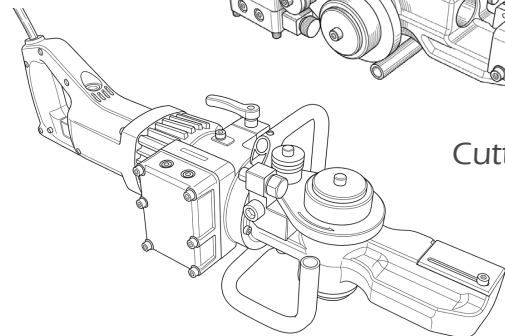
### STANDARD FEATURES

- Bends and Cuts Rebar up to #5 (5/8" - 16mm)
- NO attachments to change
- Rebar Bends 0-180° in 7 seconds
- Shears Grade 60 rebar in as little as 3 seconds
- Clearance:
  - Bending In-Place 4.5" from surface
  - Cutting In-Place - 1-3/4" from surface
- 25-1/8" L x 6-3/8" W x 8-5/8" H
- Hydraulic Oil, Tools, Carrying Case

### TWO MODES



Cutter/Shear



Rebar Bender



*Quality Since 1925*



PREVIEW:

