



BN Products-USA™

A DIVISION OF BENNER-NAWMAN, INC.

DBC-16H

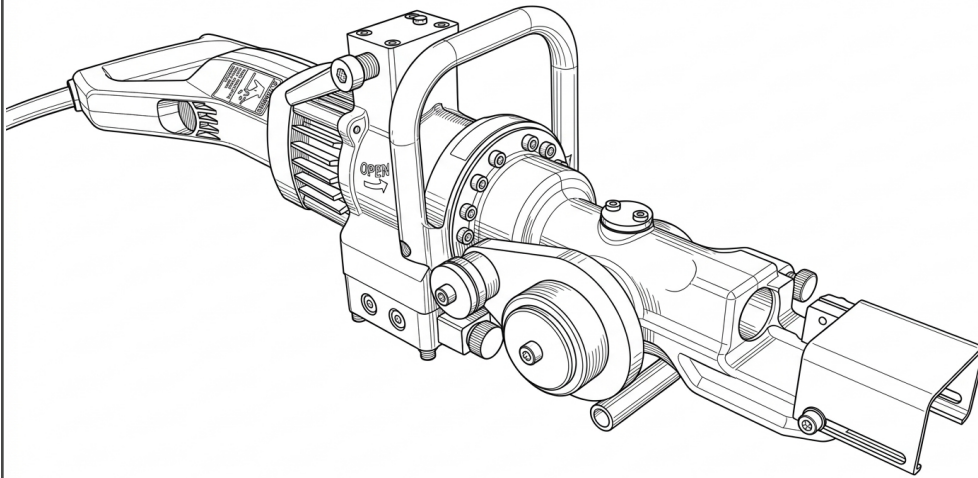
#5 Electric/Hydraulic Rebar Bender & Cutter

BN Products Customer Service: (800) 992-3833

DBC-16H

Electric/Hydraulic Rebar Bender & Cutter Parts

#5 (16mm) Grade 60 Rebar

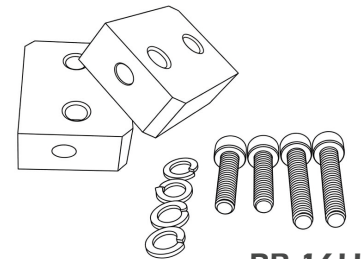


DIAMOND®
DBC-16H

This portable combination tool effectively cuts and bends rebar (reinforcing steel) in one single tool, driven by a powerful hydraulic motor.

The DBC-16H shears and bends up to #5 (16mm) Grade 60 rebar up to 180°

Replacement Cutting Blocks



RB-16H

Dimensions - Weight - Power - Capacity

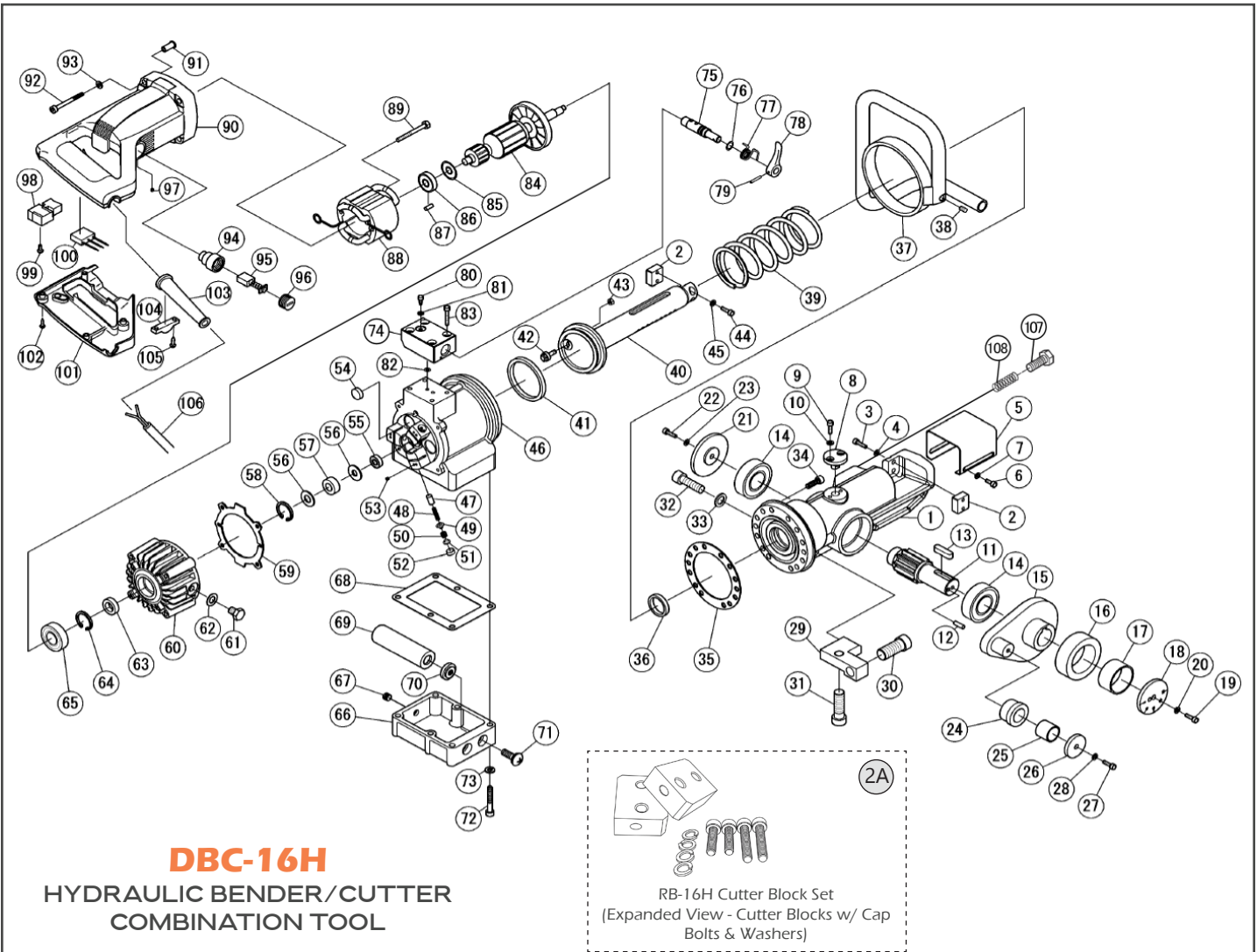
Cut / Bend Speed	3 seconds /180 degree bend in 7 seconds
Bending Roller	2.42" (62 mm) Diameter (R 31)
Clearance (In-place) Cutting	1-3/4" (44.5 mm) from Surface
Clearance (In-place) Bending	4.5" (115 mm) from Surface
Rebar Capacity	Up to #5 (16mm) Grade 60
Power Supply	Electric motor 115v, 50/60 Hz -10 amps
Total Weight (kg)	40 lbs. (18.2), 62lbs. (28.2) Shipping Weight
Tool Dimensions	25-1/8" L x 6-3/8" W x 8-5/8" H including lifting handles (cutter up)

BN Products-USA™

3450 N. Sabin Brown Road | Wickenburg, AZ 85390

(800) 992-3833 | www.BNProducts.com

**PRODUCT
PARTS GUIDE**



DBC-16H

HYDRAULIC BENDER/CUTTER COMBINATION TOOL

2A
 RB-16H Cutter Block Set
 (Expanded View - Cutter Blocks w/ Cap Bolts & Washers)

DBC-16H - Maintenance Parts Available

Maintenance parts and and replaceable components are available though BN Products-USA™ Distributors.

If assistance is required, please contact BN Products-USA™ Customer Service at (800) 992-3833.

PRODUCT NUMBER	DESCRIPTION
RB-16H	Cutting Blocks - Set of two for DBC-16H Rebar Cutter
BN7356	Hydraulic Oil (1 Quart)
TU16HK	Tune-Up Kit for DBC-16H Combination Tool



BN Products-USA™

A DIVISION OF BENNER-NAWMAN, INC.

DBC-16H

#5 Electric/Hydraulic Rebar Bender & Cutter

BN Products Customer Service: (800) 992-3833

DBC-16H Parts List

No.	Part No.	Part Name	Qty	No.	Part No.	Part Name	Qty
1	1BC1025703	HOUSING	1	41	1C1604	SEAL PACKING	1
2	1BC4208000	CUTTER BLOCK	2	42	1HB2032	RETURN VALVE	1
2A	*Cutter Blocks are ordered as a set of two, with cap bolts and washers (See Diagram); Part # RB-16H			43	1HB4207600	VALVE NUT	1
3	7CB05015	CAP BOLT M5X15	2	44	7CB05012	CAP BOLT M5X12	1
4	7SW005	SPRING WASHER M5	2	45	7SW005	SPRING WASHER M5	1
5	1BC4209801	GUARD	1	46	1BC2063300	CYLINDER	1
6	7CB06010	CAP BOLT M6x10	2	47	1C1327	RAM	3
7	7PW006	P. WASHER M6	2	48	1C1330	RUM RETURN SPRING	3
8	1BC4208400	KEY	1	49	1C13281	DELIVERY VALVE	3
9	7CB05012	CAP BOLT M5x12	2	50	1C1331	DELIVERY VALVE SPRING	3
10	7SW005	WASHER M5	2	51	1C13352	SPRING GUIDE	3
11	1BC4208500	PINION	1	52	1C13292	PUMP HEAD SEAL	3
12	1C4196700	NEEDLE ROLLER	1	53	7SS04004	SET SCREW M4X4	6
13	7K0807030R2H	KEY	1	54	3P1044	MAGNET FILTER	3
14	762052RS	BEARING	2	55	7698	BALL BEARING 698	1
15	1BC3111701	SWIVEL ARM	1	56	1C1325	BEARING GUIDE	2
16	1BC4208800	CENTER COLLAR	1	57	712NQ2410A	NEEDLE BEARING	1
17	7DUB3820	DU BUSH	1	58	7SRH027	SNAP RING H27	1
18	1BC4208900	WASHER	1	59	1C1615A	PUMP CASE PACKIONG	1
19	7CB06015	CAP BOLT M6X15	1	60	7HTK305471B	PUMP CASE	1
20	7SW006	SPRING WASHER M6	1	61	7B10015	BOLT M10X15	1
21	1BC4208600	PINION WASHER	1	62	7WF10	SEAL WASHER	1
22	7CB06020	CAP BOLT M6X20	1	63	7SC15257	OIL SEAL SC15-257	1
23	7SW006	SPRING WASHER M6	1	64	7SRH026	SNAP RING H26	1
24	1BC4209001	BENDING ROLLER	1	65	76002VV	BALL BEARING 6002VV	1
25	7DUB2020	DU BUSH	1	66	1HB207	AIR BAG COVER	1
26	1BC4209102	WASHER	1	67	7PT1/8	PLUG PT1/8	1
27	7CB08015	CAP BOLT M8X15	1	68	1HB208	AIR BAG COVER PACKING	1
28	7SW008	SPRING WASHER M8	1	69	1C1958	AIR BAG	2
29	1BC4208100	STOPPER STAY	1	70	1CM2027	AIR BAG NUT	2
30	1BC4208200	STOPPER	1	71	1CL006	AIR BAG SET BOLT	2
31	7CB12040	CAP BOLT M12x40	1	72	7CB06040	CAP BOLT M6X40	4
32	7CB08025	CAP BOLT M8X25	3	73	7SW006	SPRING WASHER M6	4
33	7GW008	TEETHED WASHER M8	3	74	1BC3114000	VALVE CASE	1
34	7CB06022	CAP BOLT M6X22	14	75	1DBR2921	ROTARY VALVE	1
35	1BC4209200	CYLINDER PACKING	1	76	1DBR2946	O RING P10A	1
36	1C16021	PISTON SEAL PACKING	1	77	1DBR2923	VALVE LEVER SPRING	1
37	1BC2063100	HANDLE	1	78	1DBR2922	VALVE LEVER	1
38	7SS06015	SET SCREW M6X15	3	79	7SP03020W	SPRING PIN 3X20	1
39	1BC4208300	RETURN SPRING	3	80	1DBR5012	GUIDE BOLT M5X12	1
40	1BC2063201	PISTON	1	81	7WF05	SEAL WASHER	1
				82	7ORP6	O RING	2



BN Products-USA™

A DIVISION OF BENNER-NAWMAN, INC.

DBC-16H

#5 Electric/Hydraulic Rebar Bender & Cutter

BN Products Customer Service: (800) 992-3833

DBC-16H Parts List

No.	Part No.	Part Name	Qty
83	7CB06030	CAP BOLT M6X30	4
84	7HTK360274CB	ARMATURE WITH CAM	1
85	7HTK956387B	DUST SEAL	1
86	7608VV	ARMATURE BEARING	1
87	7HTK946362B	BEARING ROCK	1
88	7HTK981610CB	STATOR	1
89	7NT05060	TAPPING SCREW 5X60	2
90	7HTK305474B	MOTOR HOUSING	1
91	7HTK305472B	SLEEVE	1
92	7CB05080	CAP BOLT M5X80	4
93	7PW005	P WASHER M5	4
94	7HTK981586B	BRUSH HOLDER	2
95	7HTK999043B	CARBON BRUSH	2
96	7HTK961781B	BRUSH CAP	2
97	7SS04005	SET SCREW M4X5	2
98	7HTK957747B	TRIGGER SWITCH	1
99	7WB035006	WING BOLT M3.5X6	1
100	7HTK308283B	CONDENSER	1
101	7HTK002065B	MOTOR HANDLE COVER	1
102	7NT04020	TAPPING SCREW 4X20	1
103	7HTK938051B	CORD ARMOR	1
104	7HTK960266B	CORD CLIP	1
105	7FNS04016	TAPPING SCREW D4X16	2
106	4V0001V	CORD	1
107	7B10025T11	HEX BOLT 10X25	1
108	1C4079400	LOCK SPRING	1



BN Products-USA™

3450 N. Sabin Brown Road | Wickenburg, AZ 85390

(800) 992-3833 | www.BNProducts.com

THE MOST TRUSTED NAME IN REBAR TOOLS