



BN Products-USA™

A DIVISION OF BENNER-NAWMAN, INC.

DBR-25WM

HYDRAULIC | HEAVY-DUTY REBAR BENDER

Bend & Straighten up to #8 (1") Grade 60 Rebar

- The DBR-25WM is a portable heavy-duty electric/hydraulic rebar bender and straightener
 - **Maximum bend capacity: #8 / 1" Grade 60 rebar**
- Saves valuable man-hours by efficiently bending or straightening bent rebar:
 - Functions as a simple 90-degree portable electric rebar bender
 - Interchangeable bending hook bends rebar diameters from #4 to #8 grade 60
 - Maximum pressure for bending and straightening ranges from 8.5 to 11 tons
- Portable and versatile - bend or straighten rebar in-place with its push/pull hydraulic capabilities
- Bends a 90° angle in just four seconds
- Tool includes hydraulic oil and maintenance tool kit, two bending dies, and standard bending hook for push/pull applications



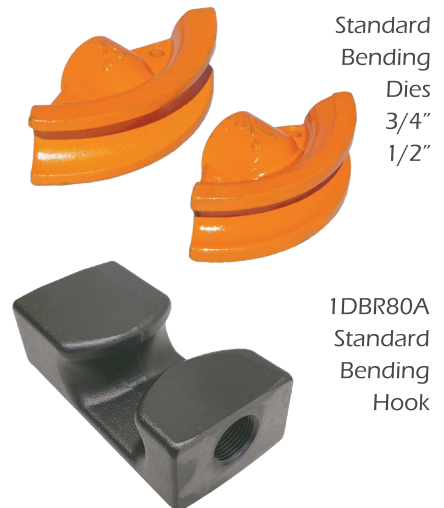
DBR-25WM

HYDRAULIC
BENDER | STRAIGHTENER

Watch Demo



Max Rebar Diameter	#8 (1") 25 mm			
Rebar Diameter	Straightening Capacity		Bending Capacity	
	Push	Pull	Push	Pull
#4 - 13 mm	up to 125°	up to 121°	up to 94°	up to 92°
#5 - 16 mm	128	124	90	90
#6 - 20 mm	130	126	90	90
#8 - 25 mm	132	124	90	90
Max pressure	11 Tons	8.5 tons	11 tons	8.5 tons
Output	1.5 HP			
Weight	58 lbs / 26 Kg			
Dimensions	23.5" x 10.5" x 8" (660x270x200mm)			



Standard
Bending
Dies
3/4"
1/2"

1DBR80A
Standard
Bending
Hook

BN Products-USA™

BNProducts.com | (800) 992-3833 | mail@bnproducts.com