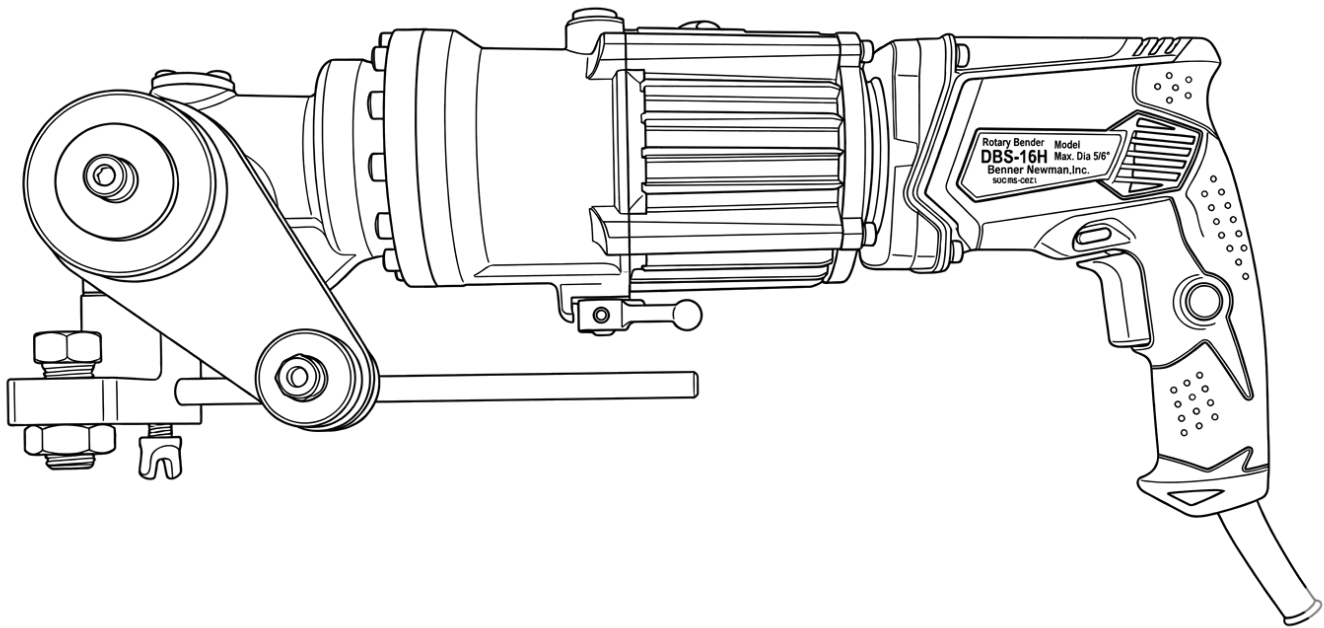


## Product Parts Guide



DBS-16H REBAR IN-PLACE BENDER | SERIAL NUMBER

S/N #

### PRODUCT PARTS GUIDE

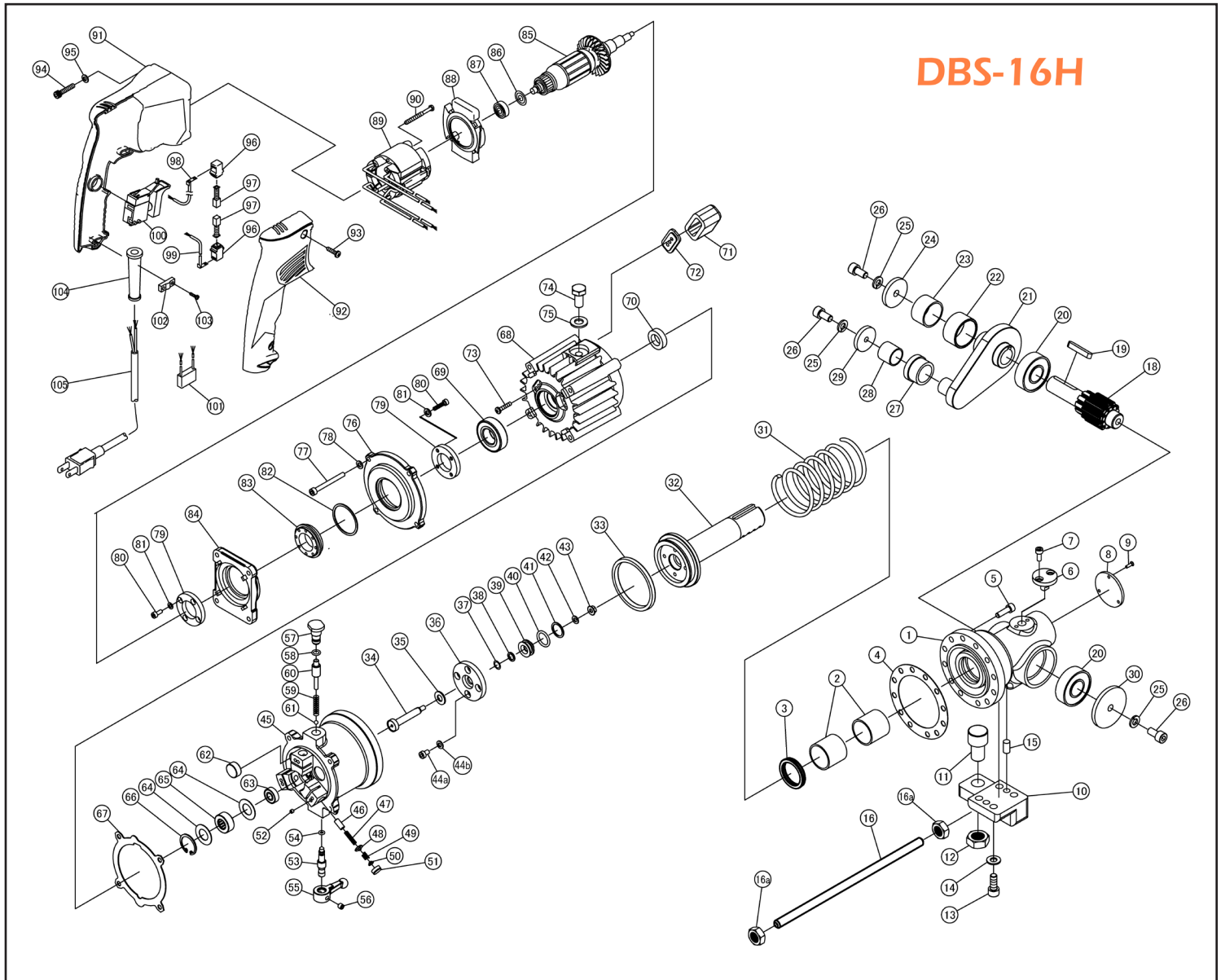
This manual lists service and replacement parts for the product model listed in this document. Information in this publication represents data available at the time of print. BN Products-USA™, a division of Benner-Nawman, Inc., reserves the right to change this publication, and the products represented, without notice and without any obligation or liability, real or implied.



**BN Products-USA™**  
3450 N Sabin Brown Road  
Wickenburg, AZ 85390

(800) 992-3833  
BNProducts.com

# DBS-16H In-Place Rebar Bender Parts View



## DBS-16H In-Place Rebar Bender Parts Listing

#	Part Number	Description	Qty	#	Part Number	Description	Qty
1	1BS1027800	Housing	1	12	7N016S3	Hexagon nut (3 types) 16	1
2	7BM3030FB	Bush BM3030FB	2	13	7CB08020	CAP BOLT (M8X20)	4
3	1C16021	SKY Packing (SKY 30)	1	14	7GW0008	TEETHED WASHER (M8)	4
4	1BS4259300	Cylinder packing	1	15	7PP10016A	Parallel Pin 10 x 16	2
5	7CB06022	CAP BOLT (M6X22)	12	16	7RD0B10250	Rod	1
6	1BC4208400	Key (DBC-16H)	1	17	7WB08012	Wing bolt 8 x 12	1
7	7CB05012	Hex socket cap screw 5 x 12	2	18	1BS4258900	Pinion	1
8	1BS4258700	Housing cap	1	19	7K0606038R2H	Key 6 x 6 x 38 (2x rounded)	1
9	7FB03010	FLAT HEAD BOLT (M3 x 10)	3	20	762042RS	Bearings 62042 RS	2
10	1BS3132400	Stopper Stay	1	21	1BS3132600	Swivel Arm	1
11	1BC4208200	STOPPER BOLT	1	22	1BS4259100	Center Roller (39)	1

#	Part Number	Description	Qty	#	Part Number	Description	Qty
23	7DUB3020	DU Bush DUB 3020	1	64	1C1325	Bearing guide	1
24	1BS4259200	Washer	1	65	712NO2410A	Needle bearing (RMAST8)	1
25	7SW008	Spring Washer	3	66	1C1326	Snap ring (H27)	1
26	7CB08015	CAP BOLT (M8X15)	3	67	1C1615	Pump case housing	1
27	1BC4209000	BENDING ROLLER	1	68	1BS2068500	Pump case	1
28	7DUB2020	DU BUSH	1	69	76002VV	Ball Bearing (6002VV)	1
29	1BC4209102	Washer	1	70	1C1342	OIL SEAL (SC-15-25-7)	1
30	1BS4259000	Pinion Washer	1	71	1C4199300	Air Bag	2
31	1BS4258800	Return spring	1	72	1C4199400	Air back nut	2
32	1BS3150300	Piston	1	73	7P204020	Flat Head Screw 4 x 20	4
33	1C1604	Seal Packing (ODI60-70-6)	1	74	1C1304	BOLT, (OIL PLUG) (M10X15)	1
34	3AP4224002	Return Valve	1	75	7WF10	Seal Washer WF 10	1
35	7BW008	Belleville Spring Washer 8	1	76	1BS3132300	Distance piece P	1
36	1BS4294900	Guide Plate	1	77	7CB05100	Hex Socket Head Bolt 5 x 100	4
37	7SPNC8	SPNC PACKING	1	78	7GW005	Washer 5	4
38	7BRP8B	BACK UP RING P8	1	79	3AP4230600	Washer	2
39	1C4152300	Return Valve Guide	1	80	7CBS04010	Hx Socket Head Cap Screw 4x100	8
40	7ORP16	O-RING P16	1	81	7GW004	Washer 4	8
41	7BRP16B	Backup Ring P16	1	82	7JASO20371ATF	O-ring JASO 2037 1A	1
42	3AP4233400	Return Valve Collar	1	83	1C4257900	Joint Adapter	1
43	7NU005	U Nut M5	1	84	3AP3133300	Distance piece M	1
44a	7CBS05008	Low Head Bolt	1	85	7AR2068400	Armature Assembly	1
44b	7GW005	Teethed Washer	1	86	7HTK982631B	Washer (A) 982631	1
45	1BS1027900	Cylinder	1	87	7608VV	Ball Bearing (7608VV)	1
46	1C1971	Ram (+/-0)	3	88	7HTK335244B	Fan Guide	1
47	1C1972	Ram return spring	3	89	7HTK340849B	Stator 110V	1
48	1C1973	Delivery valve	3	90	7HTK961672B	Hexagon Tapping Screw D 4x50	2
49	1C1331	Deliveries Valve Spring	3	91	7HTK335241B	Motor housing	1
50	1C13352	Spring Guide	3	92	7HTK335242B	Switch cover	1
51	1C13292	Pump Head Seal (11 mm)	3	93	7HTK301653B	Tapping Screw (D4x20)	3
52	7SS04004	SET SCREW (M4X4)	6	94	1C1311B	Cap bolt (M5X25)	4
53	3P1013	Needle Valve	1	95	7SPW005	Plain Washer 5	4
54	7ORP4	O Ring P4	1	96	7HTK955203B	Brush Holder	2
55	3P1014B	Position Stopper B	1	97	7HTK999041B	Carbon Brush	1
56	7SS06006	Hex Socket Set Screw 6 x 6	2	98	7HTK324537B	Lead wire (A) Brown	1
57	1BS4259500	Pilot stopper	1	99	7HTK324538B	Lead Wire (A) Blue	1
58	7ORP7	O Ring P7	1	100	7HTK323575B	Switch	1
59	7WT820	Spring	1	101	7HTK930039B	Condenser	1
60	1BS4259400	Pilot Valve	1	102	7HTK937631B	Cord Clip	1
61	7SBTA4.5	Steel ball S4.5	1	103	7HTK984750B	Flanged Tap Screw D4 x 16	2
62	3P1044	MAGNET FILTER	2	104	7HTK938051B	Cord Armor D 10.1	1
63	7698	Bearing 698	1	105	7COD0752C050J	Electrical Cord 0.75 x 5.0 M	1

**Product & Customer Service Information**

<b>DBS-16H In-Place Rebar Bender</b>	
Maximum Bending Diameter	5/8" (#5) Rebar (22mm)
Rebar Grade	Grade 60
Maximum Bending Angle / Speed	Up to 90 degrees / 4 seconds
Power Supply	120V 60Hz / 11A / 1050W
Tool Weight	26.5 lbs (12 kg)
Dimensions L x W x H (mm)	18.5" x 5.7" x 10.7 (470 x 145 x 270)

**BN Products-USA™**  
**Customer Service**

Toll-Free (800) 992-3833    mail@bnproducts.com  
 www.BNProducts.com

Replacement parts can be purchased from BN Products-USA™ by calling our customer service at 1-800-992-3833, M-F 8:00am-4:30pm MST. Parts and accessories that wear down over the course of normal use are **not** covered by the limited manufacturer warranty.

**Product Part Numbers**

Part Numbers contained within this Guide are unique to BN Products-USA™ and Diamond Tool/IKK Co., LTD. Such part numbers are not universal identifiers that can be used to directly reference non-OEM, third-party, or after-market parts suppliers.



**BN Products-USA™**

(800) 992-3833  
 BNProducts.com

*Quality  
 Since  
 1925*