



BN Products-USA™

THE MOST TRUSTED NAME IN REBAR TOOLS

DC-16LZ

ELECTRIC-HYDRAULIC REBAR CUTTER

#5 REBAR (5/8" - 16MM GRADE 60)

SUMMARY

This portable rebar cutting tool provides safe and efficient rebar cuts for medium-duty contractor use. Slightly smaller and more lightweight than the DC-16W, this is a great portable tool for regular duty.

Unlike saws with abrasive blades or cutting torches - the DC-16LZ eliminates sparks and open flames - among other safety hazards. A safety relief valve for retracting the hydraulic piston and a cutting guard are among standard features of the DC-16LZ Cutter.

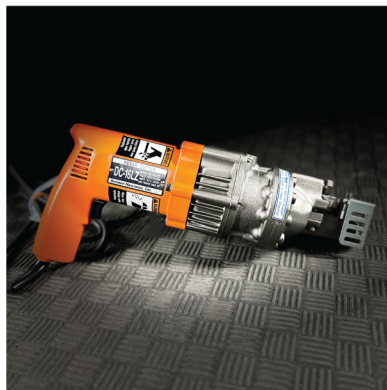
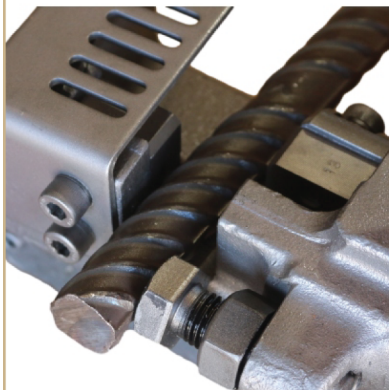
PORTABILITY

At 15 lbs - the power you need, where you need it - and useful for shearing rebar on the job site, or in a shop



DIAMOND

DC-16LZ

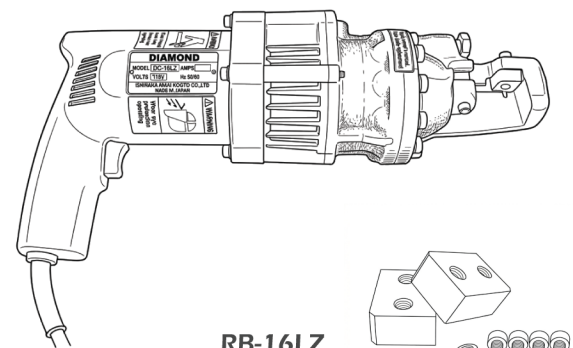


SECURE ADJUSTMENT FOR
FOR ROD DIAMETERS UP
TO 16MM

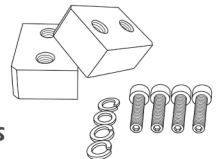
- ERGONOMIC
- LIGHTWEIGHT

STANDARD FEATURES

- Safe and clean Rebar cuts up to #5 (5/8" - 16mm)
- 115V A/C - 9A power required; 8' cord length
- Built for medium-duty use
- Shears Grade 60 rebar in as little as 2.5 seconds
 - 13 tons of cutting pressure
 - Long-lasting cutting blocks
- 14.8" L x 6.8" W x 4.1" H (380mm x 175mm x 105mm)
- 15 lbs (6.8 kg)
- Hydraulic Oil, Tools, Carrying Case



RB-16LZ
Cutting Blocks



Quality Since 1925

BNProducts.com | (800) 992-3833 | mail@bnproducts.com

YouTube

PREVIEW:

