



**BN Products-USA™**

A DIVISION OF BENNER-NAWMAN, INC.

**HB-16W**

**5/8" / #5 Portable Rebar Bender**

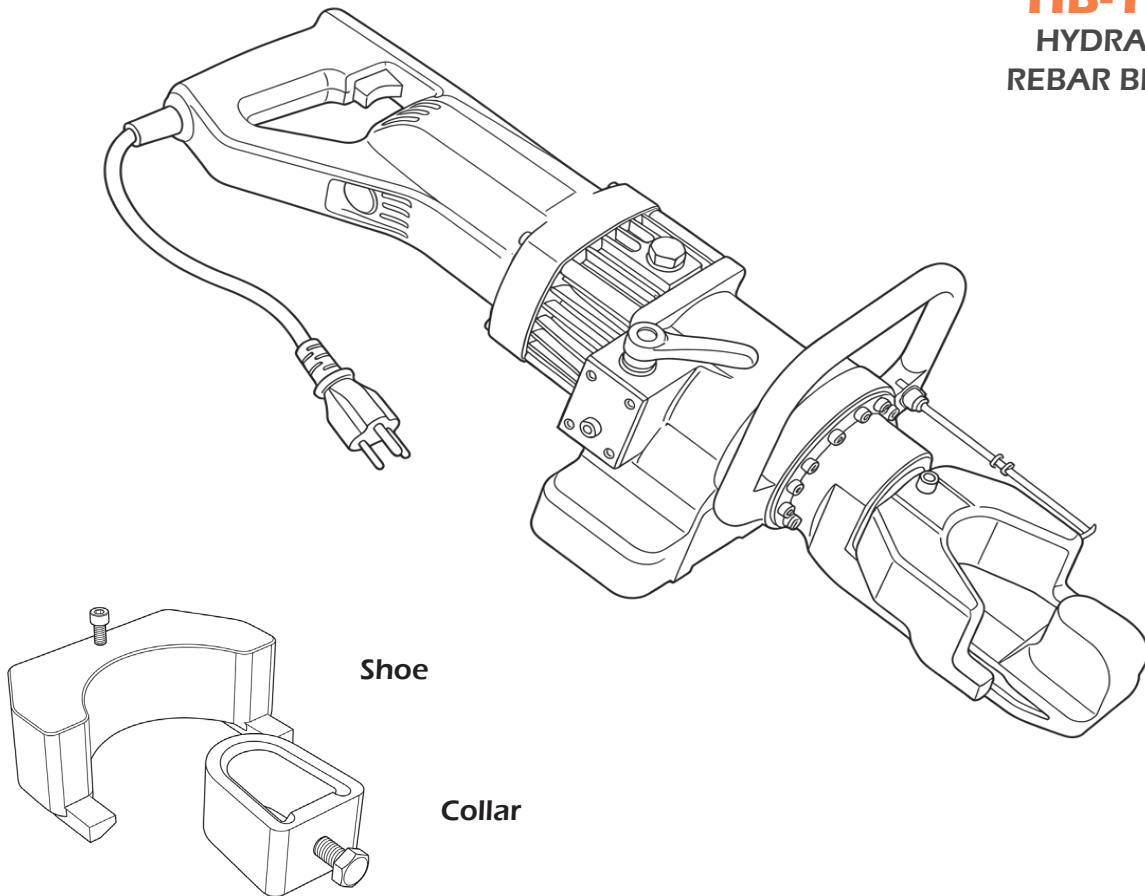
BN Products-USA™ Customer Service (800) 992-3833

115V 60Hz / 10.0A

| 5/8" - #5 Rebar (16mm) Grade 60

| 0-135° / 8 Seconds

**Electric / Hydraulic Portable Rebar Bender**



The HB-16W portable heavy-duty electric/hydraulic rebar bender helps save valuable man hours by bending rebar up to 5/8" (#5) grade 60 from 0-135 degrees in-place at the job site.

This portable electric/hydraulic rebar bender ships in a durable protective carrying case, and includes additional hydraulic oil and a maintenance tool kit.

**BN Products-USA™**

3450 N Sabin Brown Road | Wickenburg, AZ 85390

(800) 992-3833 | [www.BNProducts.com](http://www.BNProducts.com)

**PRODUCT**  
**PARTS GUIDE**



**BN Products-USA™**

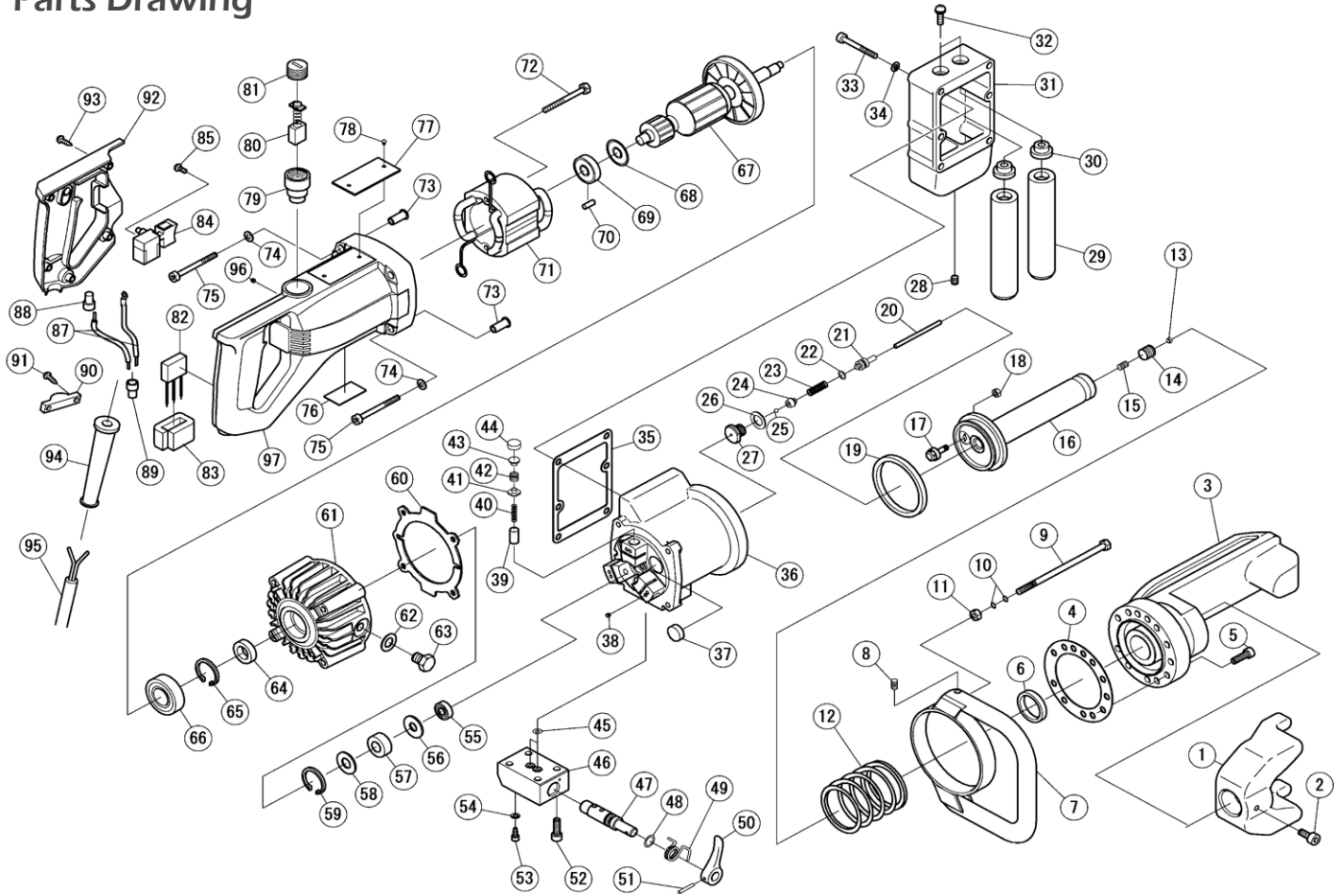
A DIVISION OF BENNER-NAWMAN, INC.

# HB-16W

## 5/8" / #5 Portable Rebar Bender

BN Products-USA™ Customer Service (800) 992-3833

### Parts Drawing



**HB-16W**

### Parts Listing

No.	Part No.	Part Name	Qty
1	1HB16041	BENDING SHOE	1
2	1HB4221600	CAP BOLT M6×10	1
3	1HB1603A	HOUSING	1
4	1HB2611	CYLINDER PACKING	1
5	7CB06028	CAP BOLT M6×28	12
6	3P1031	SEAL PACKING	2
7	1DBR29481	HANDLE	1
8	7SS06015	SET SCREW M6×15	1
9	7B06120	SET BAR M6×120	1
10	7ORP5	O RING P5	2
11	7N006	U NUT M6	1

No.	Part No.	Part Name	Qty
12	1HB205	RETURN SPRING	1
13	1HB1620	RUBBER PLIG	1
14	7PT1/8	PLUG PT1/8	1
15	7SS06015	SET SCREW M6×12	1
16	1HB16012	PISTON	1
17	1HB2032	RETURN VALVE	1
18	7NU005	NUT M5	1
19	1C1318	SEAL PACKING	1
20	1HB16051	ADJUST ROD	1
21	1DBR2939	SPRING GUIDE	1
22	7ORP7	O RING P7	1



**BN Products-USA™**

A DIVISION OF BENNER-NAWMAN, INC.

# HB-16W

## 5/8" / #5 Portable Rebar Bender

BN Products-USA™ Customer Service (800) 992-3833

No.	Part No.	Part Name	Qty
23	1DBR2942	SAFETY VALVE SPRING	1
24	1DBR2938	VALVE SET	1
25	7SBTA5/32	STEEL BALL 5/32	1
26	7WF12	SEAL WASHER WF12	1
27	1DBR2941	SAFETY VALVE SEAT	1
28	7PT1/8	PLUG PT1/8	1
29	1C2570	AIR BAG	2
30	1CM2027	AIR BAG NUT	2
31	1HB207A	AIR BAG COVER	1
32	1CL006	AIR BAG SET BPOL	2
33	7CB06050	CAP BOLT M6×50	6
34	7SW006	SPRING WASHER M6	6
35	1HB208	AIR BAG COVER PACKING	1
36	1HB201B	CYLINDER	1
37	3P1044	MAGNET FILTER	3
38	7SS04004	SET SCREW M4×4	6
39	1C1327	RAM	3
40	1C1330	RAM RETURN SPRING	3
41	1C13281	DELIVERY VALVE	3
42	1C1331	DELIVERY VALVE SPRING	3
43	1C13352	SPRING GUIDE	3
44	1C13292	PUMP HEAD SEAL	3
45	7ORP6	O RING P-6	2
46	1DBR2925	VALVE CASE	1
47	1DBR2921	ROTARY VALVE	1
48	1DBR2946	O RING P10A	1
49	1DBR2923	VALVE LEVER SPRING	1
50	1DBR2922	VALVE LEVER	1
51	7SP03020W	SPRING PIN Φ3×20	1
52	7CB06030	CAP BOLT M6×30	4
53	1DBR5012	BOLT M5×12	1
54	7WF05	SEAL WASHER W5	1
55	7698	BALL BEARING 698	1
56	1C1325	BEARING GUIDE	1
57	712NQ2410A	NEEDLE BEARING	1
58	1C1325	BEARING GUIDE	1
59	7SRH027	SNAP RING HR27	1
60	1C1615A	PUMP CASE PACKING	1

No.	Part No.	Part Name	Qty
61	7HTK305471B	PUMP CASE	1
62	7WF10	SEAL WASHER WF10	1
63	7B10015	OIL PLUG	1
64	7SC15257	OIL SEAL	1
65	7SRH026	SNAP RING H26	1
66	76002VV	BALL BEARING 6002VV	1
67	7HTK360274CB	ARMATURE WITH CAM	1
68	7HTK956387B	DUST SEAL A	1
69	7608VV	BALL BEARING 608VV	1
70	7HTK946362B	BEARING LOCK	1
71	7HTK981610CB	STATOR COIL	1
72	7NT05060	TAPPING SCREW D5×60	2
73	7HTK305472B	SLEEVE	4
74	7PW005	PLATE WASHER M5	4
75	7CB05080	CAP BOLT M5×80	4
76	MANUFACTURER DECAL		1
77	NAME PLATE		1
78	RIVET		1
79	7HTK981586B	BRUSH HOLDER	2
80	7HTK999043B	CARBON BRUSH SET	1
81	7HTK961781B	BRUSH CAP	2
82	7HTK308283B	CONDENSER	1
83	7HTK930153B	SUPPORT B	1
84	7HTK957747B	SWITCH	1
85	7WB035006	SCREW 3.5×6	2
87	7HTK971825B	**LEAD WIRE	1
88	7HTK959141B	CONNECTOR 50092	1
89	7HTK959140B	CONNECTOR 50091	1
90	7HTK960266B	CORD CLIP	1
91	7FNS04016	TAPPING SCREW 4×16	2
92	7HTK002065B	SWITCH COVER	1
93	7NT04020	TAPPING SCREW 4×20	5
94	7HTK938051B	CORD ARMOR	1
95	4V0001V	CORD SET	1
96	7SS04005	SET SCREW 4×5	2
97	7HTK305474B	MOTOR HOUSING	1
*NP	1HB3107500	BENDING SHOE (WIDE) 1HB16041	1
*NP	1HB3107800	BENDING COVER	1

\*NP = Not pictured in Diagram

\*\*Lead wire pair, including terminal, are combined as a single



**BN Products-USA™**

A DIVISION OF BENNER-NAWMAN, INC.

# HB-16W

## 5/8" / #5 Portable Rebar Bender

BN Products-USA™ Customer Service (800) 992-3833

### Tool Specifications

Maximum Bending Diameter	5/8" #5 Rebar (16mm) - Grade 60
Bending Angle / Speed	0 - 135 degrees / 8 Seconds
Voltage/Amperage	115V 50/60Hz / 10 amps
Tool Weight	33 lbs (15 kg)
Dimensions L x W x H	22.8" (585mm) x 7.6" (195mm) x 8" (205mm)

### Maintenance Parts & Accessories

Product Number	Description
BN7356	Hydraulic Oil (1 Quart)
SC16W	Shoe/Collar Set; Additional 90° set for the HB-16W hydraulic rebar bender



**BN Products-USA™**

3450 N. Sabin Brown Road | Wickenburg, AZ 85390

(800) 992-3833 | [www.BNProducts.com](http://www.BNProducts.com)

THE MOST TRUSTED NAME IN REBAR TOOLS