



BN Products-USA™

THE MOST TRUSTED NAME IN REBAR TOOLS

HB-16W

ELECTRIC | HYDRAULIC REBAR BENDER

#5 REBAR (5/8" - 16 MM GRADE 60)

SUMMARY

The HB-16W portable heavy-duty electric/hydraulic rebar bender helps save valuable man-hours by bending rebar up to 5/8" (#5) grade 60 from 0-135 degrees in-place at the job site

Other features include a double-insulated electric motor and a removable bending guide for repeating the same angle bend:

- The optional 90 degrees bending shoe and collar make it simple to repeat 90-degree bends without a guide.
- The optional bending collar increases the bending radius and minimizes rebar breakage, especially on #5 grade 60.

PORTABILITY

At 33 lbs - the power you need, where you need it - and useful for shearing rebar on the job site, or in a shop!



DIAMOND®

HB-16W



Simple Bends up
135°

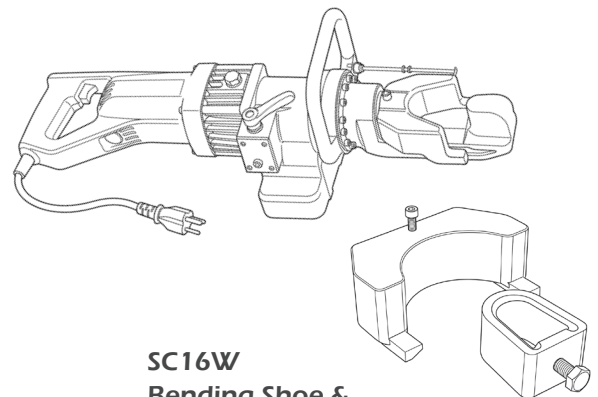
Optional Bending Shoe
& Collar for Easy 90° Bends

STANDARD FEATURES

- 0 -135° in-place rebar bending up to #5 (5/8" - 16 mm) Grade 90 rebar
- 8-second bending time for most applications
- Operates on 115V 50/60 Hz AC - 10A power
- 22.8" L x 7.6" W x 8" H (585 mm x 195 mm x 205 mm)
- 33 lbs (15.0 kg)
- Hydraulic Oil, Tools, Carrying Case



Quality Since 1925



SC16W
Bending Shoe &
Collar



PREVIEW:

