



BN Products-USA™

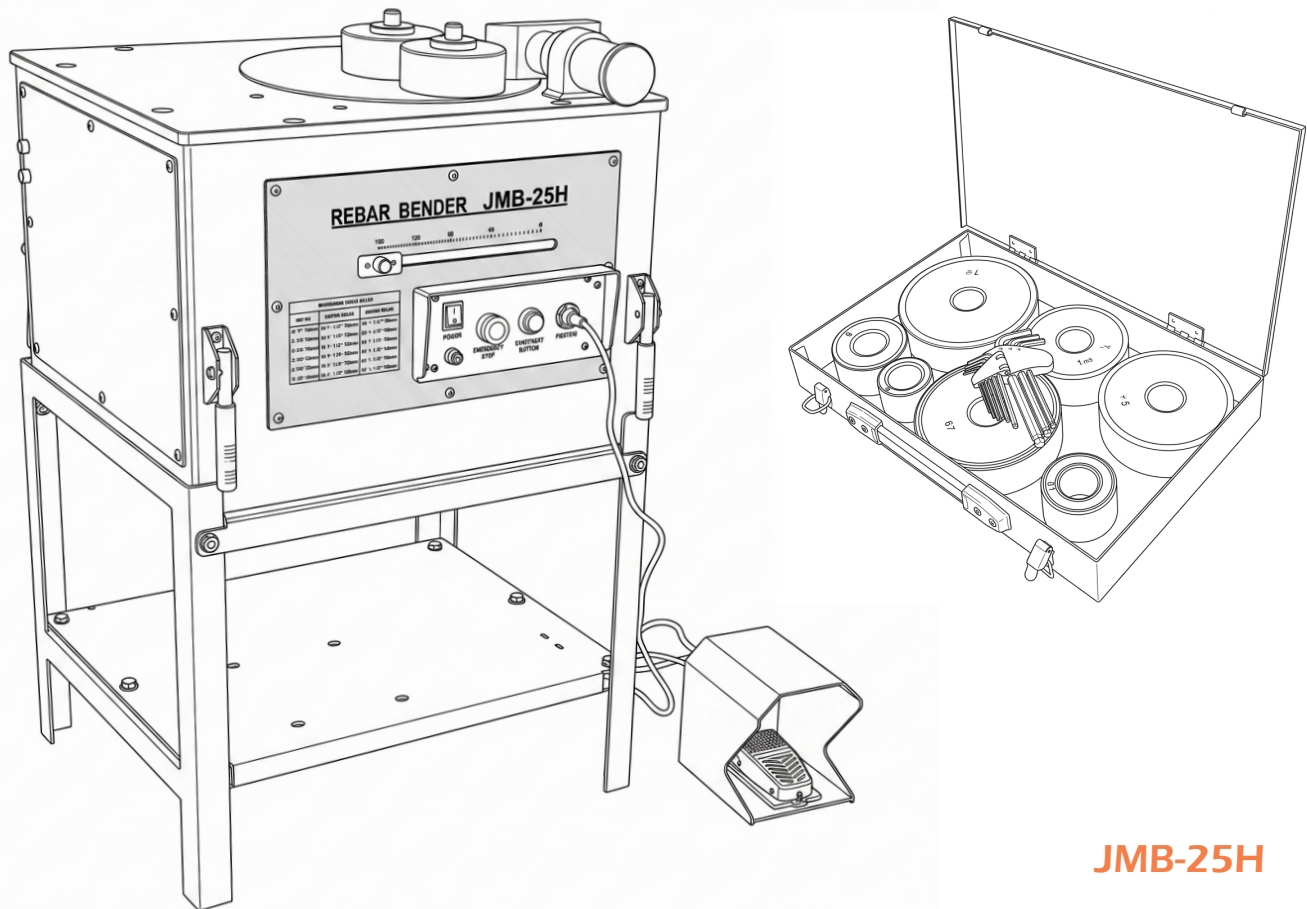
A DIVISION OF BENNER-NAWMAN, INC.

JMB-25H Electric Rebar Bender

BN Customer Service (800) 992-3833

115V / 15A | Bend up to #8 (1" - 25.4 mm) Grade 60 Rebar
0-180° Angle Bends | Angle Preset Control

Rebar Bender with Stand & Control Pedal



JMB-25H

The JMB-25H is a table-style electric rebar bending machine. The unit ships with a heavy-duty stand for the machine, bending rollers, steel carrying case, tool kit, standard foot pedal control switch, and includes a one-year limited manufacturer warranty.

BN Products-USA™

3450 N Sabin Brown Road | Wickenburg, AZ 85390

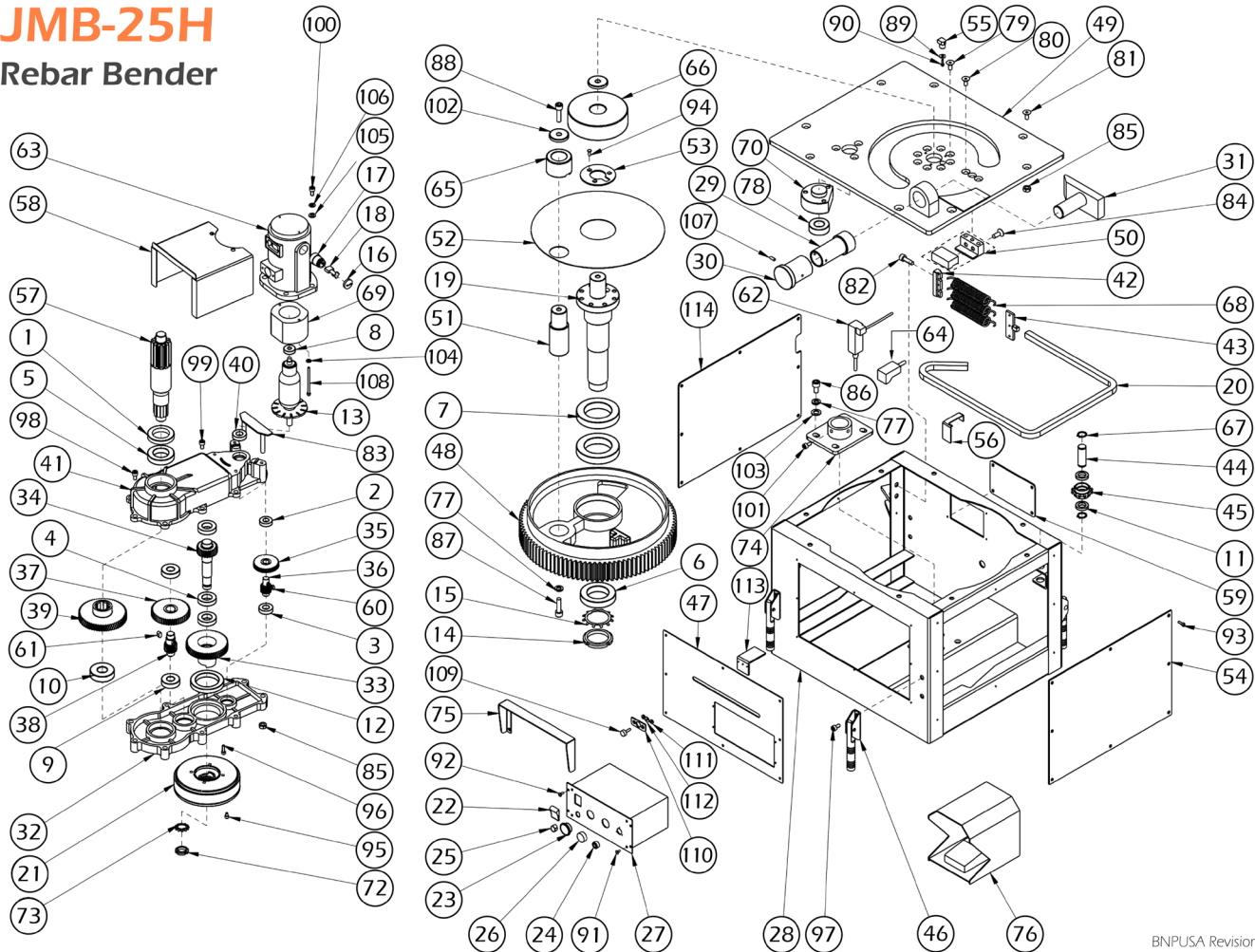
(800) 992-3833 | www.BNProducts.com

**PRODUCT
PARTS GUIDE**



Parts Drawing (Exploded View)

JMB-25H
Rebar Bender



BNPUSA Revision 8 - April 2026

JMB-25H Roller Selection Table

Rebar Size (Diameter)	Center Roller #	Center Roller Outside Diameter (Part #66)	Moving Roller	Moving Roller Outside Diameter (Part #65)	*Quantity (per bend)
#8 (1")	7	5.97" (152 mm)	1	2.54" (65 mm)	1
#7 (7/8")	6	5.15" (131 mm)	3	3.63" (92 mm)	1
#6 (3/4")	4	4.45" (114 mm)	5	4.45" (114 mm)	2
#5 (5/8")	3	3.63" (92 mm)	6	5.15" (131 mm)	2
#4 (1/2")	2	3.09" (79 mm)	8	5.15" (131 mm)	3
#3 (3/8")	1	2.54" (65 mm)	9	7.14" (181 mm)	4

**Indicates the number of rebar pieces, or bars, that may be bent at one time for each rebar size (diameter)*



BN Products-USA™

A DIVISION OF BENNER-NAWMAN, INC.

JMB-25H Electric Rebar Bender

BN Customer Service (800) 992-3833

No.	Part No.	Qty	Description	No.	Part No.	Qty	Description
1	JMBP-00001	1	Oil Seal Jmb-25h	36	JMBP-00036	1	8th Gear (28phi Gear)
2	JMBP-00002	1	6002ZZ Bearing	37	JMBP-00037	1	5th Gear (98phi Gear)
3	JMBP-00003	2	6003ZZ Bearing	38	JMBP-00038	1	4th Gear (34phi Gear)
4	JMBP-00004	3	6005ZZ Bearing	39	JMBP-00039	1	3rd Gear (123 Phi Gear)
5	JMBP-00005	1	6008ZZ Bearing	40	JMBP-00040	1	6003ZZ Bearing
6	JMBP-00006	1	6011DD Bearing	41	JMBP-00041	1	Gear Box Top Housing
7	JMBP-00007	2	6014ZZ Bearing	42	JMBP-00042	1	Spring Bracket
8	JMBP-00008	1	6200ZZ Bearing	43	JMBP-00043	1	Spring Holder
9	JMBP-00009	2	6204ZZ Bearing	44	JMBP-00044	3	Shaft For Chain Gear
10	JMBP-00010	1	6305ZZ Bearing	45	JMBP-00045	3	Chain Sprocket
11	JMBP-00011	2	6804ZZ Bearing	46	JMBP-00046	1	Handle
12	JMBP-00012	1	6912ZZ Bearing	47	JMBP-00047	1	Front Pannel
13	JMBP-00013	1	Amature JMB-25H	48	JMBP-00048	1	Large Gear (1st Gear)
14	JMBP-00014	1	AN11 Lock Nut	49	JMBP-00049	1	Top Plate
15	JMPB-00015	1	AW11 Washer	50	JMBP-00050	1	Urethane Bumper Assembly
16	JMBP-00016	2	Carbon Cap	51	JMBP-00051	1	Moving Roller Shaft
17	JMBP-00017	2	Carbon Holder	52	JMBP-00052	1	Top Dust Cover
18	JMBP-00018	2	Carbon Brush	53	JMBP-00053	1	Top Center Plate
19	JMBP-00019	1	Center Shaft Assy JMB-25H	54	JMBP-00054	1	Side Cover Left
20	JMBP-00020	1	Chain	55	JMBP-00055	1	Roller Stoper
21	JMBP-00021	1	Clutch Assy. Jmb-25h	56	JMBP-00056	1	Sensor Detector
22	JMBP-00022	1	On/Off Switch	57	JMBP-00057	1	2nd Gear (Center Shaft)
23	JMBP-00023	1	Emergency Switch	58	JMBP-00058	1	Dust Cover for Gear Box
24	JMBP-00024	1	Foot S/W Connector	59	JMBP-00059	1	Rear Cover
25	JMBP-00025	1	Fuse	60	JMBP-00060	1	Key 6*15*2r
26	JMBP-00026	1	Start Button	61	JMBP-00061	1	Key 8*15*2r
27	JMBP-00027	1	Control Box Panel	62	JMBP-00062	1	Limit Switch
28	JMBP-00028	1	Frame JMB-25H	63	JMBP-00063	1	Motor Housing
29	JMBP-00029	1	Adjustable Nut	64	JMBP-00064	1	Angle Sensor
30	JMBP-00030	1	Modulator Handle	65	*See p.4 Roller Part Numbers	1	Moving Roller
31	JMBP-00031	1	Bar Stopper	66		1	Center Roller
32	JMBP-00032	1	Gear Box Bottom Housing	67	JMBP-00072	3	Snap ring
33	JMBP-00033	1	7th Gear (Clutch Gear)	68	JMBP-00073	3	Tension spring
34	JMBP-00034	1	6th Gear (Clutch Shaft)	69	JMBP-00074	1	Stator
35	JMBP-00035	1	9th Gear (69phi Gear)	70	JMBP-00075	1	Top bearing housing



BN Products-USA™

A DIVISION OF BENNER-NAWMAN, INC.

JMB-25H Electric Rebar Bender

BN Customer Service (800) 992-3833

*Item #71 is intentionally omitted, as the individual part is included the bumper assembly (#50)

No.	Part No.	Qty	Description	No.	Part No.	Qty	Description
72	JMBP-00077	1	AN04 Lock nut	95	JMBP-00149	9	Socket bolt M6 X 8
73	JMBP-00078	1	AW04 Lock washer	96	JMBP-00150	4	Socket bolt M6 X 15
74	JMBP-00086	1	Center Shaft holder	97	JMBP-00151	8	Socket bolt M8 X 20
75	JMBP-00087	1	Control Panel guard	98	JMBP-00152	3	Socket bolt M10 X 55
76	JMBP-00088	1	Foot switch	99	JMBP-00153	4	Socket bolt M10 X 30
77	JMBP-00131	4	M12 spring washer	100	JMBP-00154	4	Socket bolt M8 X 25
78	JMBP-00132	2	M14 spring washer	101	JMBP-00155	2	Socket bolt M8 X 20
79	JMBP-00133	8	Countersunk bolt M10 X 25	102	JMBP-00156	2	Roller washer
80	JMBP-00134	3	Countersunk bolt M10 X 35	103	JMBP-00157	3	M12 Plate washer
81	JMBP-00135	8	Countersunk bolt M10 X 30	104	JMBP-00158	2	M14 Plate washer
82	JMBP-00136	2	Socket bolt M10 X 40	105	JMBP-00159	2	M5 Spring washer
83	JMBP-00137	2	Socket bolt M10 X 65	106	JMBP-00160	4	M8 Plate washer
84	JMBP-00138	3	Countersunk bolt M8 X 35	107	JMBP-00161	4	M8 Spring washer
85	JMBP-00139	9	M10 Nut	108	JMBP-00162	2	Spring pin 6X15
86	JMBP-00140	4	Socket bolt M12 X 20	109	JMBP-00163	2	Round bolt M5 X 80
87	JMBP-00141	1	Socket bolt M12 X 30	110	JMBP-00106	1	Degree Indicator
88	JMBP-00142	2	Socket bolt M12 X 25	111	JMBP-00107	2	Degree Indicator Washer
89	JMBP-00143	2	Hex bolt M14 X 1.5	112	JMBP-00108	1	Degree Indicator Washer
90	JMBP-00144	1	Socket bolt M6 X 15	113	JMBP-00109	1	Degree Indicator Bracket
91	JMBP-00145	4	Truss bolt M5 X 10	114	JMBP-00187	1	Side Cover Right
92	JMBP-00146	4	Truss bolt M4 X 10	BN Products-USA™ Customer Service Email: mail@bnproducts.com Website: www.BNProducts.com Telephone: (800) 992-3833			
93	JMBP-00147	28	Flange bolt M5 X 10				
94	JMBP-00148	1	Countersunk bolt M5 X 10				

JMB-25H Roller Part Numbers

Roller Number	Part Number	Roller Number	Part Number
ROLLER #1 (25) 65MM	JMBP-00065	ROLLER #6 (25) 131MM	JMBP-00071
ROLLER #2 (25) 79MM	JMBP-00067	ROLLER #7 (25) 152MM	JMBP-00066
ROLLER #3 (25) 92MM	JMBP-00068	ROLLER #8 (25) 165MM	JMBP-00079
ROLLER #4 (25) 114MM	JMBP-00069	ROLLER #9 (25) 181MM	JMBP-00080
ROLLER #5 (25) 114MM	JMBP-00070		

BN Products-USA™